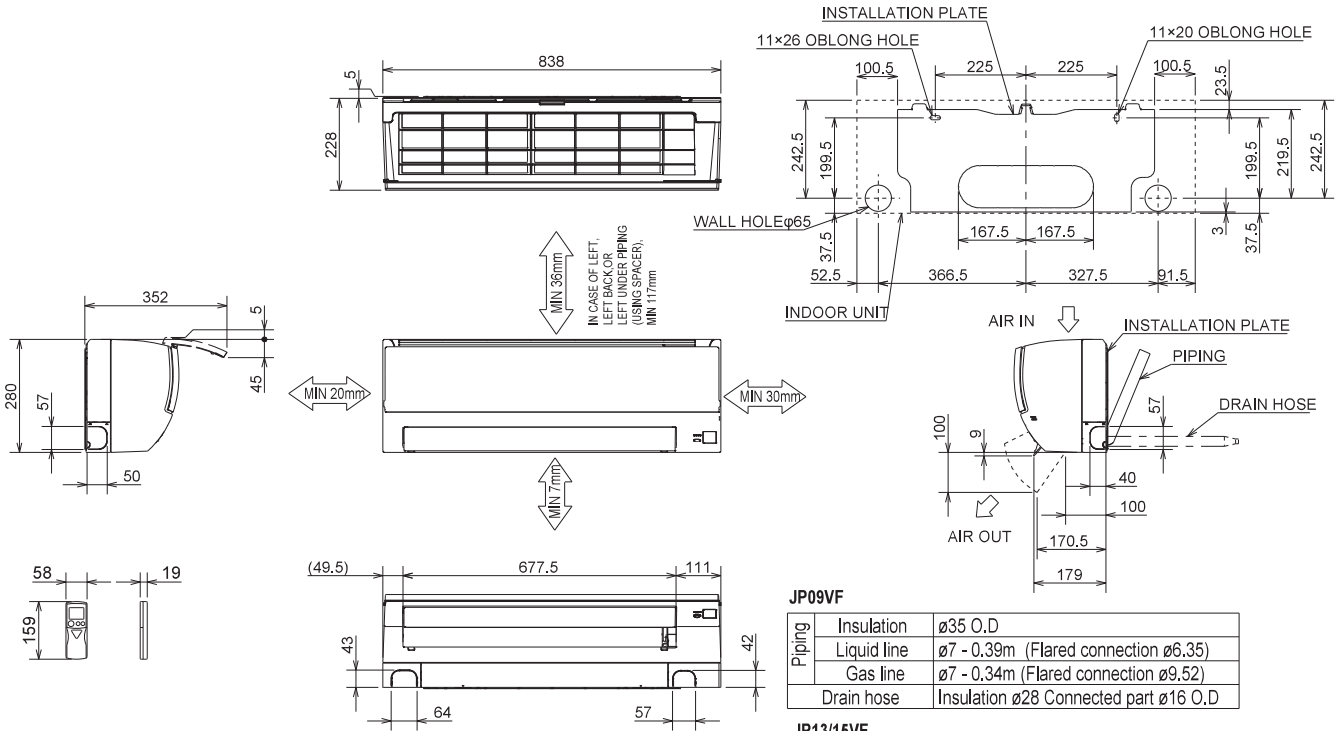


OUTLINES AND DIMENSIONS

MSY-JP09VF MSY-JP13VF MSY-JP15VF MSY-JP18VF

Unit: mm



JP09VF

Piping	Insulation	$\phi 35$ O.D
	Liquid line	$\phi 7 - 0.39\text{m}$ (Flared connection $\phi 6.35$)
	Gas line	$\phi 7 - 0.34\text{m}$ (Flared connection $\phi 9.52$)
	Drain hose	Insulation $\phi 28$ Connected part $\phi 16$ O.D

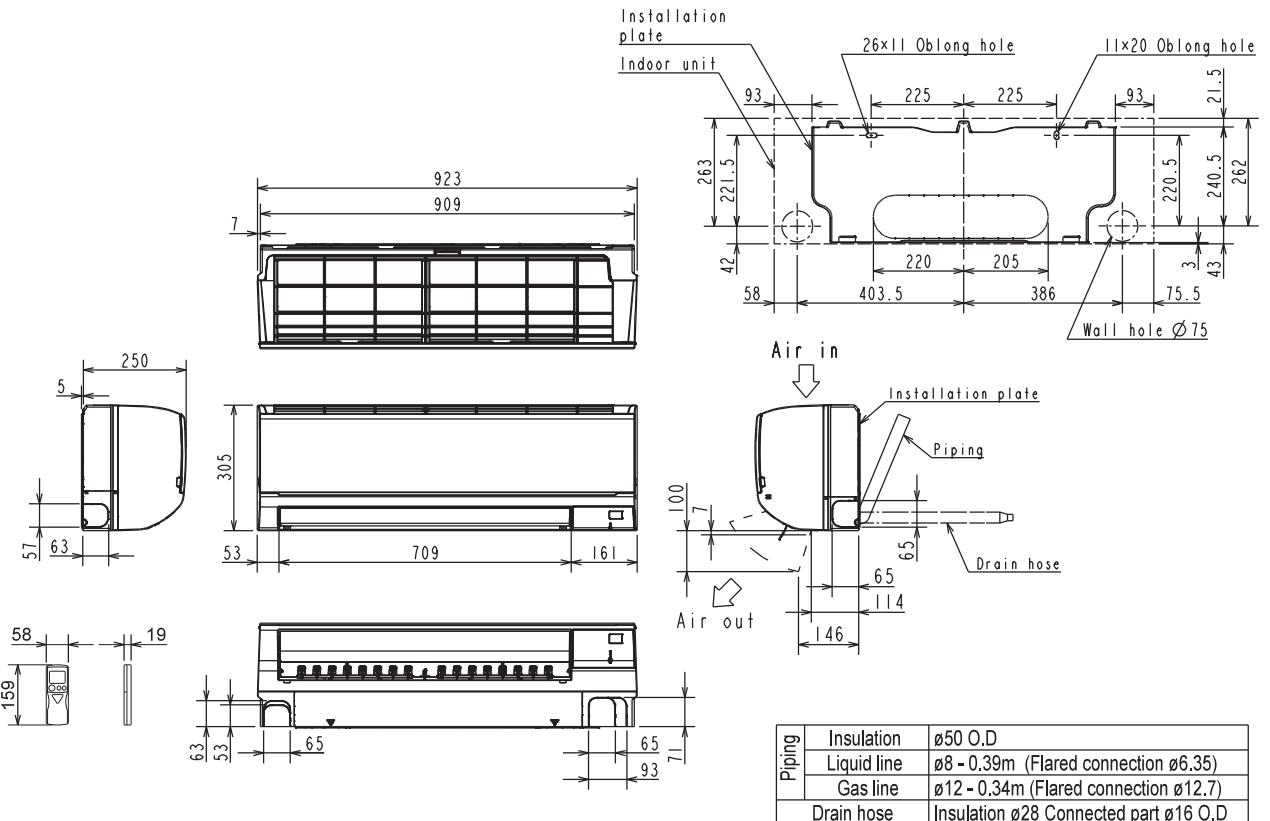
JP13/15VF

Piping	Insulation	$\phi 35$ O.D
	Liquid line	$\phi 7 - 0.39\text{m}$ (Flared connection $\phi 6.35$)
	Gas line	$\phi 9.52 - 0.34\text{m}$ (Flared connection $\phi 9.52$)
	Drain hose	Insulation $\phi 28$ Connected part $\phi 16$ O.D

JP18VF

Piping	Insulation	$\phi 37$ O.D
	Liquid line	$\phi 7 - 0.39\text{m}$ (Flared connection $\phi 6.35$)
	Gas line	$\phi 9.52 - 0.34\text{m}$ (Flared connection $\phi 12.7$)
	Drain hose	Insulation $\phi 28$ Connected part $\phi 16$ O.D

MSY-JP24VF



Piping	Insulation	$\phi 50$ O.D
	Liquid line	$\phi 8 - 0.39\text{m}$ (Flared connection $\phi 6.35$)
	Gas line	$\phi 12 - 0.34\text{m}$ (Flared connection $\phi 12.7$)
	Drain hose	Insulation $\phi 28$ Connected part $\phi 16$ O.D