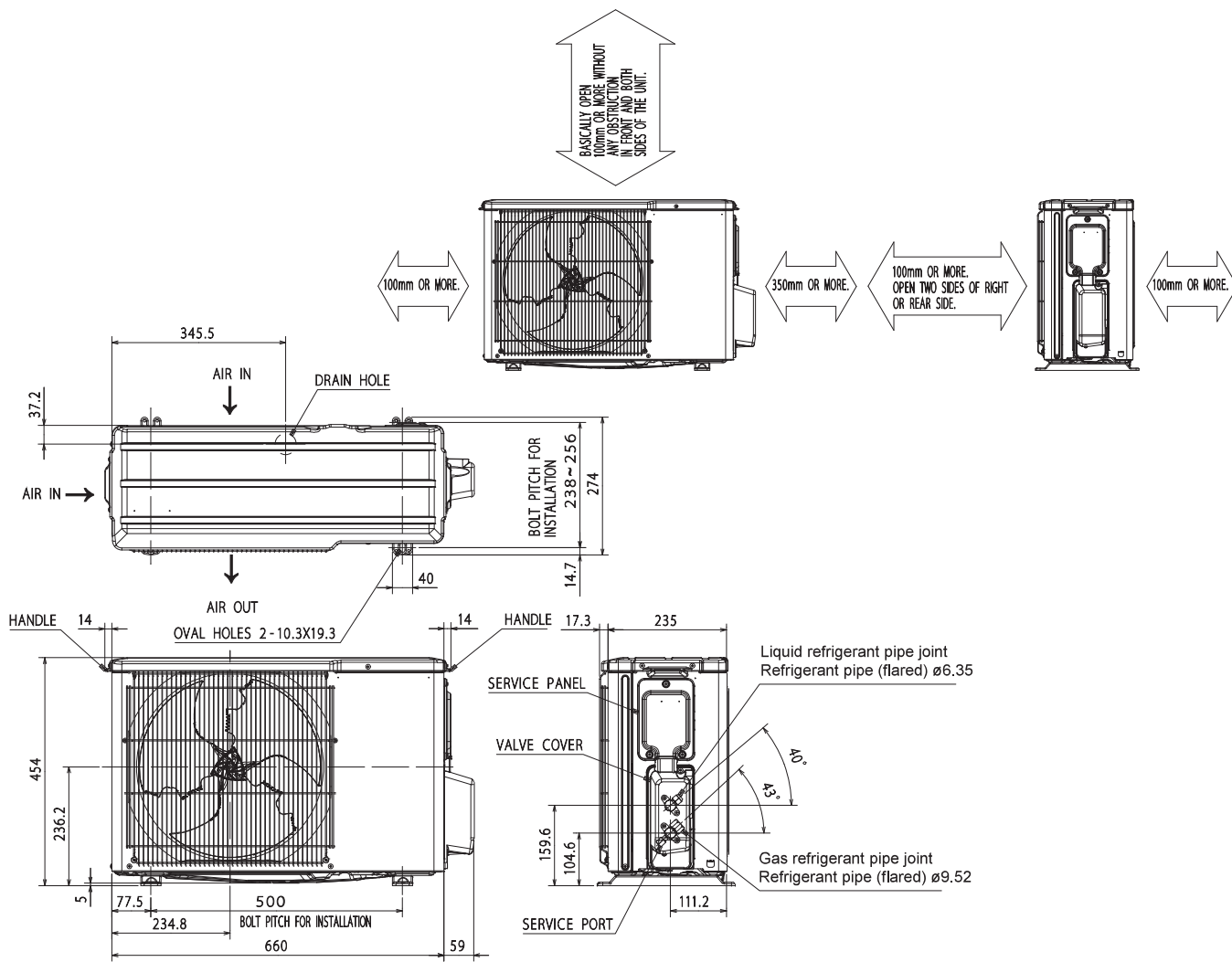


OUTLINES AND DIMENSIONS

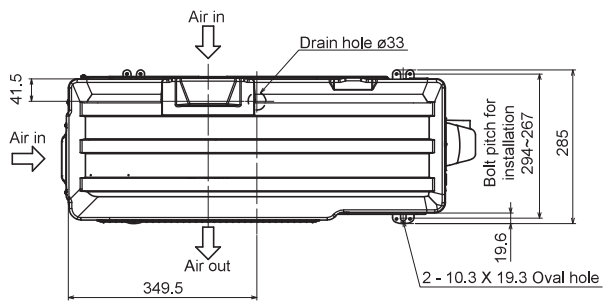
MUY-JP09VF

Unit: mm



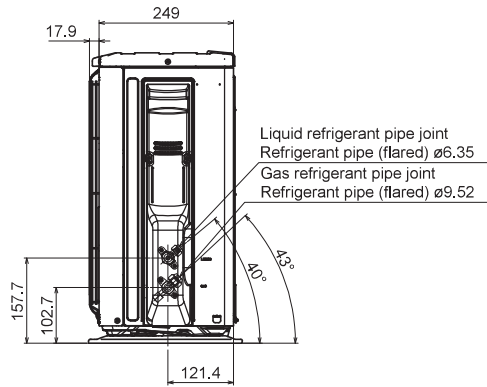
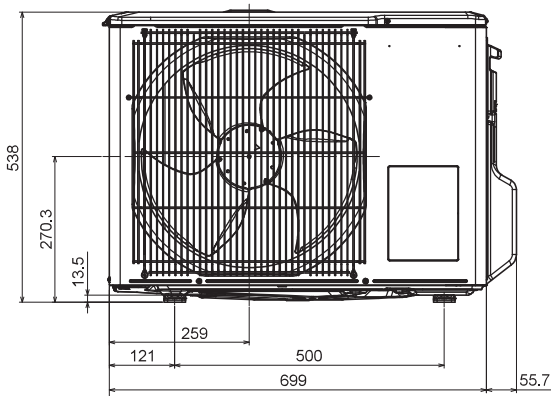
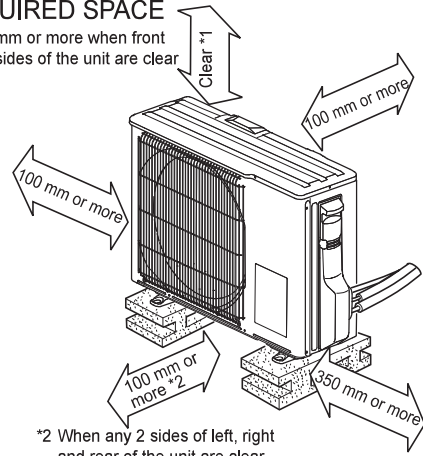
MUY-JP13VF MUY-JP15VF

Unit: mm



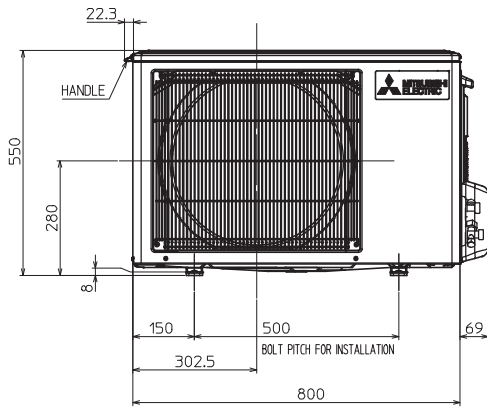
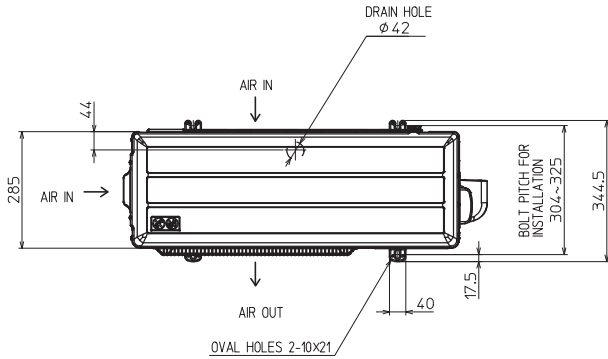
REQUIRED SPACE

*1 100 mm or more when front and sides of the unit are clear



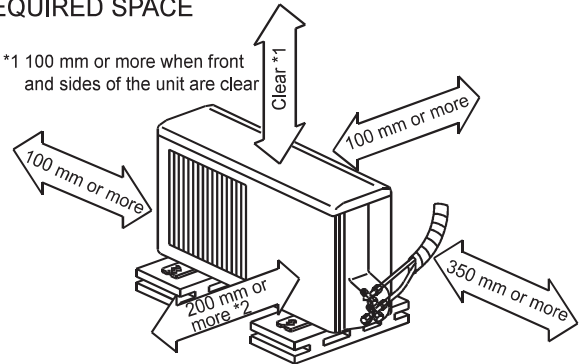
MUY-JP18VF

Unit: mm

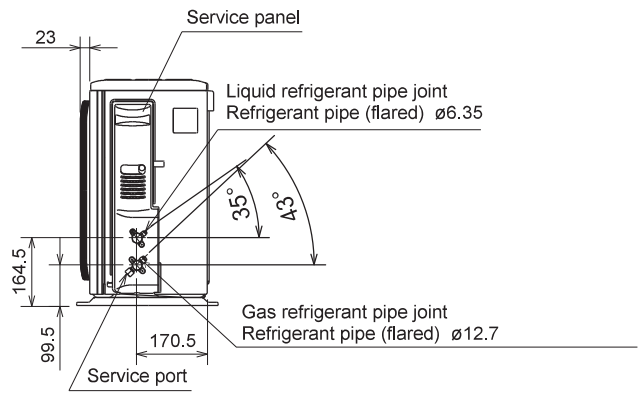


REQUIRED SPACE

*1 100 mm or more when front and sides of the unit are clear

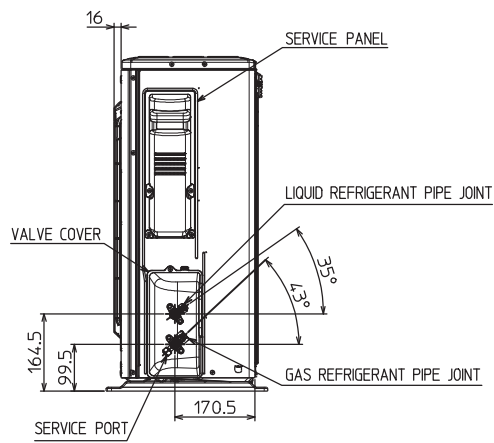
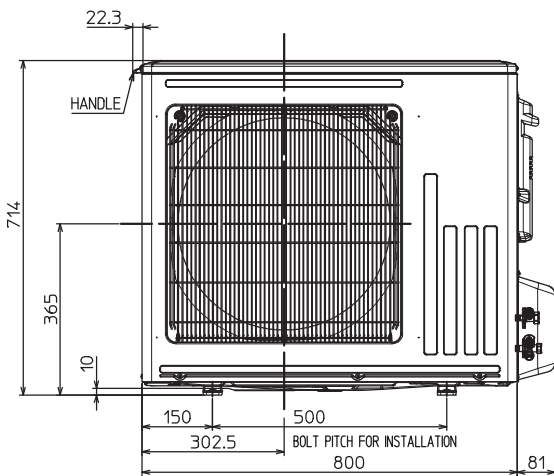
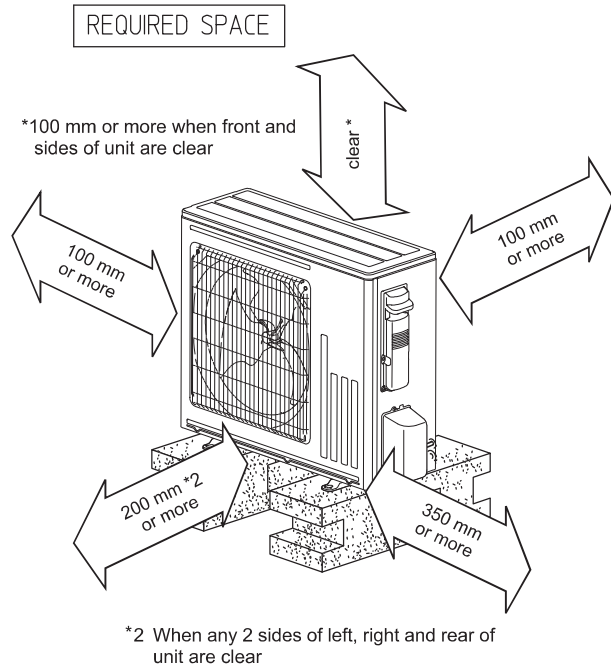
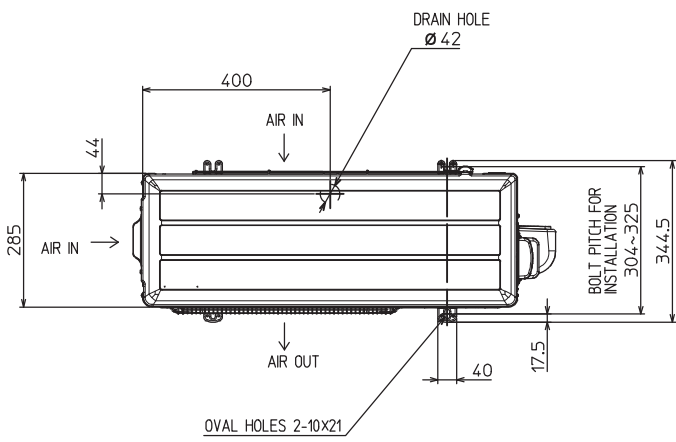


*2 When any 2 sides of left, right and rear of the unit are clear



MUY-JP24VF

Unit: mm



REFRIGERANT PIPE JOINT	LIQUID REFRIGERANT PIPE	FLARED 6.35(1/4")
	GAS REFRIGERANT PIPE	FLARED 12.7(1/2")