

	1.6hp	2hp	2.5hp	3hp	4hp	5hp	6hp	8hp/10hp/12hp/14hp	အရွယ်
Ceiling Cassette PL Series ခုံပေါ်/တံဆွဲ/တံဆွဲ ကနား 4 တံဆွဲ			PL-2.5BAKT 	PL-3BAKT 	PL-4BAKT 	PL-5BAKT 	PL-6BAKT 	 ခုံပေါ်/တံဆွဲ/တံဆွဲ ခုံပေါ်/တံဆွဲ/တံဆွဲ ခုံပေါ်/တံဆွဲ/တံဆွဲ ခုံပေါ်/တံဆွဲ/တံဆွဲ	ကန် 7 ကန် 10 ကန် 11 ကန် 11 ကန် 12 ကန် 13 ကန် 14
2X2 Ceiling Cassette SL Series ခုံပေါ်/တံဆွဲ/တံဆွဲ ကနား 4 တံဆွဲ 2 x 2 ဖြစ်	SL-1.6AAKLT 	SL-2AAKLT 							
Ceiling Suspended PC Series ခုံပေါ်/တံဆွဲ/တံဆွဲ/တံဆွဲ			PC-2.5KAKLT-5 	PC-3KAKLT-5 	PC-4KAKLT 			 ခုံပေါ်/တံဆွဲ/တံဆွဲ ခုံပေါ်/တံဆွဲ/တံဆွဲ ခုံပေါ်/တံဆွဲ/တံဆွဲ ခုံပေါ်/တံဆွဲ/တံဆွဲ ခုံပေါ်/တံဆွဲ/တံဆွဲ	
Ceiling Suspended PC Series ခုံပေါ်/တံဆွဲ/တံဆွဲ/တံဆွဲ				PC-3KAKLT 	PC-4KAKLT 				
Floor Standing PS Series ခုံပေါ်/တံဆွဲ								 ခုံပေါ်/တံဆွဲ/တံဆွဲ ခုံပေါ်/တံဆွဲ/တံဆွဲ ခုံပေါ်/တံဆွဲ/တံဆွဲ ခုံပေါ်/တံဆွဲ/တံဆွဲ ခုံပေါ်/တံဆွဲ/တံဆွဲ	
Ceiling Concealed PE Series ခုံပေါ်/တံဆွဲ/တံဆွဲ ပုံစံတူ/တံဆွဲ/တံဆွဲ								 ခုံပေါ်/တံဆွဲ/တံဆွဲ ခုံပေါ်/တံဆွဲ/တံဆွဲ ခုံပေါ်/တံဆွဲ/တံဆွဲ ခုံပေါ်/တံဆွဲ/တံဆွဲ ခုံပေါ်/တံဆွဲ/တံဆွဲ	
Compact Ceiling Concealed SE Series ခုံပေါ်/တံဆွဲ/တံဆွဲ ပုံစံတူ/တံဆွဲ/တံဆွဲ	SE-1.6AAKT 	SE-2AAKT 	SE-2.5AAKT SE-2.5AAKLT (L : ခုံပေါ်/တံဆွဲ/တံဆွဲ)						

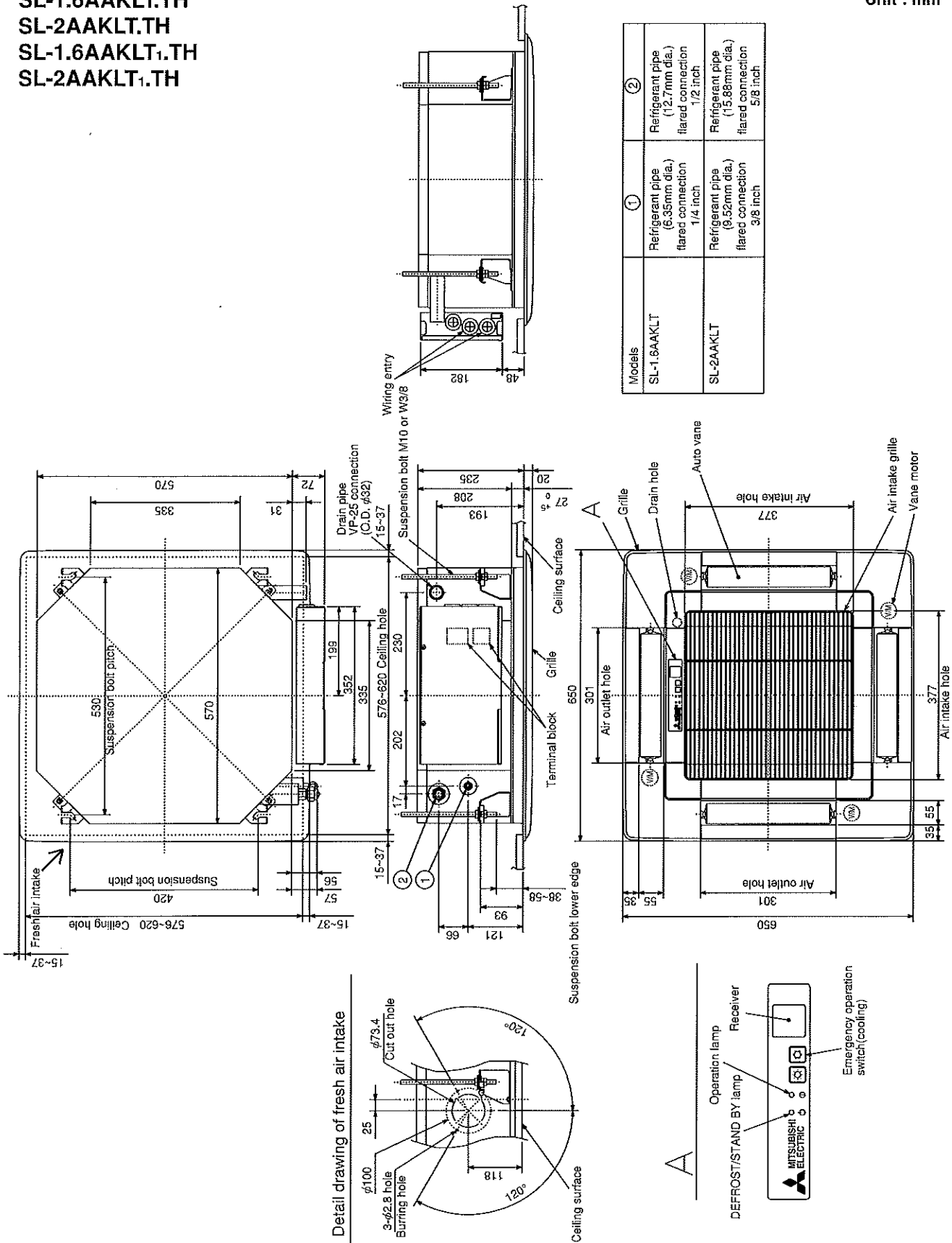
OUTDOOR UNIT ခုံပေါ်/တံဆွဲ/တံဆွဲ/တံဆွဲ	 SU-1.6AAKT	 SU-2AAKT	 SU-2.5AAKT (စီစဉ် SE-2.5AAKT) SU-2.5AAKLT (စီစဉ် SE-2.5AAKT)	 PU-3VAKD-5 (စီစဉ် PC-3VAKLT-5) PU-3VAKD	 PU-4VAKD-5 (စီစဉ် PC-4VAKLT-5) PU-4VAKD	 PU-5VAKD	 PU-6VAKD		
--	-----------------------	---------------------	---	---	---	---------------------	---------------------	--	--

4

OUTLINES AND DIMENSIONS

SL-1.6AAKLT.TH
 SL-2AAKLT.TH
 SL-1.6AAKLT₁.TH
 SL-2AAKLT₁.TH

Unit : mm



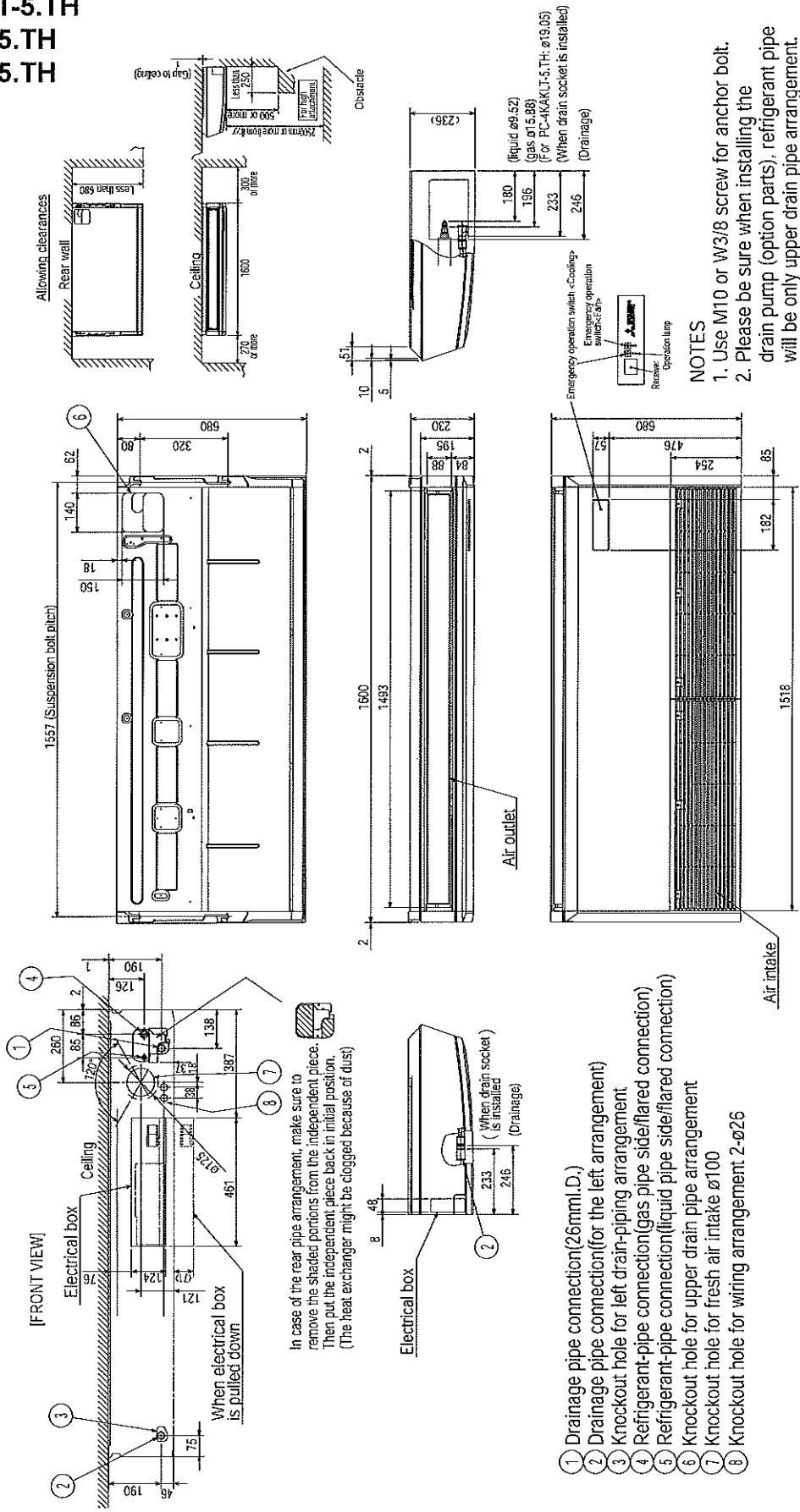
Models	①	②
SL-1.6AAKLT	Refrigerant pipe (6.35mm dia.) flared connection 1/4 inch	Refrigerant pipe (12.7mm dia.) flared connection 1/2 inch
SL-2AAKLT	Refrigerant pipe (9.52mm dia.) flared connection 3/8 inch	Refrigerant pipe (15.88mm dia.) flared connection 5/8 inch

5

OUTLINES AND DIMENSIONS

PC-2.5KAKLT-5.TH
 PC-3KAKLT-5.TH
 PC-4KAKLT-5.TH

Unit : mm



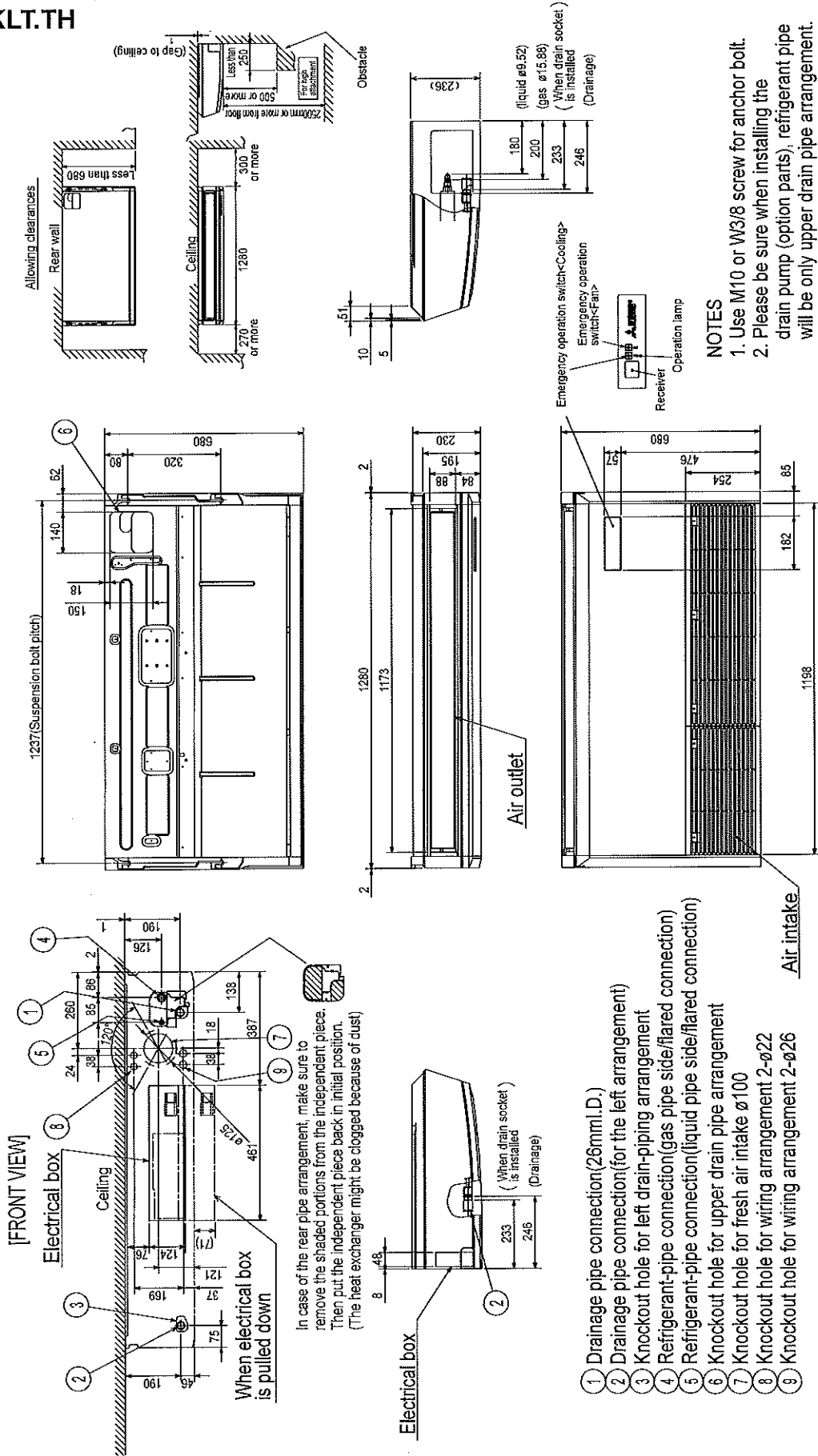
In case of the rear pipe arrangement, make sure to remove the shaded portions from the independent piece. Then put the independent piece back in initial position. (The heat exchanger might be clogged because of dust)

- ① Drainage pipe connection(26mm I.D.)
- ② Drainage pipe connection(for the left arrangement)
- ③ Knockout hole for left drain-piping arrangement
- ④ Refrigerant-pipe connection(gas pipe side/flared connection)
- ⑤ Refrigerant-pipe connection(liquid pipe side/flared connection)
- ⑥ Knockout hole for upper drain pipe arrangement
- ⑦ Knockout hole for fresh air intake ø100
- ⑧ Knockout hole for wiring arrangement 2-ø26

NOTES
 1. Use M10 or W3/8 screw for anchor bolt.
 2. Please be sure when installing the drain pump (option parts), refrigerant pipe will be only upper drain pipe arrangement.

PC-3KAKLT.TH

Unit : mm

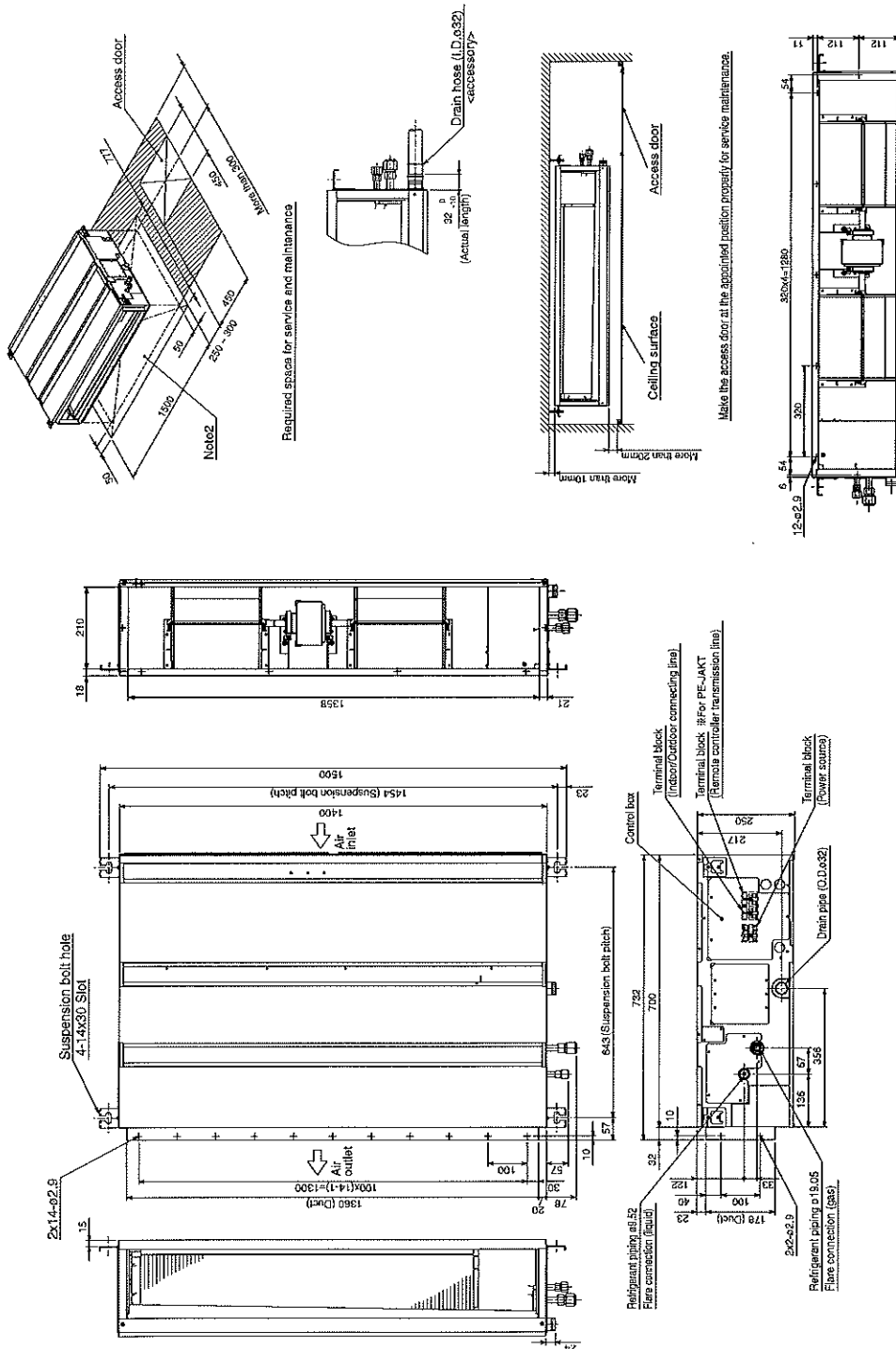


- ① Drainage pipe connection (26mm I.D.)
- ② Drainage pipe connection (for the left arrangement)
- ③ Knockout hole for left drain-piping arrangement
- ④ Refrigerant-pipe connection (gas pipe side/flared connection)
- ⑤ Refrigerant-pipe connection (liquid pipe side/flared connection)
- ⑥ Knockout hole for upper drain pipe arrangement
- ⑦ Knockout hole for fresh air intake ø100
- ⑧ Knockout hole for wiring arrangement 2-ø22
- ⑨ Knockout hole for wiring arrangement 2-ø26

6 OUTLINES & DIMENSIONS

INDOOR UNIT PE-4,5,6JAK(L)T

DIM. mm



- NOTE 1. Use M10 screw for the Suspension bolt (field supply).
 2. Keep the service space for the maintenance at the bottom.
 3. In case of the inlet duct is used, remove the air filter (supply with the unit), then install the filter (field supply) at suction side.

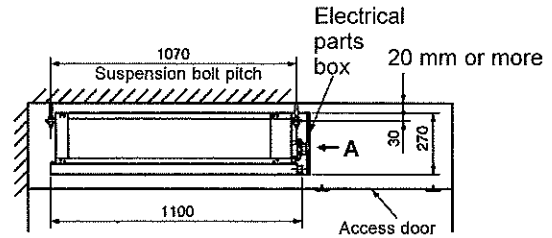
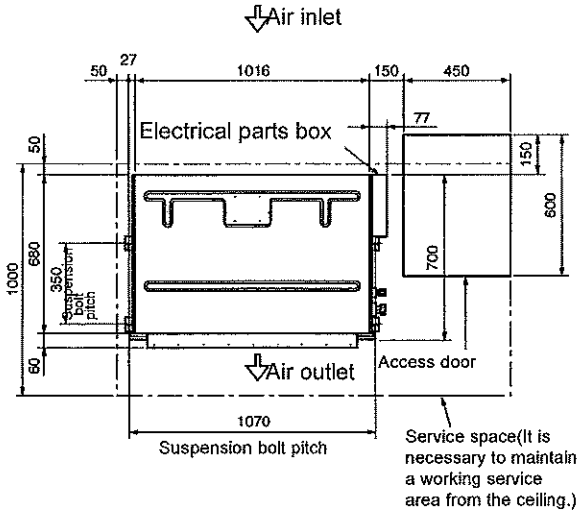
4

OUTLINES AND DIMENSIONS

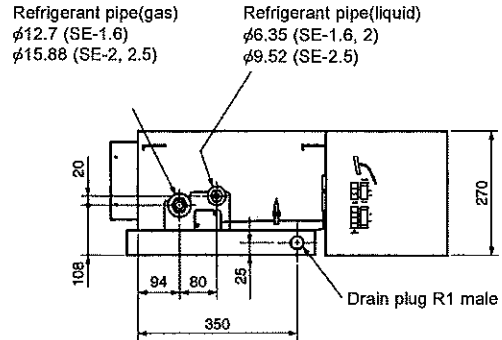
SE-1.6AAK.TH SE-2AAK.TH SE-2.5AAK.TH
 SE-1.6AAKL.TH SE-2AAKL.TH SE-2.5AAKL.TH

Unit : mm

INDOOR UNIT



View A

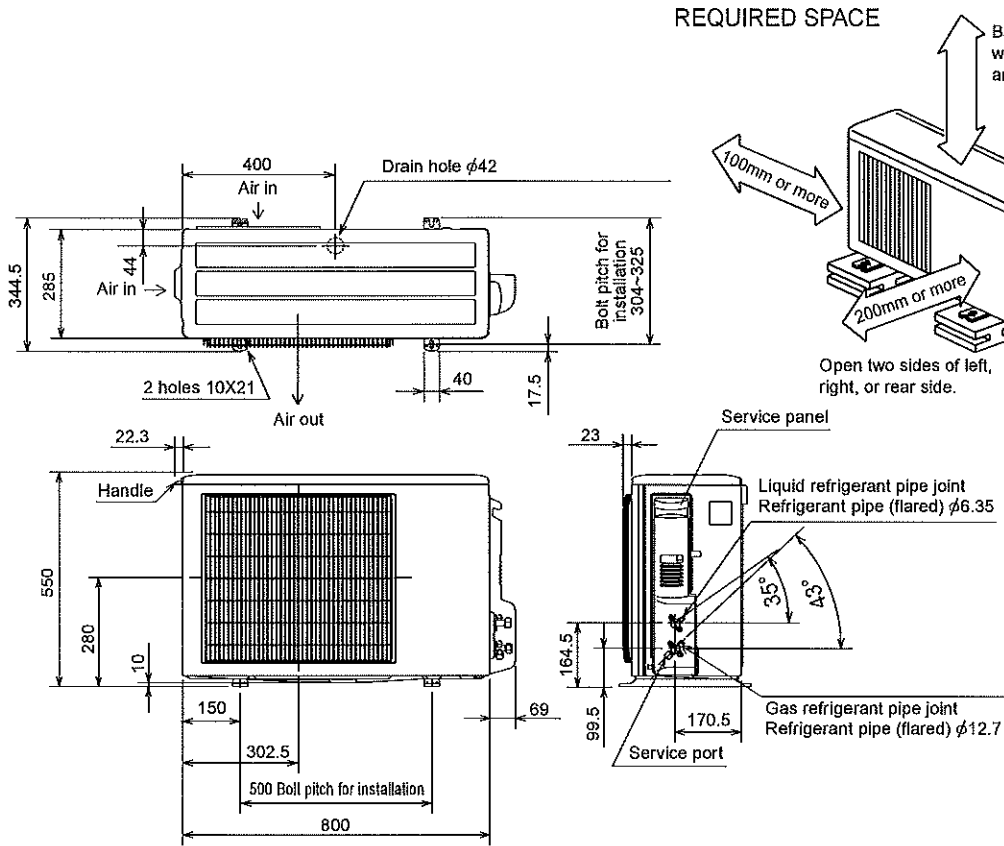


5

OUTLINES AND DIMENSIONS

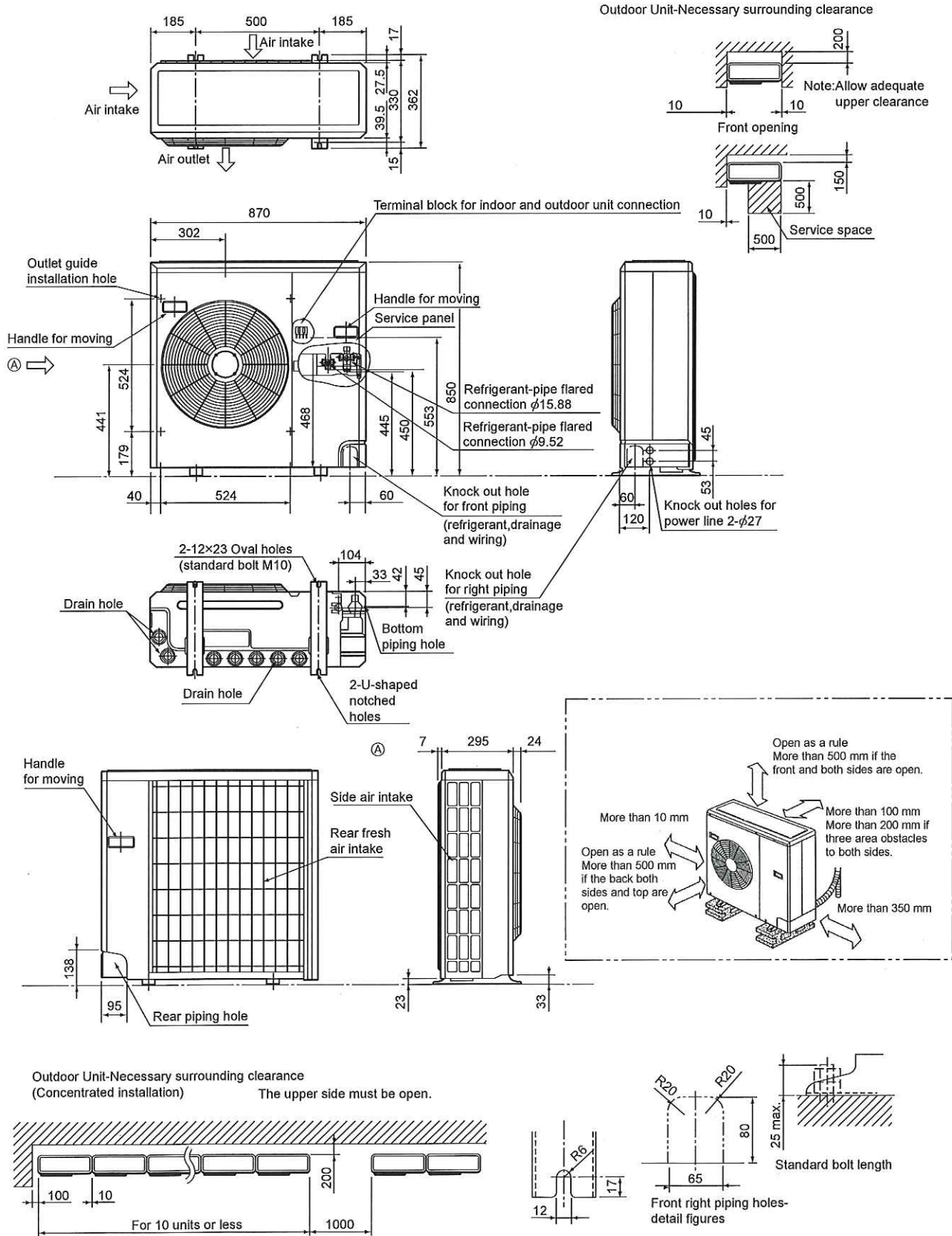
SU-1.6VAAKT.TH

Unit: mm



SU-2VAAKT.TH
SU-2.5VAAKT.TH

Unit: mm



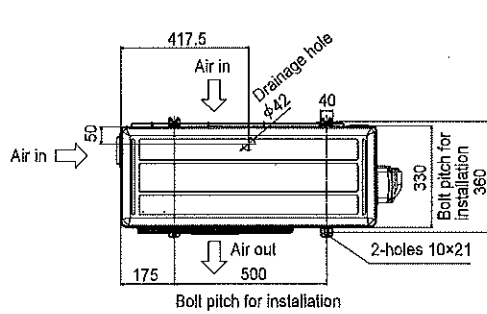
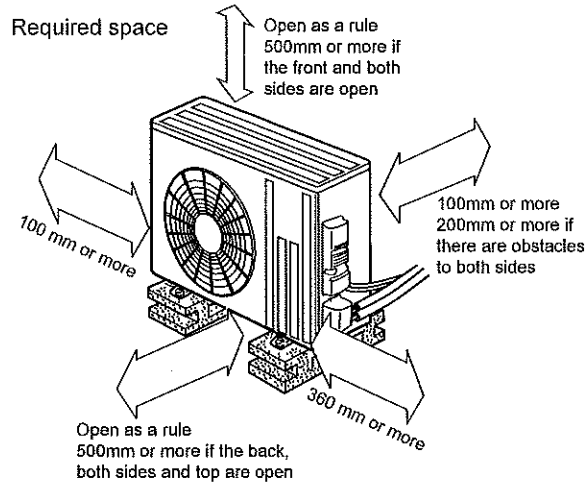
5

OUTLINES AND DIMENSIONS

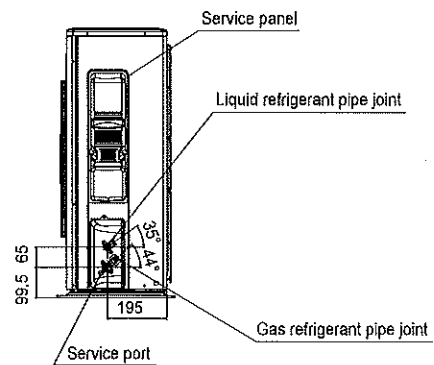
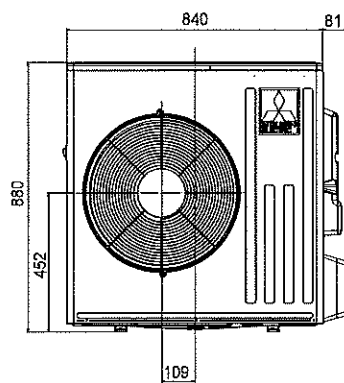
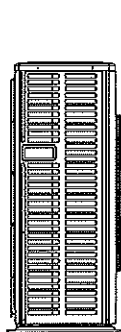
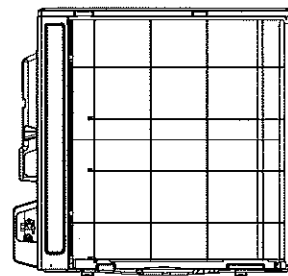
OUTDOOR UNIT

PU-2.5VAKD-5.TH-T

Unit: mm



Rear view



Piping size O.D. mm(in)	
Gas	Liquid
φ15.88(5/8)	φ9.52(3/8)

