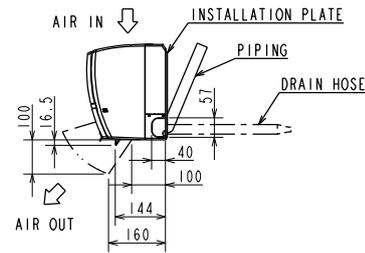
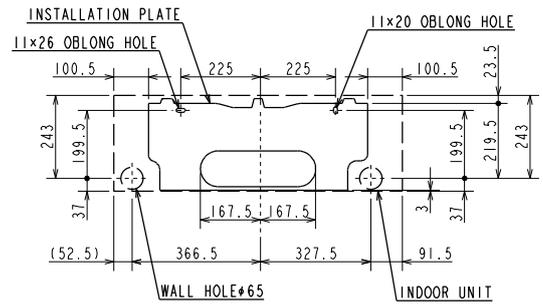
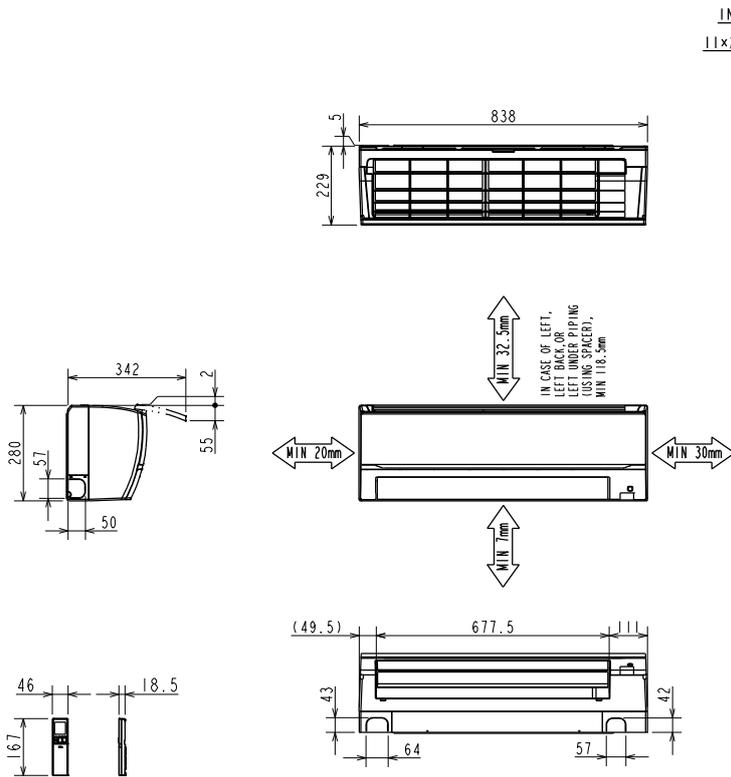


# 5

# OUTLINES AND DIMENSIONS

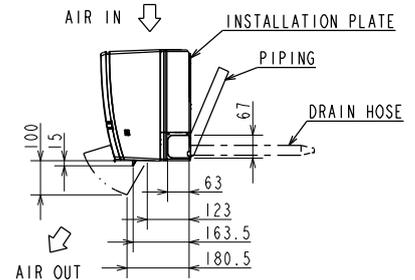
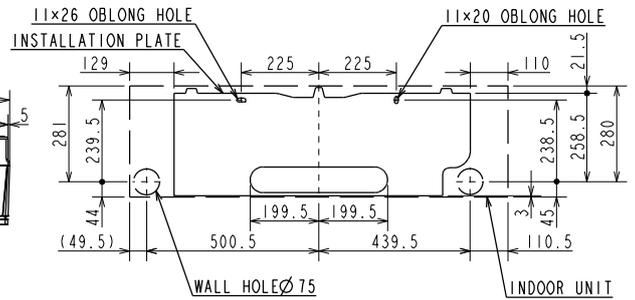
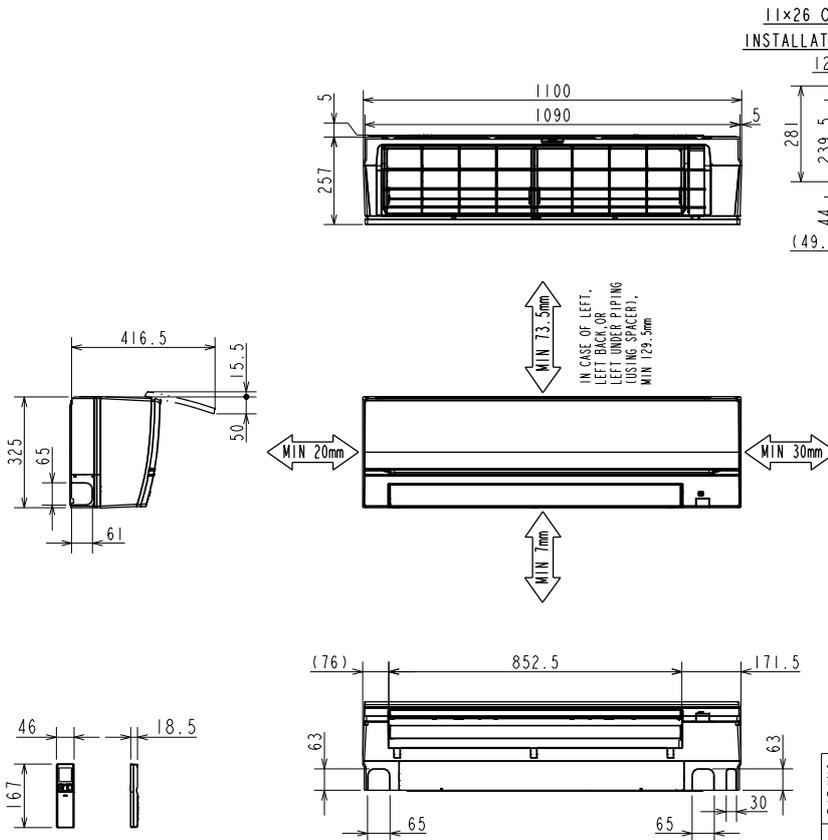
MSY-GR09VF MSY-GR13VF MSY-GR15VF

Unit: mm



INSULATION	$\phi$ 37 O.D
LIQUID LINE	$\phi$ 7 - 0.39m (FLARED CONNECTION $\phi$ 6.35)
GAS LINE	$\phi$ 9.52 - 0.34m (FLARED CONNECTION $\phi$ 9.52)
DRAIN HOSE	INSULATION $\phi$ 29 CONNECTED PART $\phi$ 16 O.D

MSY-GR18VF MSY-GR24VF MSY-GR30VF



MSY-GR18/24VF

INSULATION	$\phi$ 50 O.D
LIQUID LINE	$\phi$ 9.52 - 0.5m (FLARED CONNECTION $\phi$ 6.35)
GAS LINE	$\phi$ 12 - 0.45m (FLARED CONNECTION $\phi$ 12.7)
DRAIN HOSE	INSULATION $\phi$ 29 CONNECTED PART $\phi$ 16 O.D

MSY-GR30VF

INSULATION	$\phi$ 50 O.D
LIQUID LINE	$\phi$ 9.52 - 0.5m (FLARED CONNECTION $\phi$ 6.35)
GAS LINE	$\phi$ 12 - 0.45m (FLARED CONNECTION $\phi$ 15.88)
DRAIN HOSE	INSULATION $\phi$ 29 CONNECTED PART $\phi$ 16 O.D