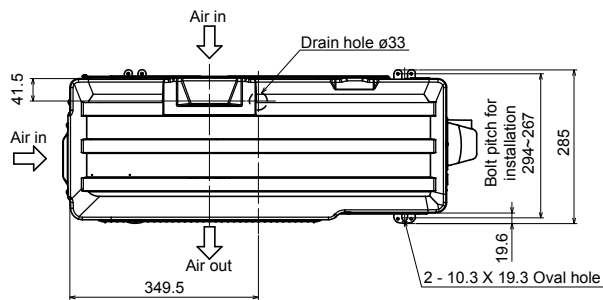


6

OUTLINES AND DIMENSIONS

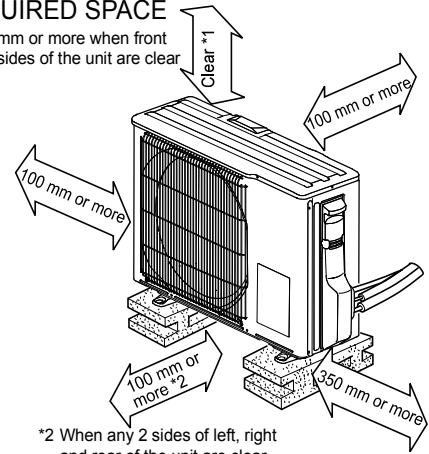
MUY-GR09VF MUY-GR13VF

Unit: mm (inch)

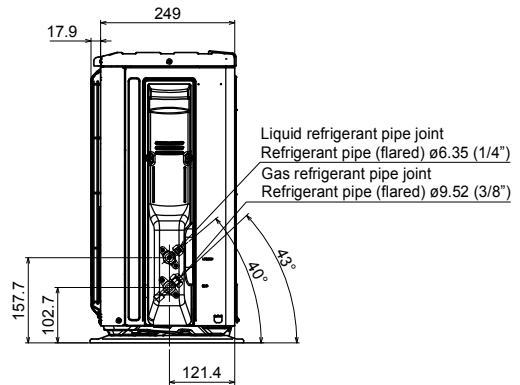
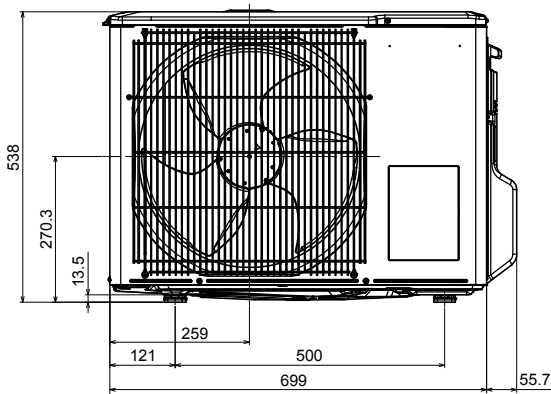


REQUIRED SPACE

*1 100 mm or more when front and sides of the unit are clear

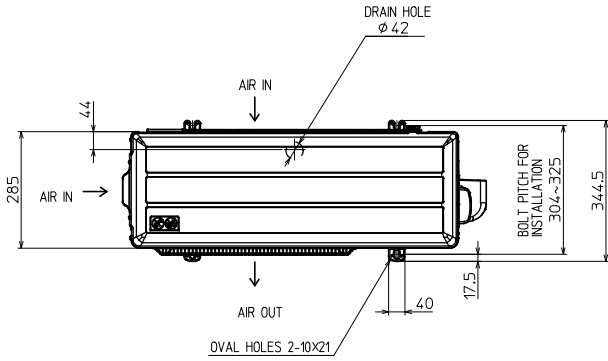


*2 When any 2 sides of left, right and rear of the unit are clear

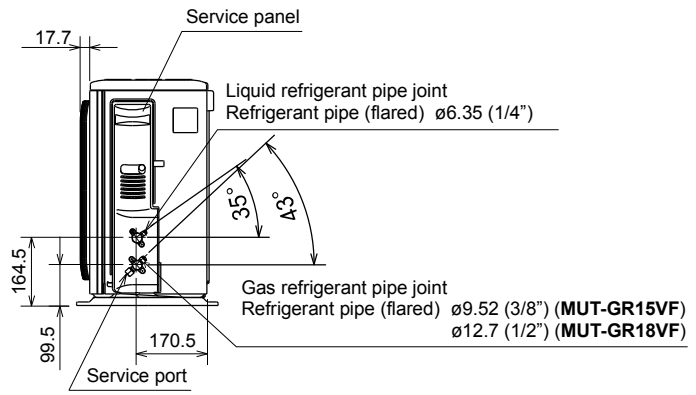
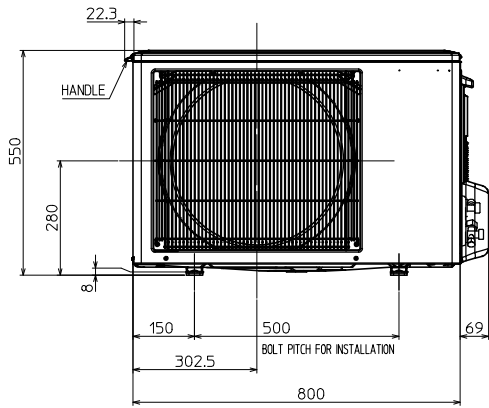
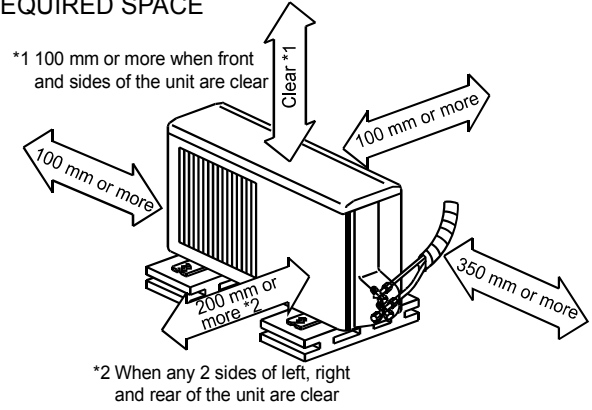


MUY-GR15VF MUY-GR18VF

Unit: mm (inch)

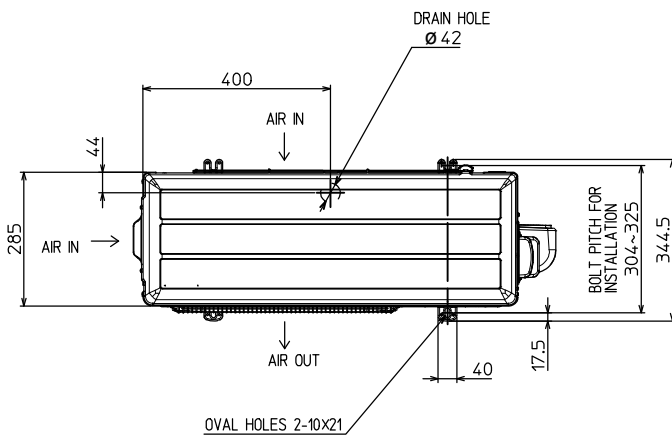


REQUIRED SPACE

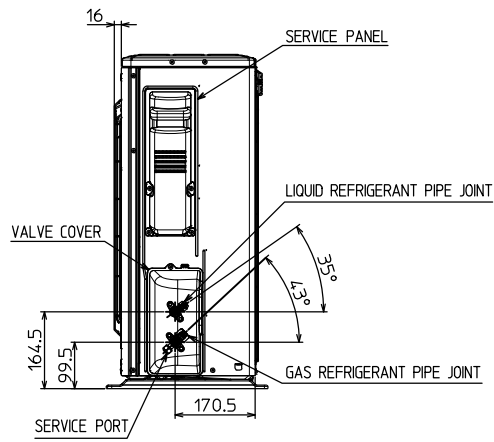
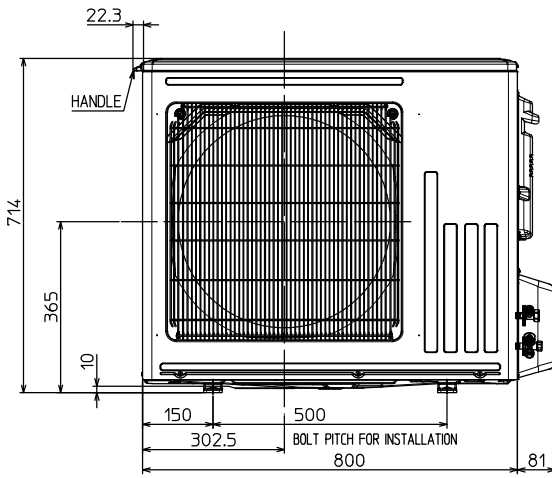
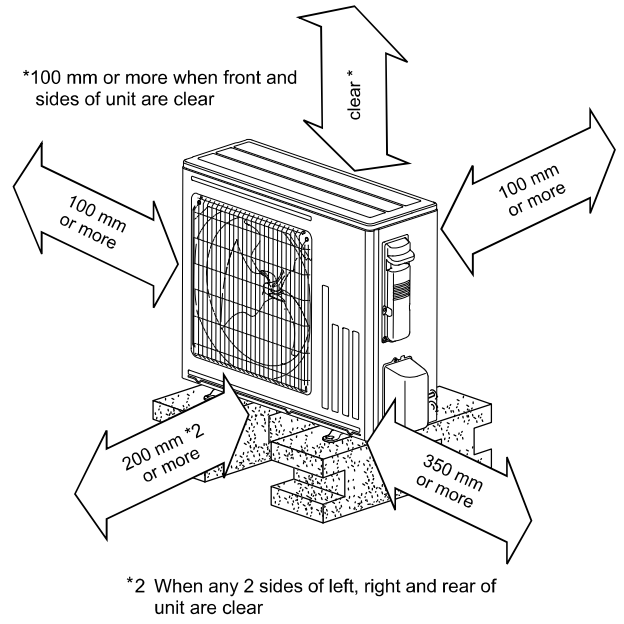


MUY-GR24VF

Unit: mm (inch)



REQUIRED SPACE

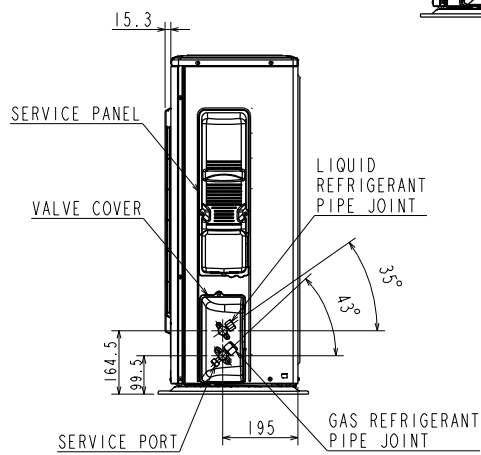
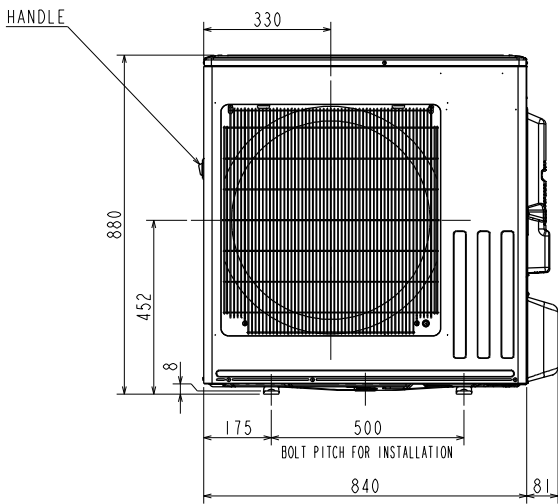
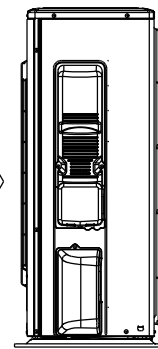
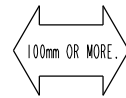
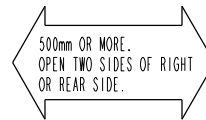
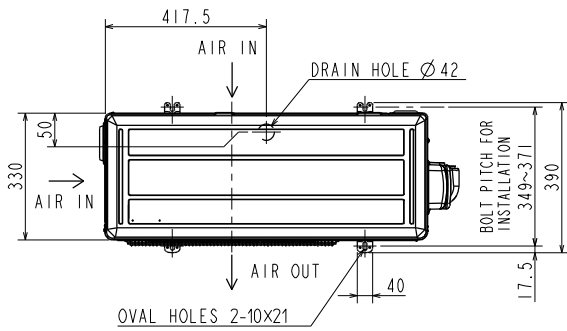
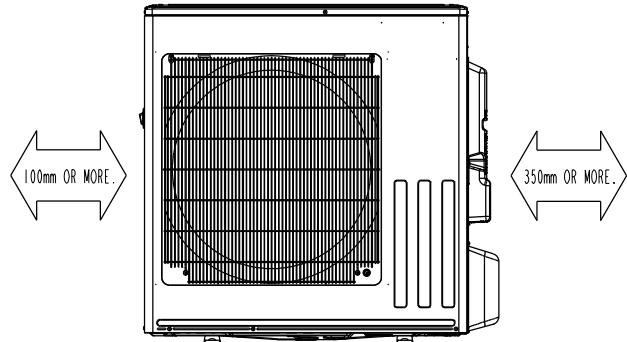
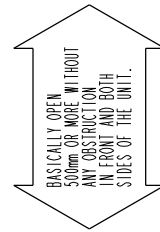


REFRIGERANT PIPE JOINT	LIQUID REFRIGERANT PIPE	FLARED 6.35(1/4")
	GAS REFRIGERANT PIPE	FLARED 12.7(1/2")

MUY-GR30VF

Unit: mm (inch)

REQUIRED SPACE



REFRIGERANT PIPE JOINT	LIQUID REFRIGERANT PIPE	FLARED $\varnothing 6.35$ (1/4")
	GAS REFRIGERANT PIPE	FLARED $\varnothing 15.88$ (5/8")