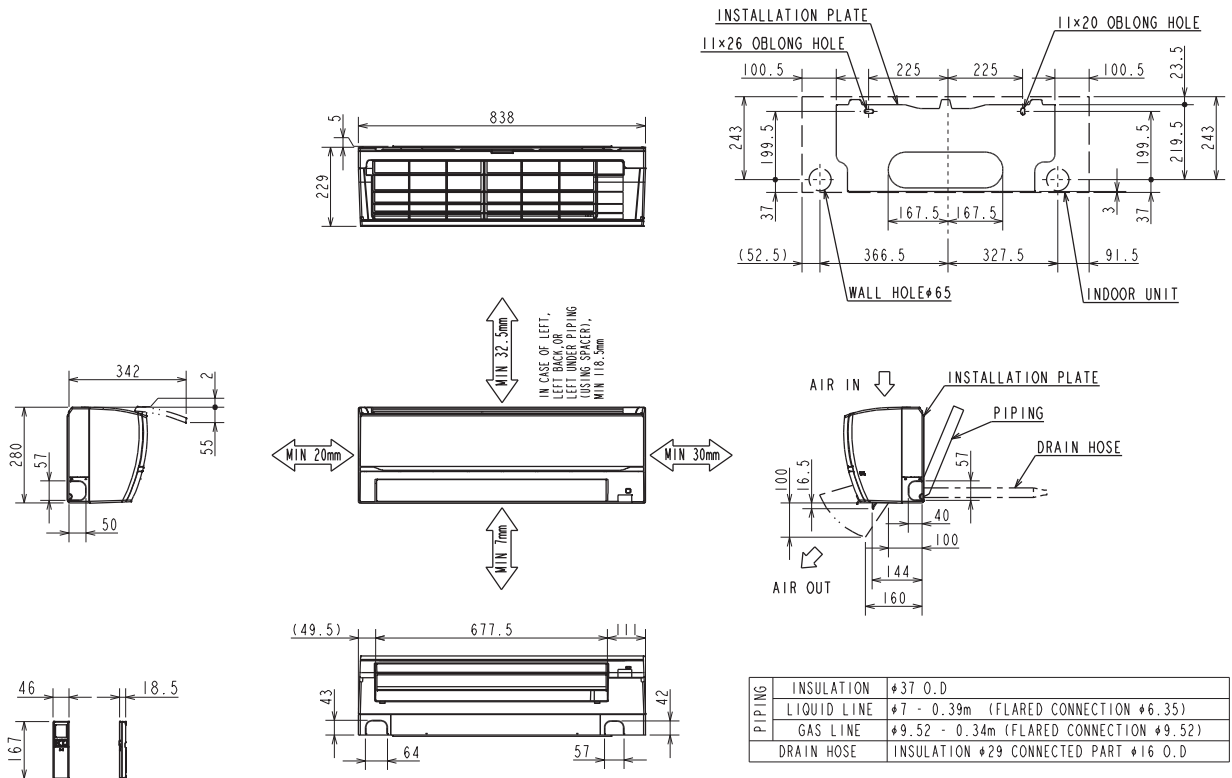


5

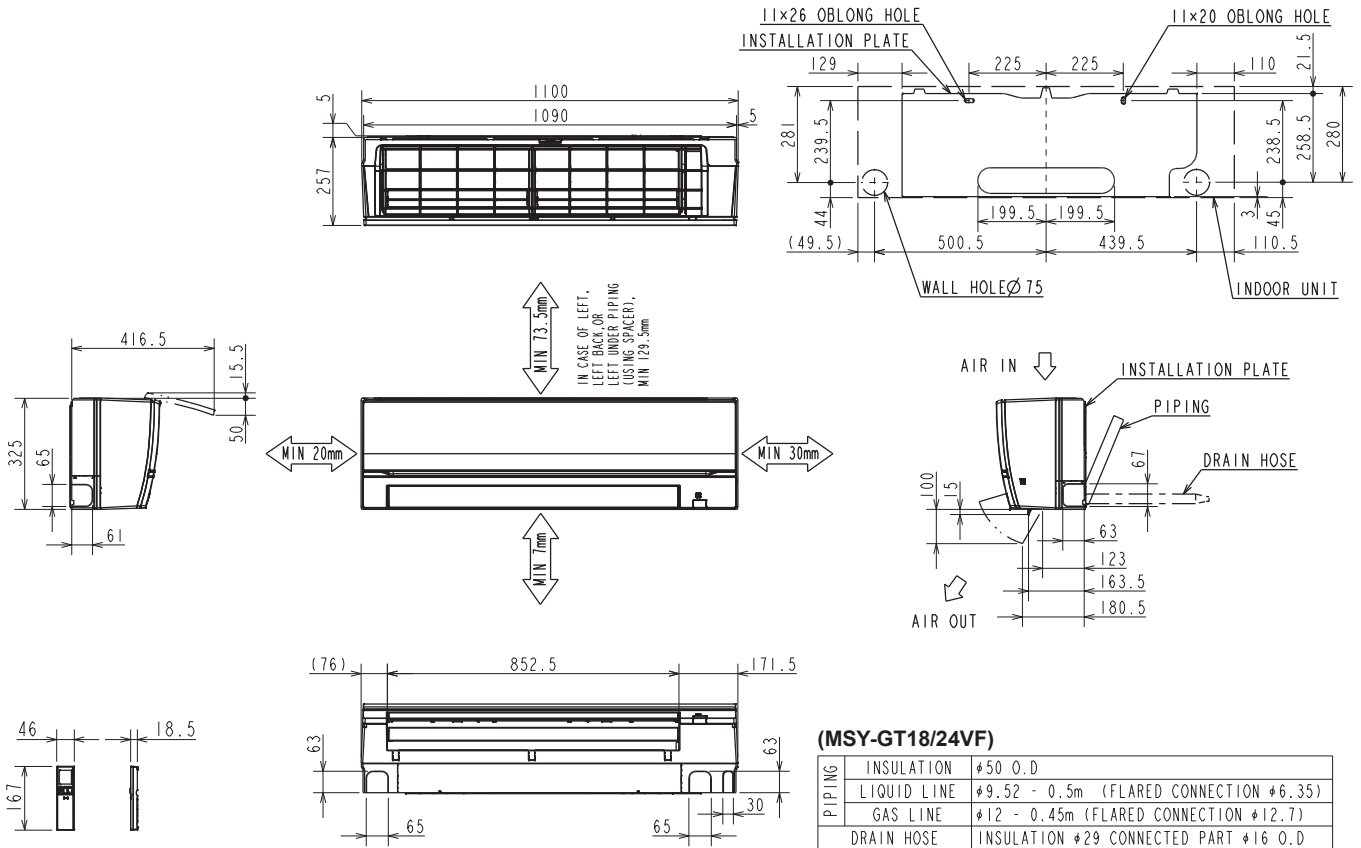
OUTLINES AND DIMENSIONS

MSY-GT09VF MSY-GT13VF MSY-GT15VF

Unit: mm



MSY-GT18VF MSY-GT24VF MSY-GT30VF



(MSY-GT18/24VF)

INSULATION	φ50 O.D
LIQUID LINE	φ9.52 - 0.5m (FLARED CONNECTION φ6.35)
GAS LINE	φ12 - 0.45m (FLARED CONNECTION φ12.7)
DRAIN HOSE	INSULATION φ29 CONNECTED PART φ16 O.D

(MSY-GT30VF)

INSULATION	φ50 O.D
LIQUID LINE	φ9.52 - 0.5m (FLARED CONNECTION φ6.35)
GAS LINE	φ12 - 0.45m (FLARED CONNECTION φ15.88)
DRAIN HOSE	INSULATION φ29 CONNECTED PART φ16 O.D