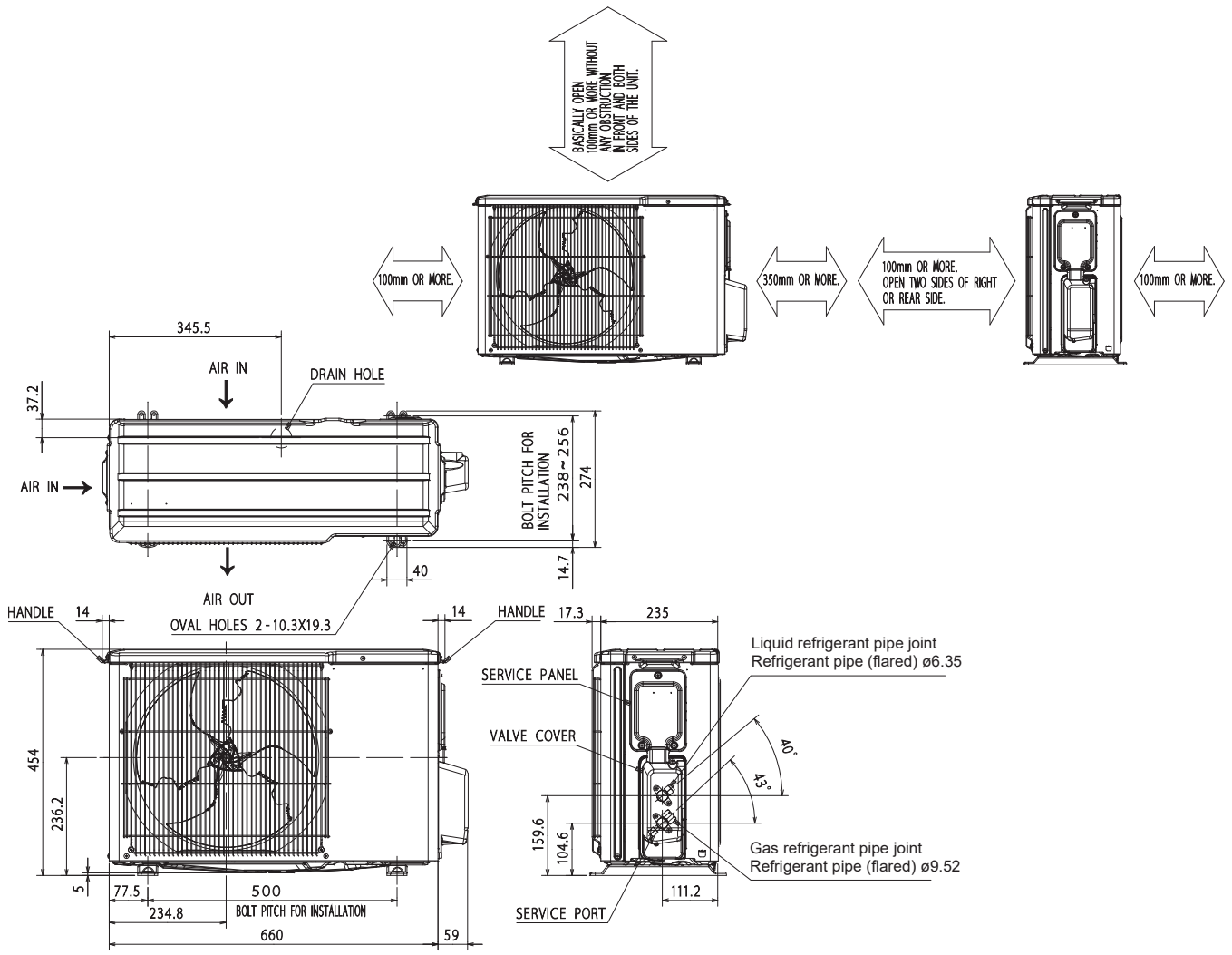


# 6

# OUTLINES AND DIMENSIONS

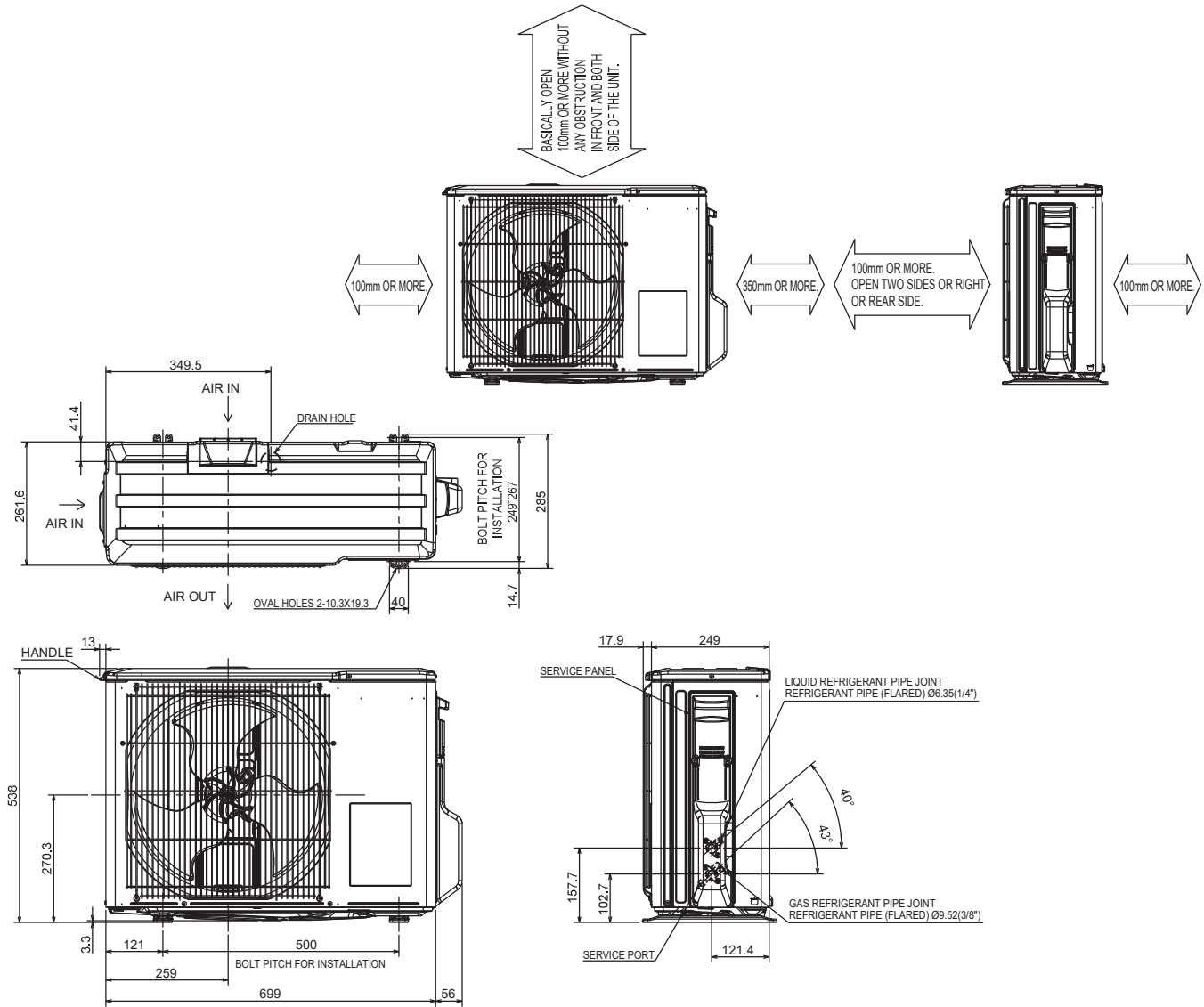
MUY-GT09VF

Unit: mm



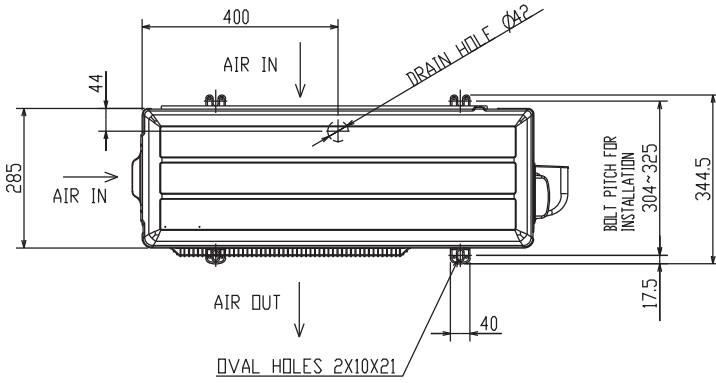
# MUY-GT13VF

Unit: mm (inch)

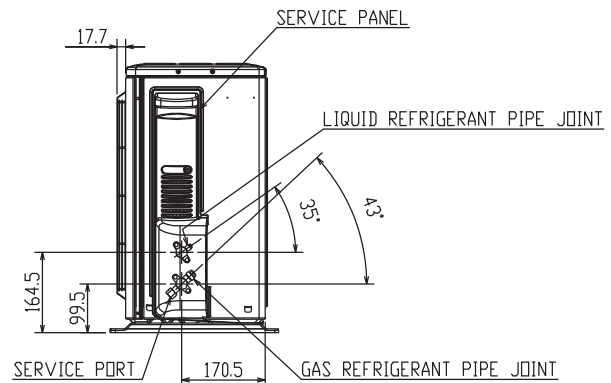
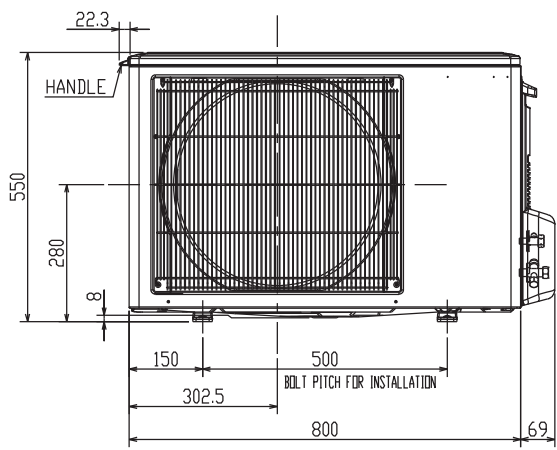
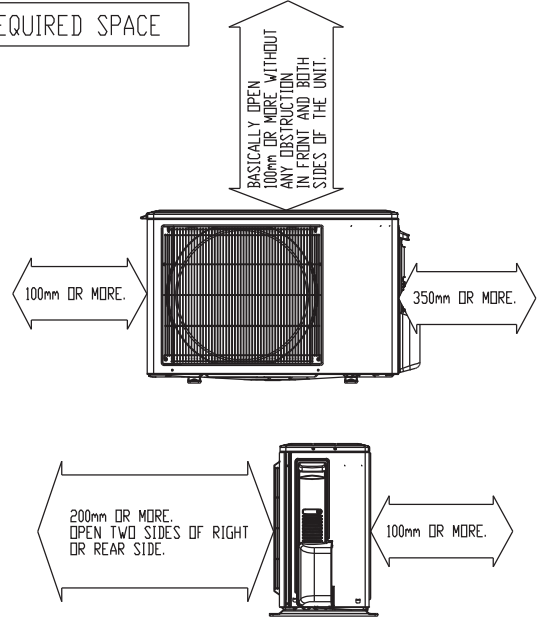


MUY-GT15VF MUY-GT18VF

Unit: mm (inch)



REQUIRED SPACE



(MUY-GT15VF)

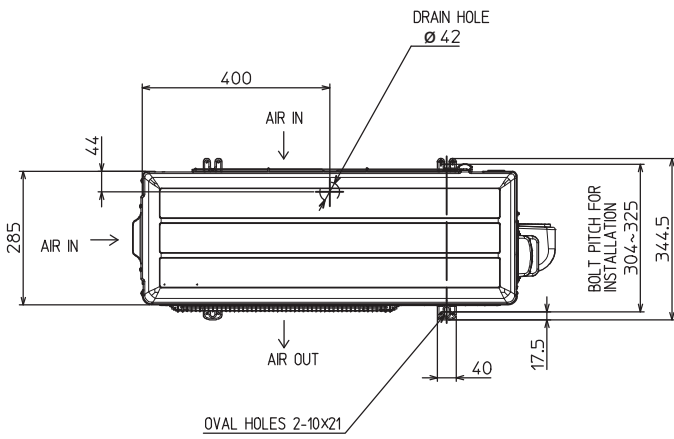
REFRIGERANT PIPE JOINT	LIQUID REFRIGERANT PIPE	FLARED 6.35(1/4")
	GAS REFRIGERANT PIPE	FLARED 9.52(3/8")

(MUY-GT18VF)

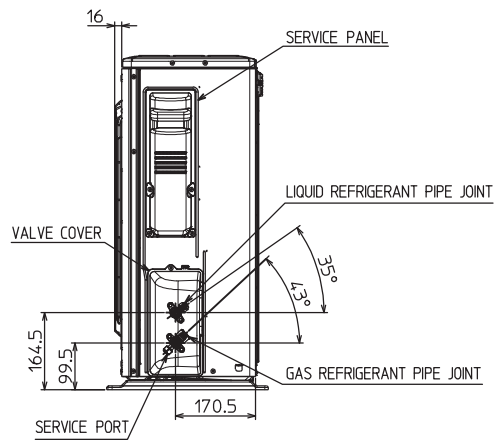
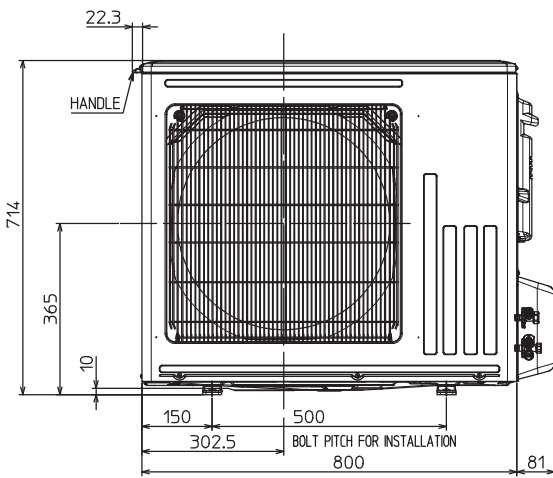
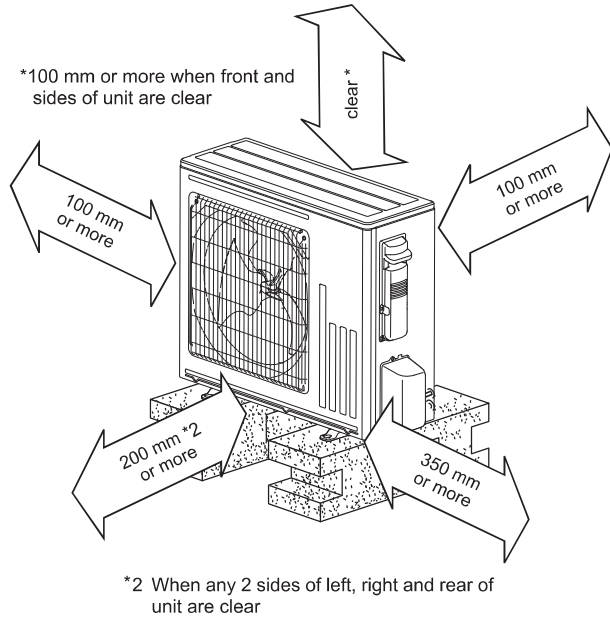
REFRIGERANT PIPE JOINT	LIQUID REFRIGERANT PIPE	FLARED 6.35(1/4")
	GAS REFRIGERANT PIPE	FLARED 12.7(1/2")

# MUY-GT24VF

Unit: mm (inch)



## REQUIRED SPACE



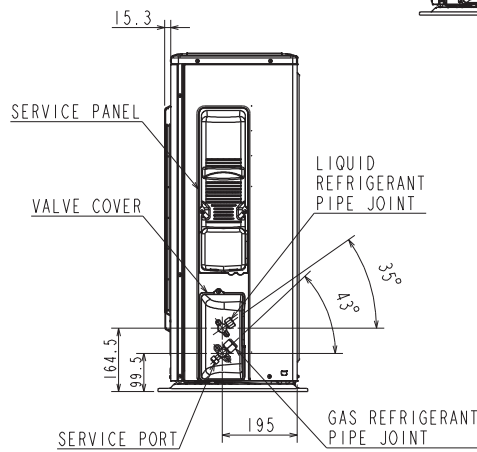
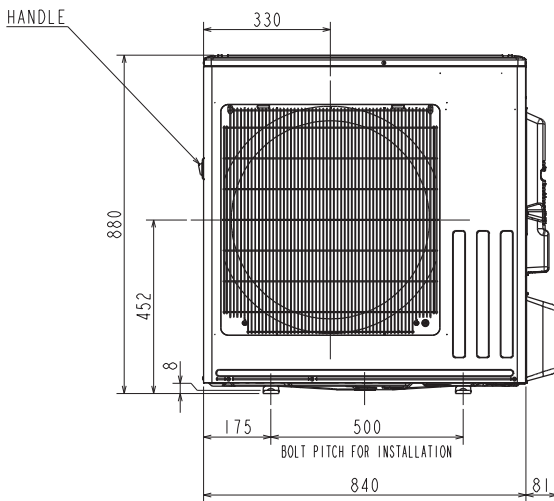
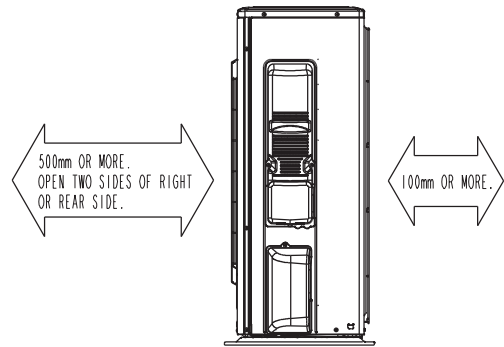
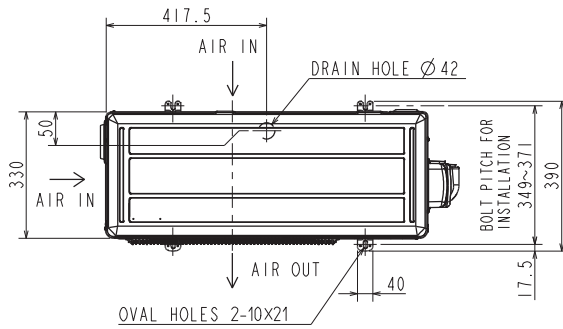
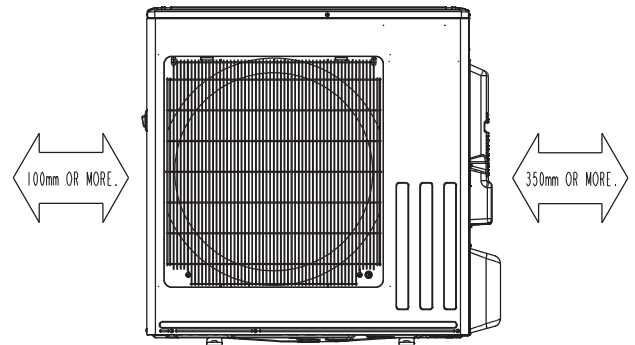
REFRIGERANT PIPE JOINT	LIQUID REFRIGERANT PIPE	FLARED 6.35(1/4")
	GAS REFRIGERANT PIPE	FLARED 12.7(1/2")

MUY-GT30VF

Unit: mm (inch)

REQUIRED SPACE

BASICALLY OPEN  
500mm OR MORE WITHOUT  
ANY OBSTRUCTION  
IN FRONT AND BOTH  
SIDES OF THE UNIT.



REFRIGERANT PIPE JOINT	LIQUID REFRIGERANT PIPE	FLARED ø6.35 (1/4")
	GAS REFRIGERANT PIPE	FLARED ø15.88 (5/8")