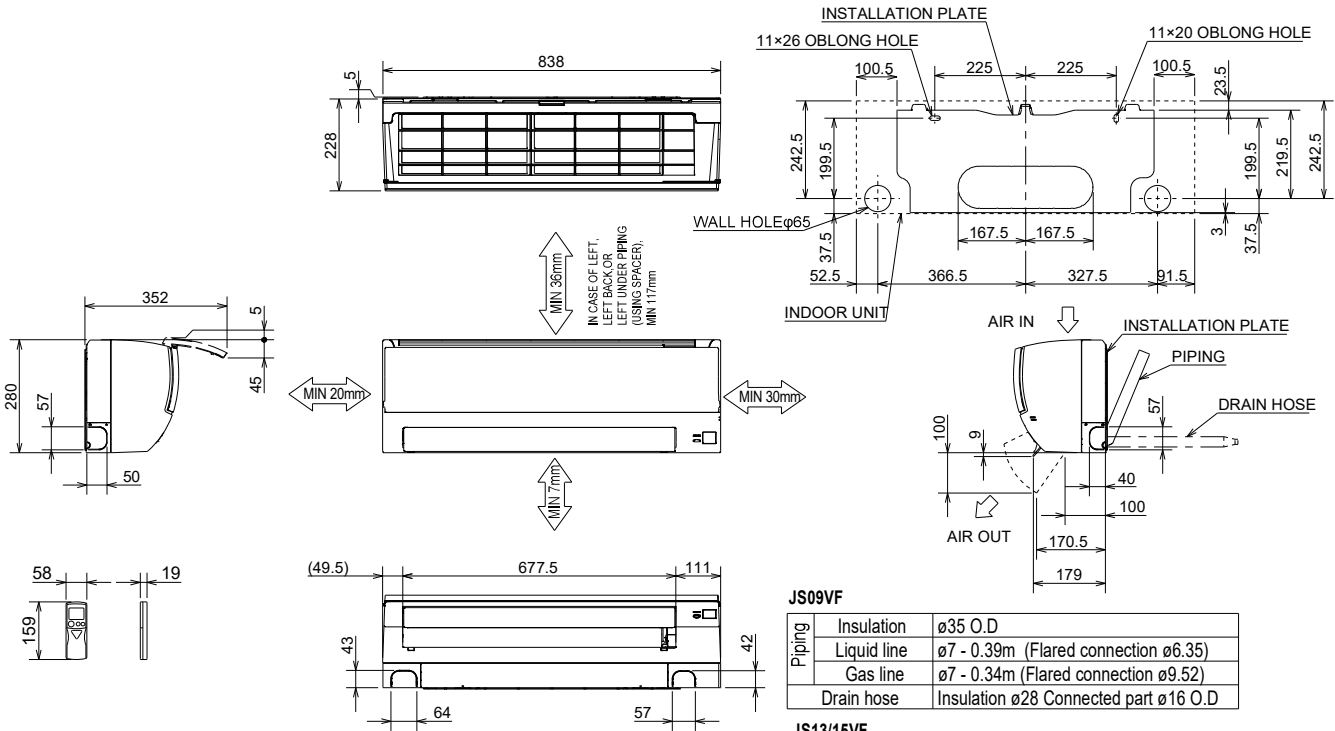


MSY-JS09VF MSY-JS13VF MSY-JS15VF MSY-JS18VF

Unit: mm

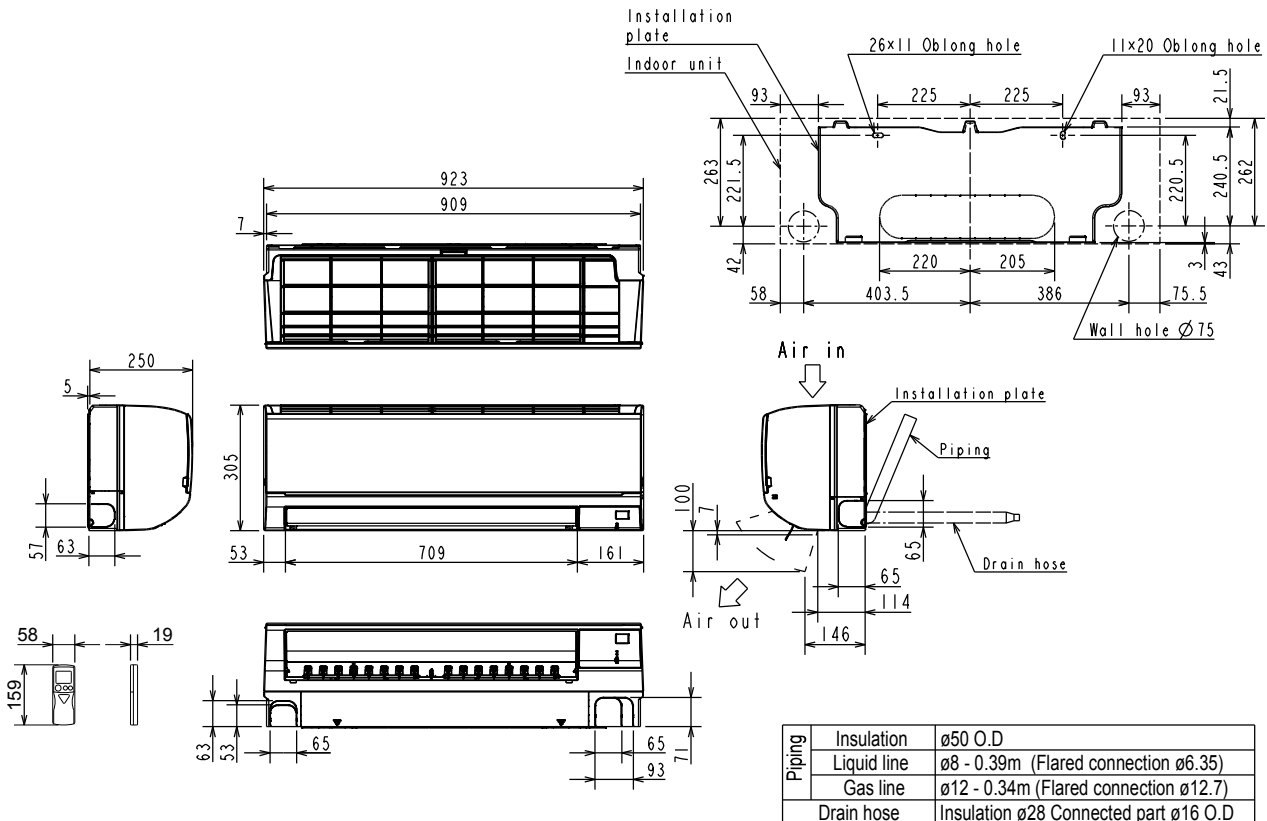


JS09VF	
Piping	Insulation $\phi 35$ O.D
	Liquid line $\phi 7 - 0.39m$ (Flared connection $\phi 6.35$)
	Gas line $\phi 7 - 0.34m$ (Flared connection $\phi 9.52$)
	Drain hose Insulation $\phi 28$ Connected part $\phi 16$ O.D

JS13/15VF	
Piping	Insulation $\phi 35$ O.D
	Liquid line $\phi 7 - 0.39m$ (Flared connection $\phi 6.35$)
	Gas line $\phi 9.52 - 0.34m$ (Flared connection $\phi 9.52$)
	Drain hose Insulation $\phi 28$ Connected part $\phi 16$ O.D

JS18VF	
Piping	Insulation $\phi 37$ O.D
	Liquid line $\phi 7 - 0.39m$ (Flared connection $\phi 6.35$)
	Gas line $\phi 9.52 - 0.34m$ (Flared connection $\phi 12.7$)
	Drain hose Insulation $\phi 28$ Connected part $\phi 16$ O.D

MSY-JS24VF



Piping	Insulation $\phi 50$ O.D
	Liquid line $\phi 8 - 0.39m$ (Flared connection $\phi 6.35$)
	Gas line $\phi 12 - 0.34m$ (Flared connection $\phi 12.7$)
	Drain hose Insulation $\phi 28$ Connected part $\phi 16$ O.D