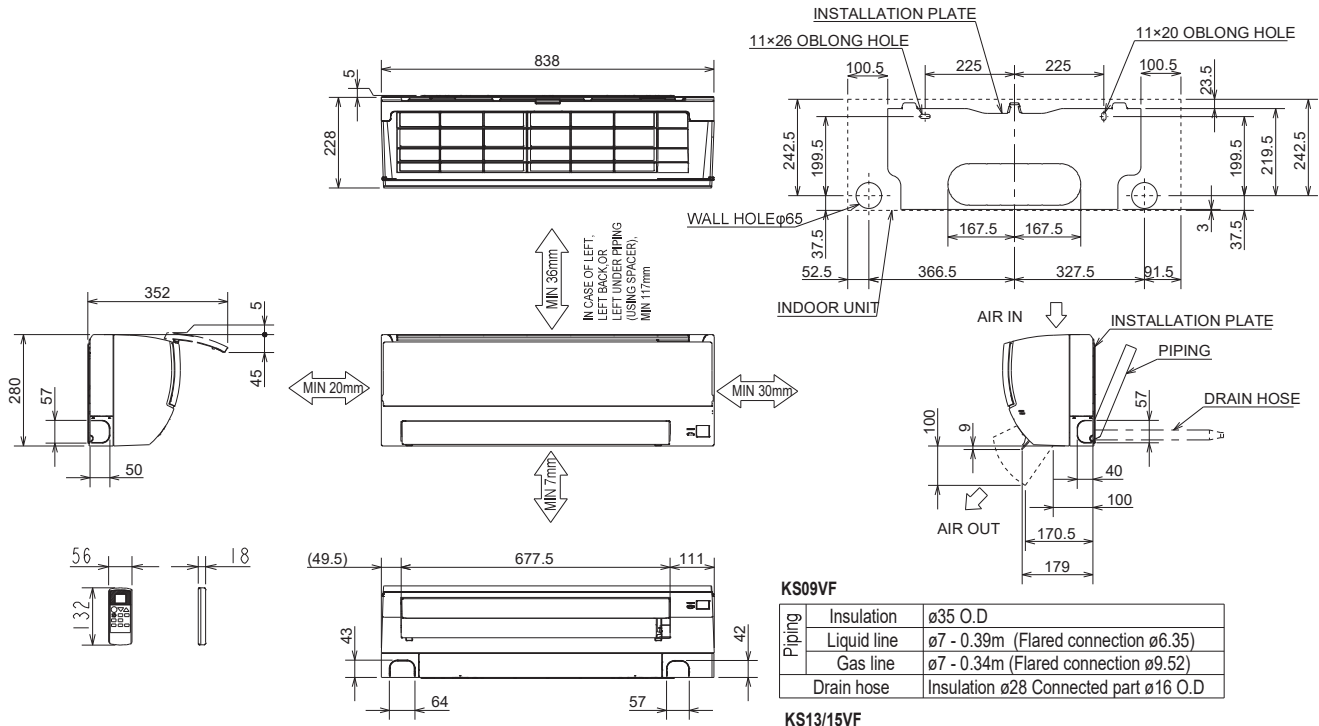


MSY-KS09VF MSY-KS13VF MSY-KS15VF MSY-KS18VF

Unit: mm



KS09VF

Piping	Insulation	ø35 O.D
	Liquid line	ø7 - 0.39m (Flared connection ø6.35)
	Gas line	ø7 - 0.34m (Flared connection ø9.52)
	Drain hose	Insulation ø28 Connected part ø16 O.D

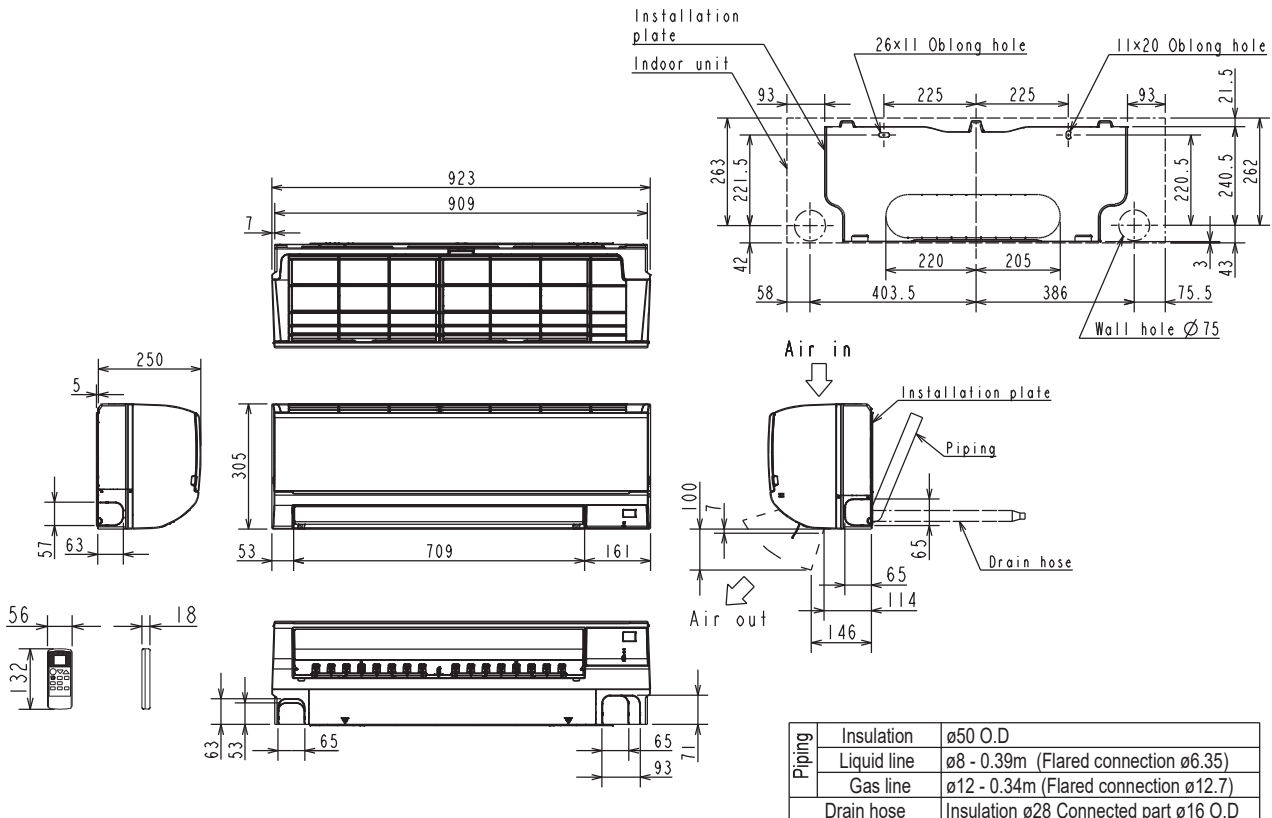
KS13/15VF

Piping	Insulation	ø35 O.D
	Liquid line	ø7 - 0.39m (Flared connection ø6.35)
	Gas line	ø9.52 - 0.34m (Flared connection ø9.52)
	Drain hose	Insulation ø28 Connected part ø16 O.D

KS18VF

Piping	Insulation	ø37 O.D
	Liquid line	ø7 - 0.39m (Flared connection ø6.35)
	Gas line	ø9.52 - 0.34m (Flared connection ø12.7)
	Drain hose	Insulation ø28 Connected part ø16 O.D

MSY-KS24VF



Piping	Insulation	ø50 O.D
	Liquid line	ø8 - 0.39m (Flared connection ø6.35)
	Gas line	ø12 - 0.34m (Flared connection ø12.7)
	Drain hose	Insulation ø28 Connected part ø16 O.D