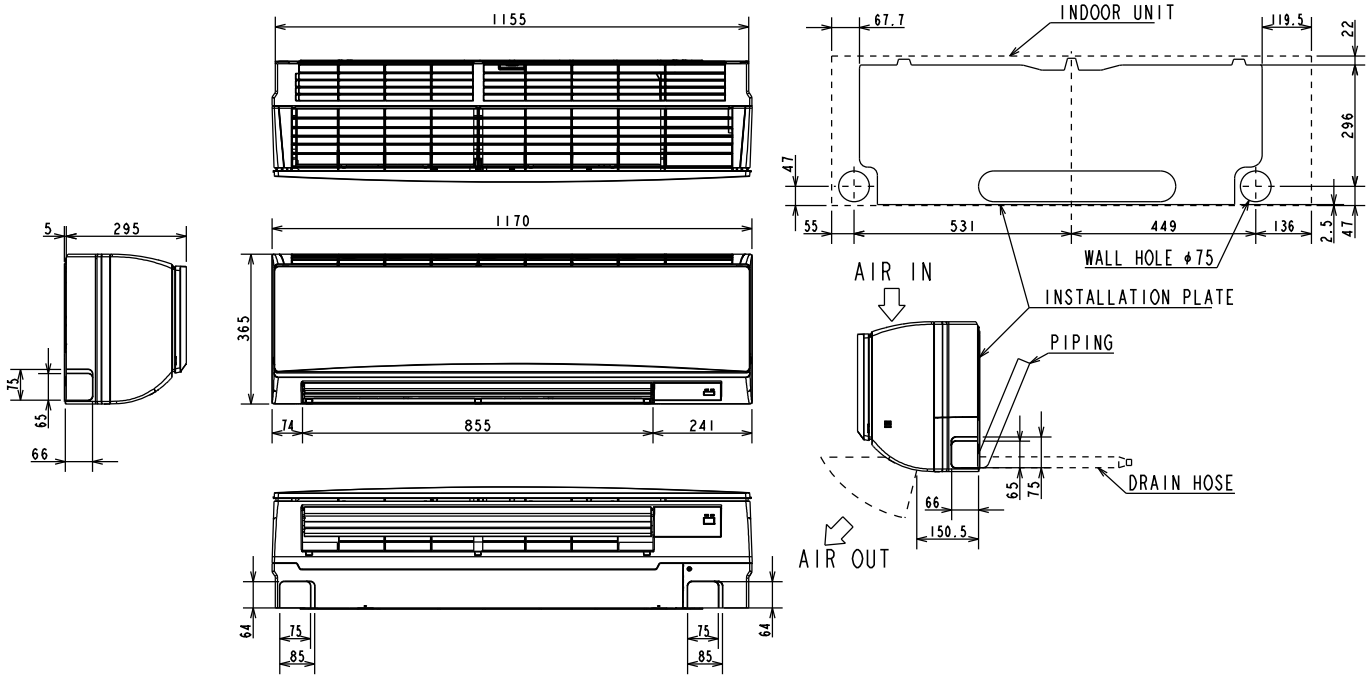


5

OUTLINES AND DIMENSIONS

MSY-JR34VF

Unit :mm



	PIPING	INSULATION
LIQUID LINE	φ9.52 - 0.50m (FLARED CONNECTION φ6.35)	φ31 O.D φ15 I.D
GAS LINE	φ12 - 0.45m (FLARED CONNECTION φ15.88)	φ37 O.D φ21 I.D
DRAIN HOSE	INSULATION φ29 CONNECTED PART φ16 O.D	

