

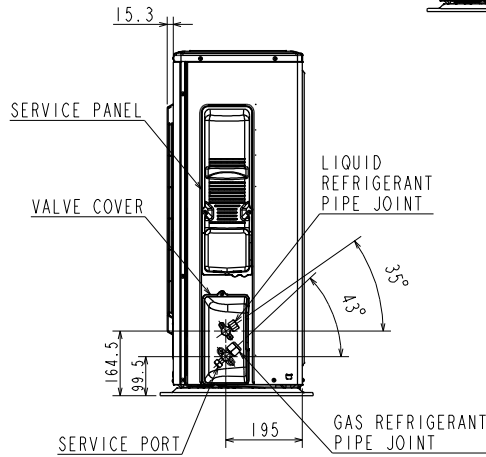
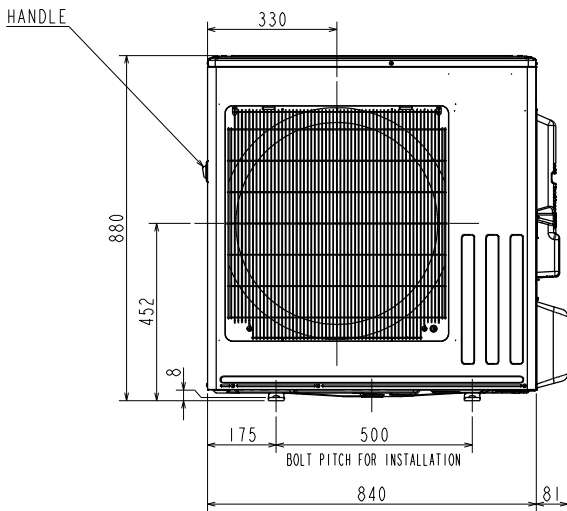
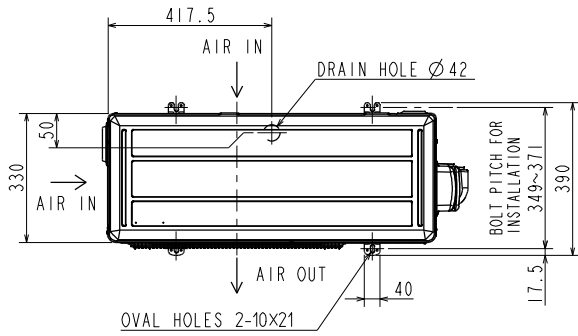
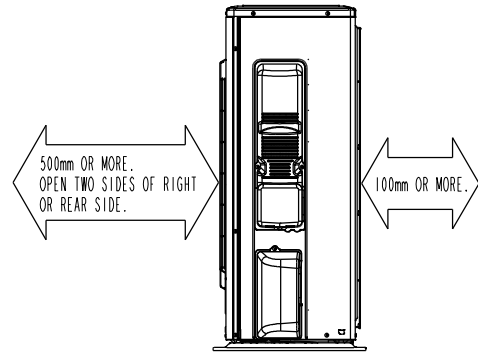
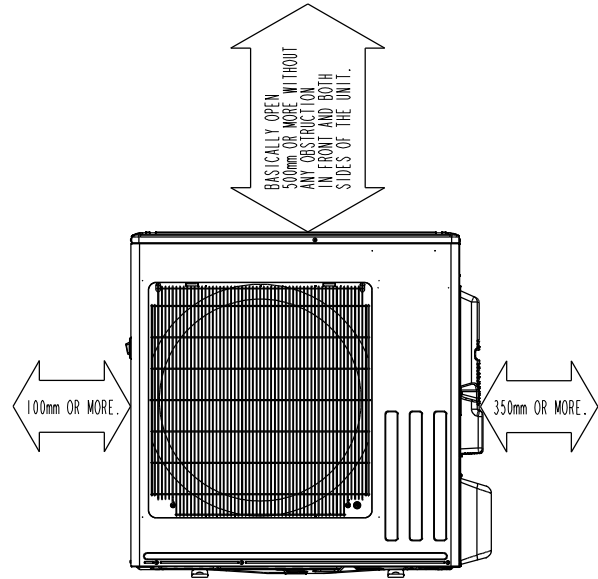
# 6

# OUTLINES AND DIMENSIONS

MUY-JR34VF

Unit: mm

## REQUIRED SPACE



|                        |                         |                      |
|------------------------|-------------------------|----------------------|
| REFRIGERANT PIPE JOINT | LIQUID REFRIGERANT PIPE | FLARED ø6.35 (1/4")  |
|                        | GAS REFRIGERANT PIPE    | FLARED ø15.88 (5/8") |