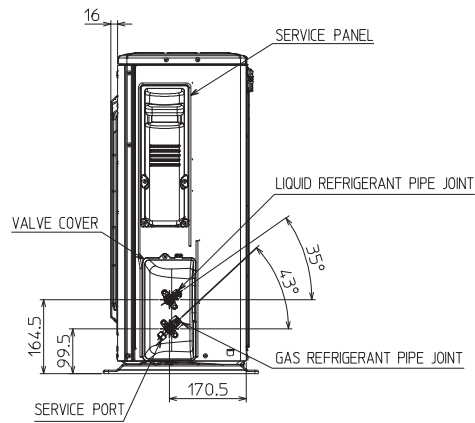
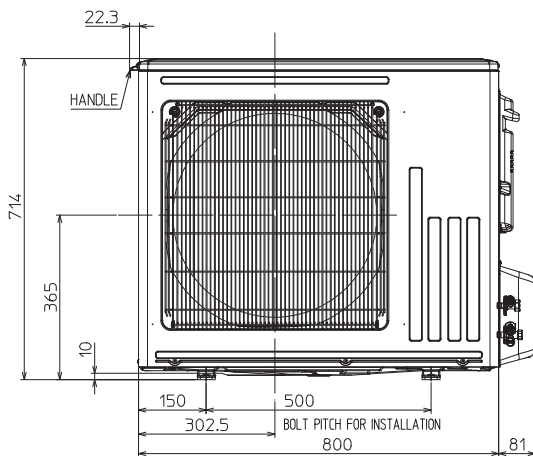
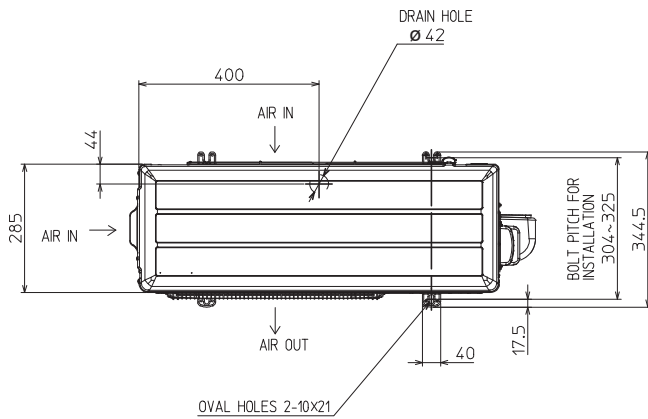


6

OUTLINES AND DIMENSIONS

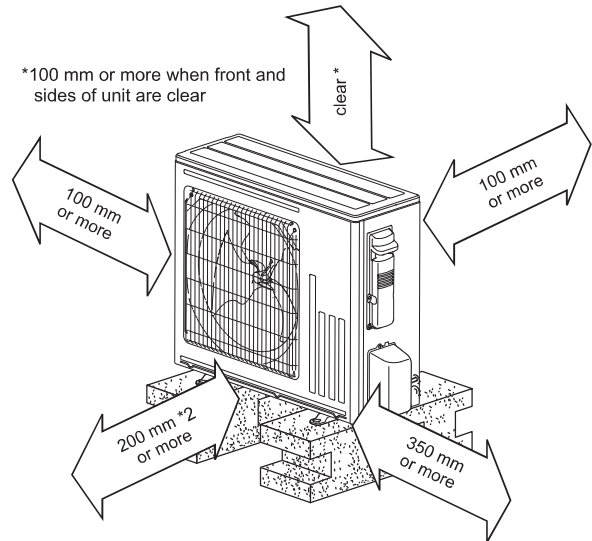
SUY-SM13VA-TH.TH
SUY-SM18VA-TH.TH

Unit: mm



REFRIGERANT PIPE JOINT	LIQUID REFRIGERANT PIPE	FLARED 6.35(1/4")
	GAS REFRIGERANT PIPE	FLARED 12.7(1/2")

REQUIRED SPACE

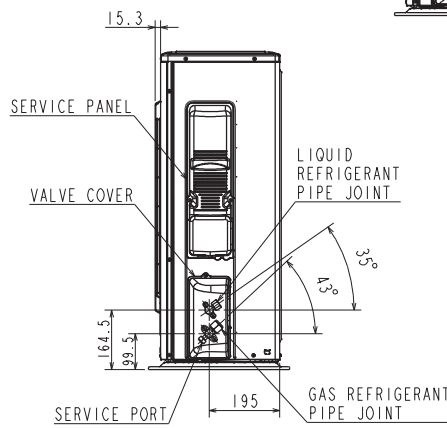
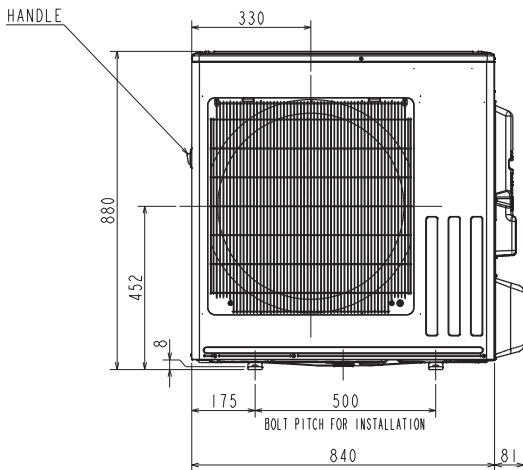
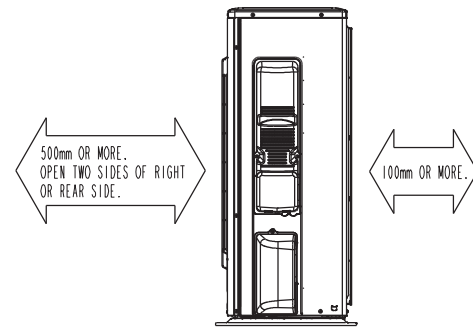
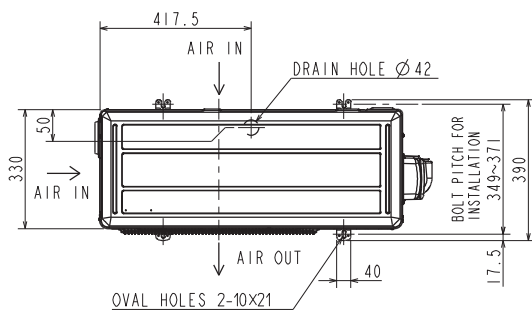
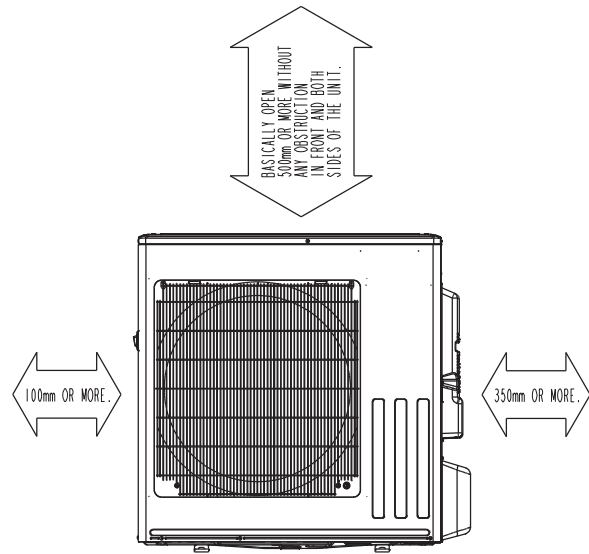


*2 When any 2 sides of left, right and rear of unit are clear

SUY-SM24VA-TH.TH
SUY-SM30VA-TH.TH

Unit: mm

REQUIRED SPACE



REFRIGERANT PIPE JOINT	LIQUID REFRIGERANT PIPE	FLARED ø9.52 (3/8")
	GAS REFRIGERANT PIPE	FLARED ø15.88 (5/8")