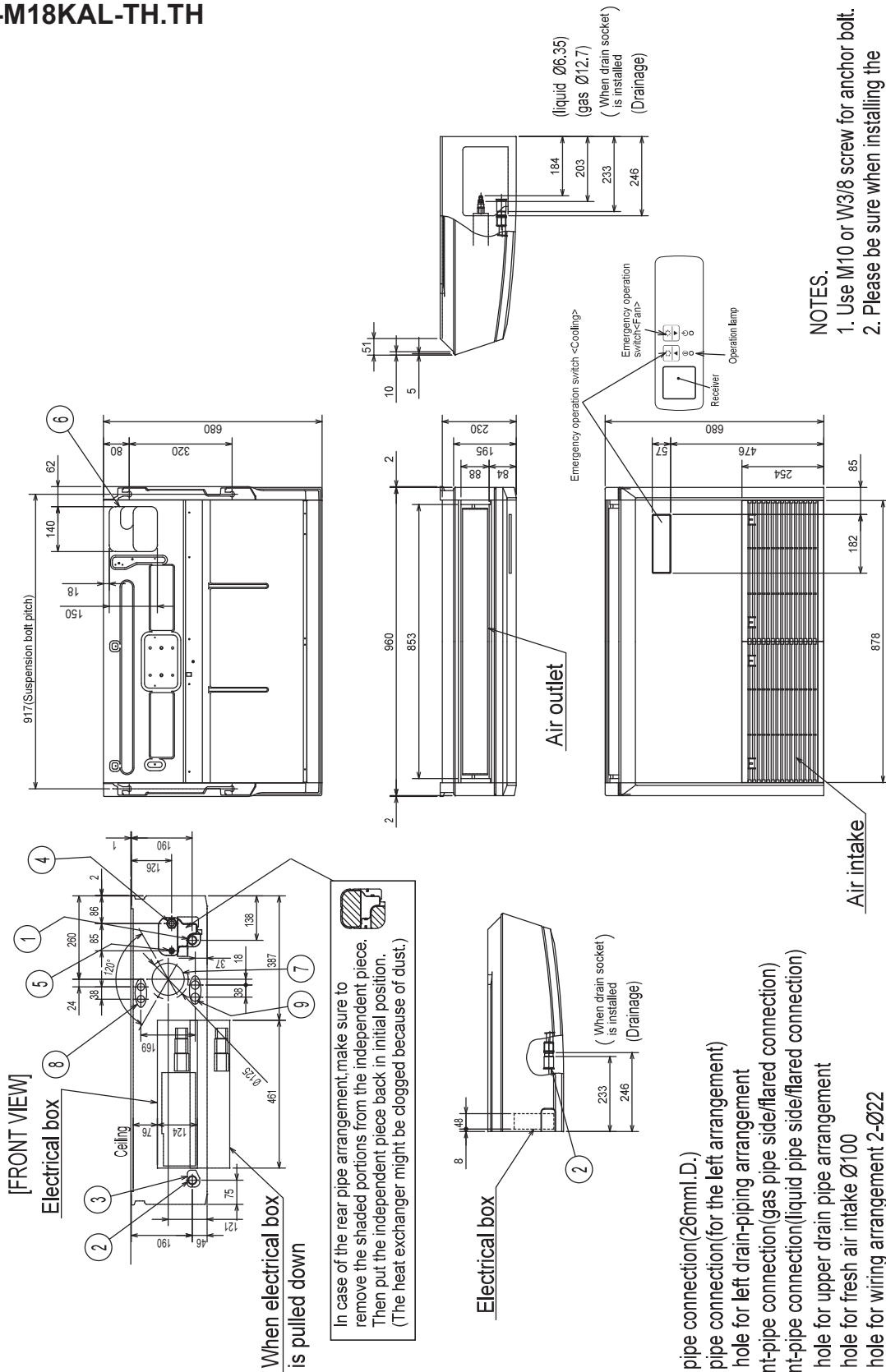


PCY-M13KAL-TH.TH
PCY-M18KAL-TH.TH

Unit: mm



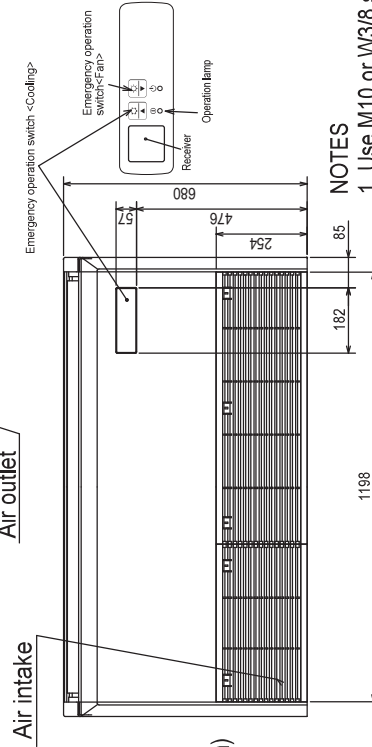
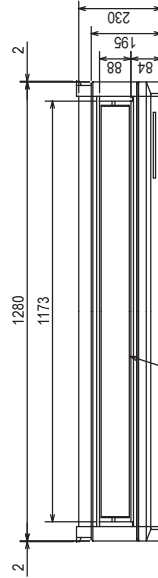
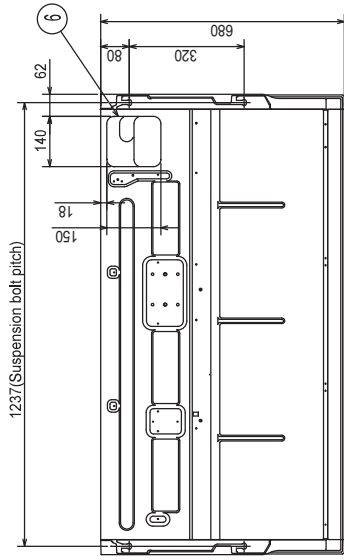
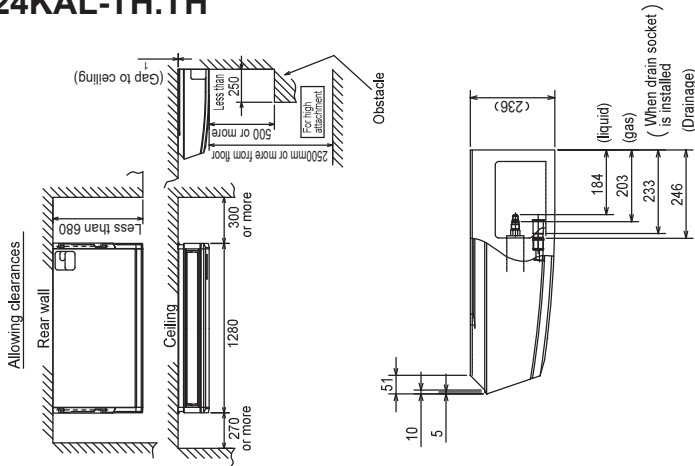
NOTES.
1. Use M10 or W3/8 screw for anchor bolt.
2. Please be sure when installing the drain pump (option parts), refrigerant pipe will be only upward.

In case of the rear pipe arrangement, make sure to remove the shaded portions from the independent piece. Then put the independent piece back in initial position. (The heat exchanger might be clogged because of dust.)

- ① Drainage pipe connection(26mm I.D.)
 - ② Drainage pipe connection(for the left arrangement)
 - ③ Knockout hole for left drain-piping arrangement
 - ④ Refrigerant-pipe connection(gas pipe side/flared connection)
 - ⑤ Refrigerant-pipe connection(liquid pipe side/flared connection)
 - ⑥ Knockout hole for upper drain pipe arrangement
 - ⑦ Knockout hole for fresh air intake Ø100
 - ⑧ Knockout hole for wiring arrangement 2-Ø22
 - ⑨ Knockout hole for wiring arrangement 2-Ø26
- Accessory...Drain socket (I.D. 26)

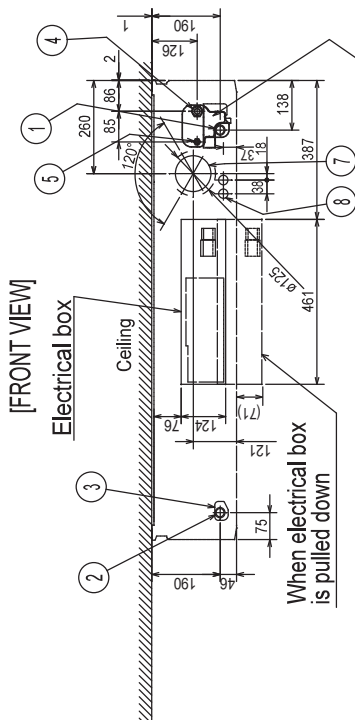
PCY-M24KAL-TH.TH

Unit: mm

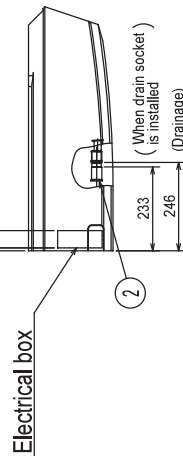


NOTES

1. Use M10 or W3/8 screw for anchor bolt.
2. Please be sure when installing the drain pump (option parts), refrigerant pipe will be only upper drain pipe arrangement.



In case of the rear pipe arrangement, make sure to remove the shaded portions from the independent piece. Then put the independent piece back in initial position. (The heat exchanger might be clogged because of dust)



- ① Drainage pipe connection(26mm I.D.)
- ② Drainage pipe connection(for the left arrangement)
- ③ Knockout hole for left drain-piping arrangement
- ④ Refrigerant-pipe connection(gas pipe side/flared connection)
- ⑤ Refrigerant-pipe connection(liquid pipe side/flared connection)
- ⑥ Knockout hole for upper drain pipe arrangement
- ⑦ Knockout hole for fresh air intake $\phi 100$
- ⑧ Knockout hole for wiring arrangement 2- $\phi 26$

PCY-M30KAL-TH.TH
 PCY-M36KAL-TH.TH
 PCY-M42KAL-TH.TH
 PCY-M48KAL-TH.TH

Unit: mm

