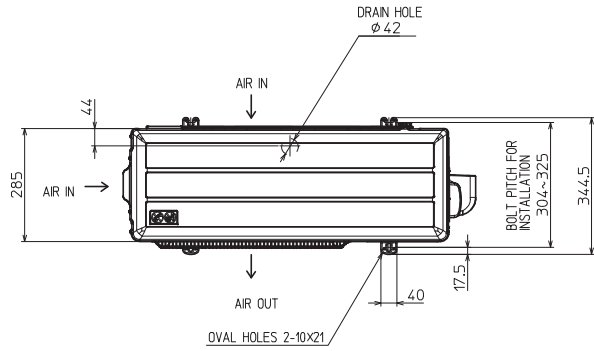


6

OUTLINES AND DIMENSIONS

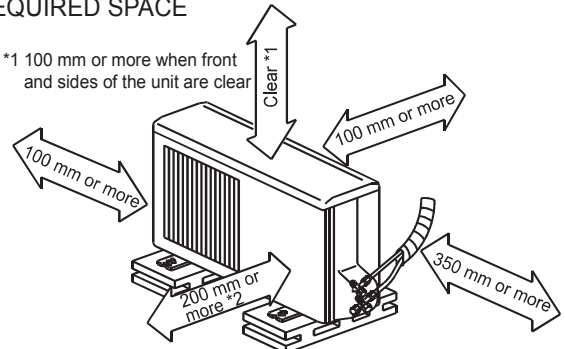
SUY-M13VA-TH
SUY-M18VA-TH

Unit: mm

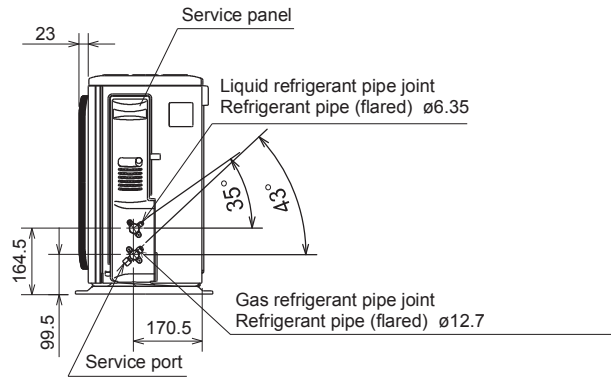
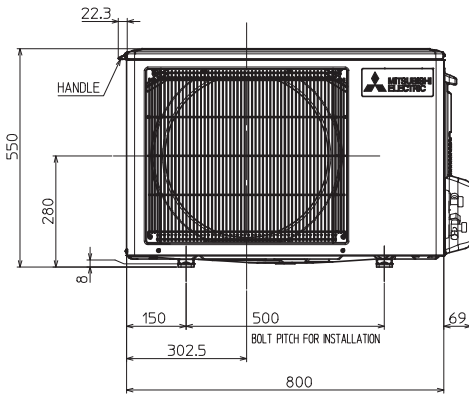


REQUIRED SPACE

*1 100 mm or more when front and sides of the unit are clear

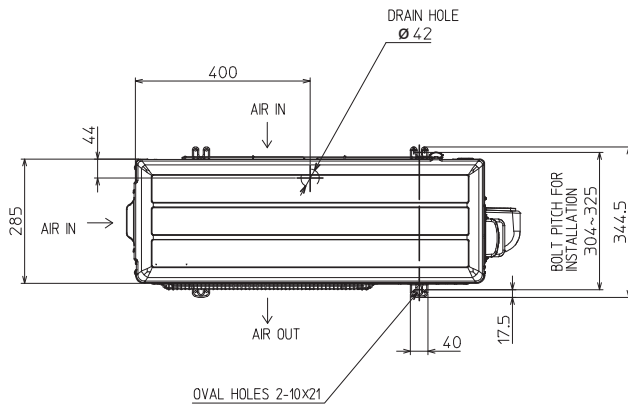


*2 When any 2 sides of left, right and rear of the unit are clear

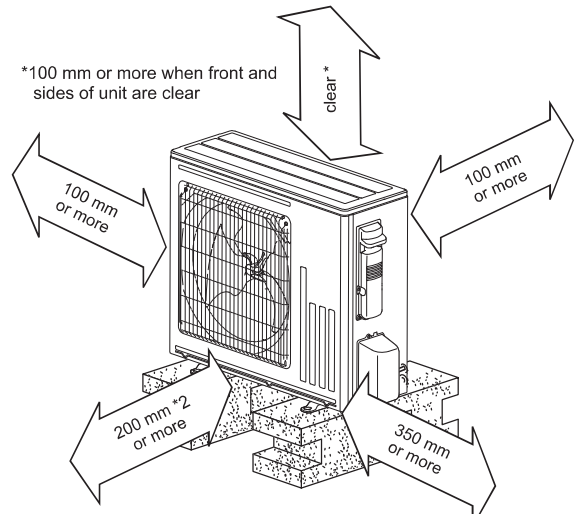


**SUY-M24VA-TH
SUY-M30VA-TH**

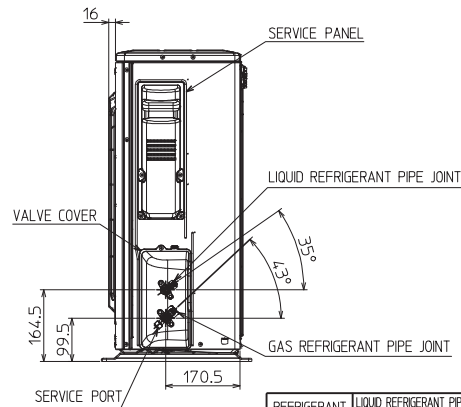
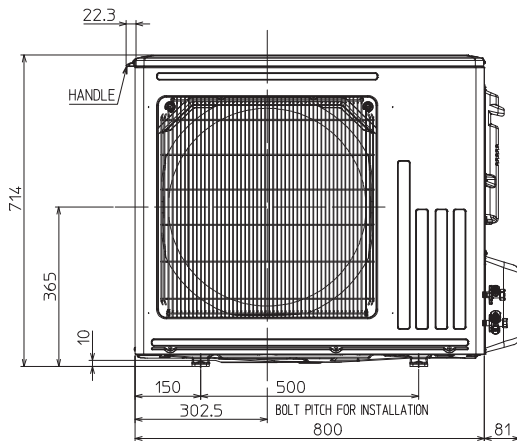
Unit: mm



REQUIRED SPACE

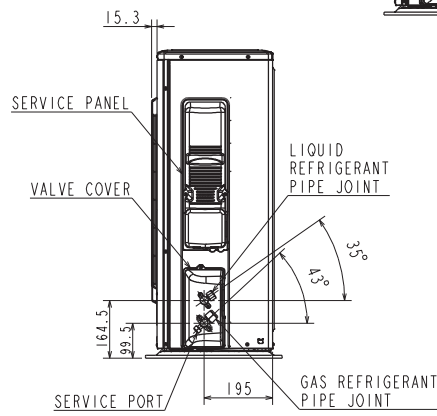
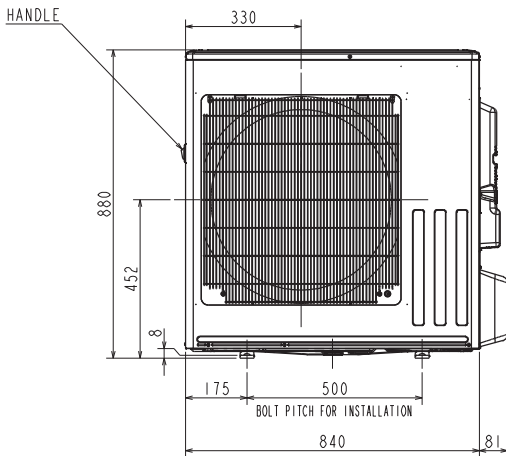
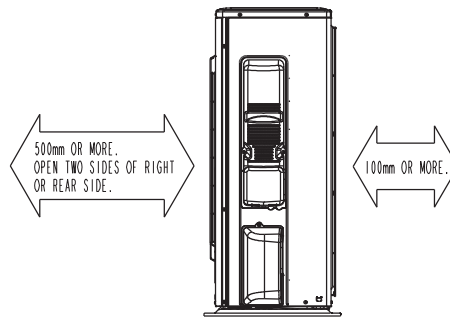
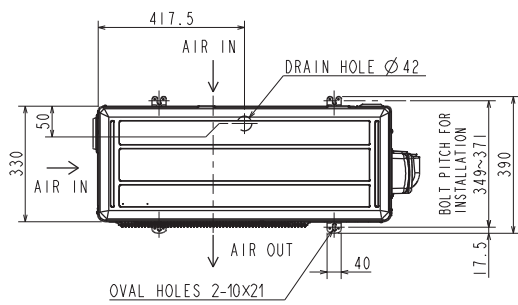
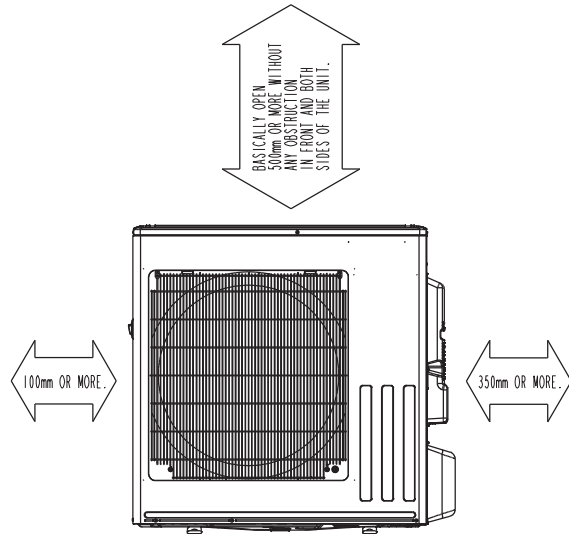


*2 When any 2 sides of left, right and rear of unit are clear



REFRIGERANT PIPE JOINT	LIQUID REFRIGERANT PIPE	FLARED $\varnothing 9.52$ (3/8")
	GAS REFRIGERANT PIPE	FLARED $\varnothing 15.88$ (5/8")

REQUIRED SPACE



REFRIGERANT PIPE JOINT	LIQUID REFRIGERANT PIPE	FLARED ø9.52 (3/8")
	GAS REFRIGERANT PIPE	FLARED ø15.88 (5/8")