

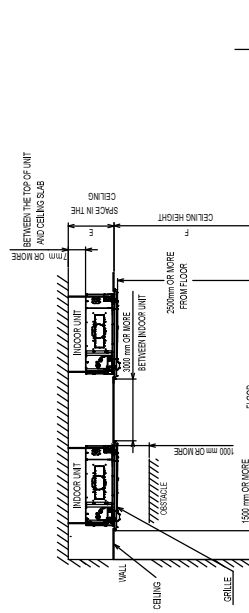
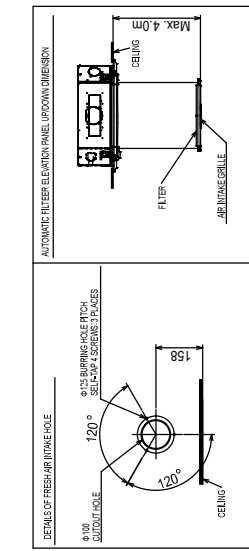
PLY-M13EA2-TH.TH
PLY-M36EA2-TH.TH

PLY-M18EA2-TH.TH
PLY-M42EA2-TH.TH

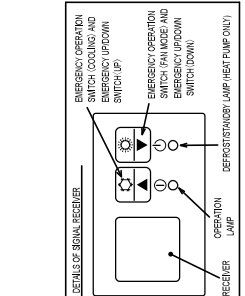
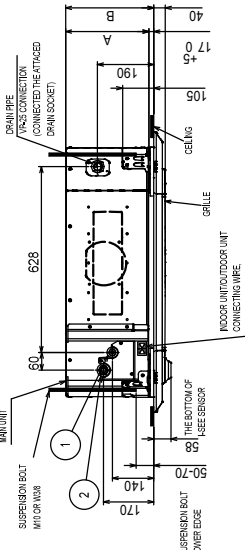
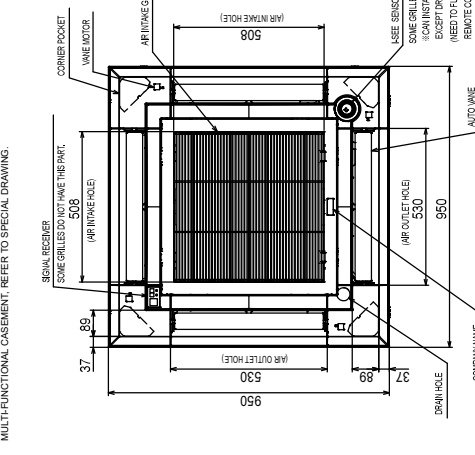
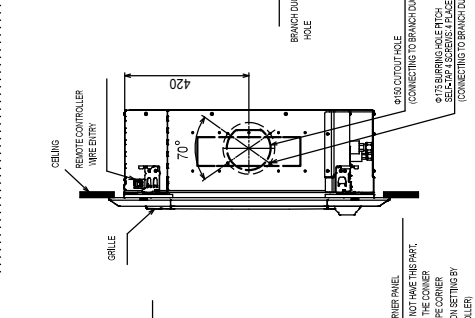
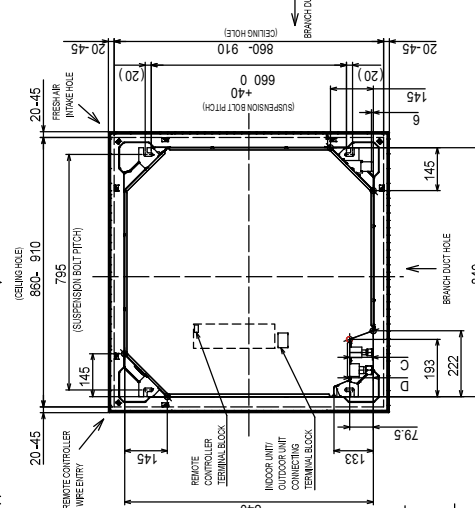
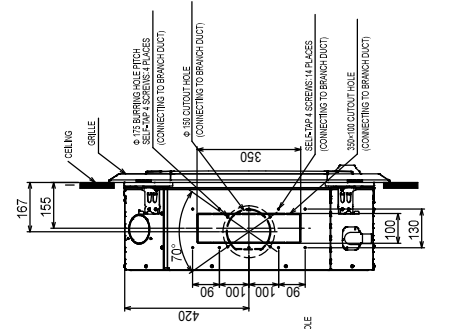
PLY-M24EA2-TH.TH
PLY-M48EA2-TH.TH

PLY-M30EA2-TH.TH

Unit: mm



- NOTE: 1. CHOOSE THE GRILLE AMONG THE DEDICATED GRILLES.
2. REINFORCE THE SUSPENSION BOLT FOR EARTHQUAKE RESISTANCE AS NEEDED.
3. FOR THE SUSPENSION BOLT, USE M10 OR W3/8.
4. FOR DRAIN PIPE, USE VP-25 (O.D. ϕ 32 PVC TUBE).
5. DRAIN PUMP INCLUSION IN THE CEILING.
6. ELECTRICAL BOX MAY BE REMOVED FOR THE SERVICE PURPOSE.
7. MAKE SURE TO SLACK THE ELECTRICAL WIRE LITTLE BIT FOR CONTROL/POWER WIRES CONNECTION.
8. THE HEIGHT OF THE INDOOR UNIT IS ABLE TO BE ADJUSTED WITH THE GRILLE ATTACHED.
9. THE SPACE BETWEEN TRANSOM AND CEILING FOR THE INSTALLATION, OTHERWISE CONDENSATION AND DRIPPING MAY OCCUR. (IT BECOMES THE CAUSE OF DEW DROPSWEAR DEW).
10. AS FOR NECESSARY INSTALLATION SERVICE SPACE, PLEASE REFER TO THE RIGHT AT FIGURE.
11. FOR THE OPERATION OF THE OPTIONAL HIGH EFFICIENCY FILTER OR MULTI-FUNCTIONAL CASEMENT, REFER TO SPECIAL DRAWINGS.



| MODEL | A | B | C | D | E | F |
|-------|-----|-----|-----|-----|---------|-----|
| 13-16 | 241 | 236 | 286 | 350 | OR MORE | 450 |
| 24 | 241 | 236 | 286 | 350 | OR MORE | 450 |
| 30-48 | 241 | 236 | 286 | 350 | OR MORE | 450 |