

Air-Conditioners

SUY-SA18, SA24, SA30VA2

INSTALLATION MANUAL

For safe and correct use, read this manual and the indoor unit installation manual thoroughly before installing the air-conditioner unit.

FOR INSTALLER

คู่มือการติดตั้ง

เพื่อความปลอดภัยและการใช้ที่ถูกต้อง อ่านคู่มือเล่มนี้และคู่มือการติดตั้งเครื่องภายนอกอาคารให้ละเอียด ก่อนทำการติดตั้งเครื่องปรับอากาศ

สำหรับผู้ทำการติดตั้ง

English

ไทย

Contents

1. The following should always be observed for safety	2	5. Electrical work	6
2. Selecting the installation location	2	6. Maintenance	7
3. Installation diagram	3	7. Pumping down	8
4. Refrigerant piping work	4	8. Specifications	8

1. The following should always be observed for safety

- Please provide an exclusive circuit for the air conditioner and do not connect other electrical appliances to it.
- Be sure to read “The following should always be observed for safety” before installing the air conditioner.
- Be sure to observe the cautions specified here as they include important items related to safety.
- The indications and meanings are as follows.

⚠ Warning:

Could lead to death, serious injury, etc.

⚠ Caution:

Could lead to serious injury in particular environments when operated incorrectly.

⚠ Warning:

- Do not install it by yourself (customer).
Incomplete installation could cause injury due to fire, electric shock, the unit falling or leakage of water. Consult the dealer from whom you purchased the unit or special installer.
- Install the unit securely in a place which can bear the weight of the unit.
When installed in an insufficient strong place, the unit could fall causing injured.
- Use the specified wires to connect the indoor and outdoor units securely and attach the wires firmly to the terminal board connecting sections so the stress of the wires is not applied to the sections.
Incomplete connecting and fixing could cause fire.
- Do not use intermediate connection of the power cord or the extension cord and do not connect many devices to one AC outlet.
It could cause a fire or an electric shock due to defective contact, defective insulation, exceeding the permissible current, etc.
- Check that the refrigerant gas does not leak after installation has completed.
- Perform the installation securely referring to the installation manual.
Incomplete installation could cause a personal injury due to fire, electric shock, the unit falling or leakage of water.
- Use only specified cables for wiring. The wiring connections must be made securely with no tension applied on the terminal connections. Also, never splice the cables for wiring (unless otherwise indicated in this document).
Failure to observe these instructions may result in overheating or a fire.
- Perform electrical work according to the installation manual and be sure to use an exclusive circuit.
If the capacity of the power circuit is insufficient or there is incomplete electrical work, it could result in a fire or an electric shock.

⚠ Caution:

- Perform grounding.
Do not connect the ground wire to a gas pipe, water pipe arrester or telephone ground wire. Defective grounding could cause an electric shock.
- Do not install the unit in a place where an inflammable gas leaks.
If gas leaks and accumulates in the area surrounding the unit, it could cause an explosion.
- Install a ground leakage breaker depending on the installation place (where it is humid).
If a ground leakage breaker is not installed, it could cause an electric shock.

- After reading this manual, be sure to keep it together with the instruction manual in a handy place on the customer's site.

⚡ : Indicates a part which must be grounded.

⚠ Warning:

Carefully read the labels affixed to the main unit.

- Attach the electrical part cover to the indoor unit and the service panel to the outdoor unit securely.
If the electrical part cover in the indoor unit and/or the service panel in the outdoor unit are not attached securely, it could result in a fire or an electric shock due to dust, water, etc.
- Be sure to use the part provided or specified parts for the installation work.
The use of defective parts could cause an injury or leakage of water due to a fire, an electric shock, the unit falling, etc.
- Ventilate the room if refrigerant leaks during operation.
If the refrigerant comes in contact with a flame, poisonous gases will be released.
- When pumping down the refrigerant, stop the compressor before disconnecting the refrigerant pipes. The compressor may burst if air etc. get into it.
- When installing or relocating, or servicing the air conditioner, use only the specified refrigerant (R410A) to charge the refrigerant lines. Do not mix it with any other refrigerant and do not allow air to remain in the lines.
If air is mixed with the refrigerant, then it can be the cause of abnormal high pressure in the refrigerant line, and may result in an explosion and other hazards.
The use of any refrigerant other than that specified for the system will cause mechanical failure or system malfunction or unit breakdown. In the worst case, this could lead to a serious impediment to securing product safety.

- Perform the drainage/piping work securely according to the installation manual.
If there is a defect in the drainage/piping work, water could drop from the unit and household goods could be wet and damaged.
- Fasten a flare nut with a torque wrench as specified in this manual.
When fastened too tight, a flare nut may broken after a long period and cause a leakage of refrigerant.

2. Selecting the installation location

2.1. Outdoor unit

- Where it is not exposed to strong wind.
- Where airflow is good and dustless.
- Where it is not exposed to rain and direct sunshine.
- Where neighbours are not annoyed by operation sound or hot air.
- Where rigid wall or support is available to prevent the increase of operation sound or vibration.
- Where there is no risk of combustible gas leakage.
- When installing the unit at a high level, be sure to fix the unit legs.
- Where it is at least 3 m away from the antenna of TV set or radio. (Otherwise, images would be disturbed or noise would be generated.)
- Please install it in an area not affected by snowfall or blowing snow. In areas with heavy snow, please install a canopy, a pedestal and/or some baffle boards.
- Install the unit horizontally.

⚠ Caution:

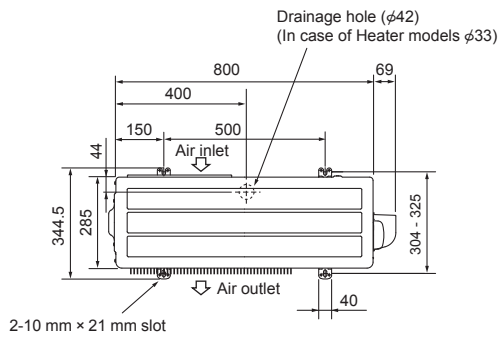
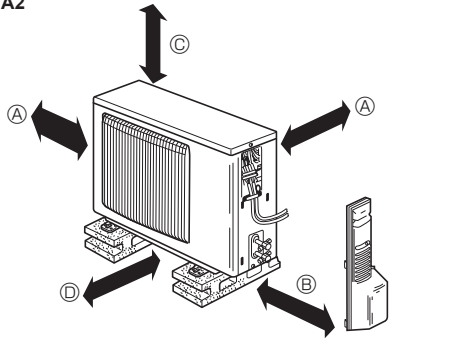
Avoid the following places for installation where air conditioner trouble is liable to occur.

- Where there is too much machine oil.
- Salty environment as seaside areas.
- Hot-spring areas.
- Where sulfide gas exists.
- Other special atmospheric areas.

The outdoor unit produces condensate during the heating operation. Select the installation place to ensure to prevent the outdoor unit and/or the grounds from being wet by drain water or damaged by frozen drain water.

3. Installation diagram

■ SUY-SA18VA2



(mm)

3.1. Outdoor unit (Fig. 3-1)

Ventilation and service space

■ SUY-SA18VA2

- Ⓐ 100 mm or more
- Ⓑ 350 mm or more
- Ⓒ Basically open 100 mm or more without any obstruction in front and on both sides of the unit.
- Ⓓ 200 mm or more (Open two sides of left, right, or rear side.)

■ SUY-SA24VA2

SUY-SA30VA2

- Ⓐ 100 mm or more
- Ⓑ 350 mm or more
- Ⓒ 500 mm or more

When the piping is to be attached to a wall containing metals (tin plated) or metal netting, use a chemically treated wooden piece 20 mm or thicker between the wall and the piping or wrap 7 to 8 turns of insulation vinyl tape around the piping.

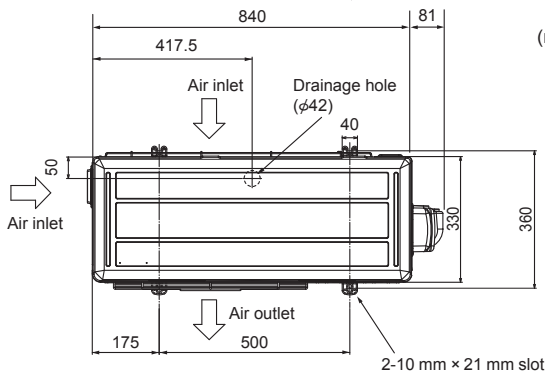
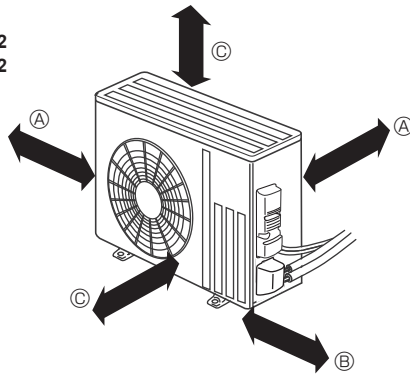
Units should be installed by licensed contractor accordingly to local code requirement.

Note:

When operating the air conditioner in low outside temperature, be sure to follow the instructions described below.

- Never install the outdoor unit in a place where its air inlet/outlet side may be exposed directly to wind.
- To prevent exposure to wind, install the outdoor unit with its air inlet side facing the wall.
- To prevent exposure to wind, it is recommended to install a baffle board on the air outlet side of the outdoor unit.

■ SUY-SA24VA2 SUY-SA30VA2



(mm)

Fig. 3-1

4. Refrigerant piping work

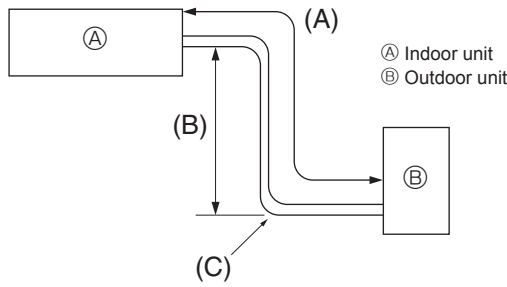


Fig. 4-1

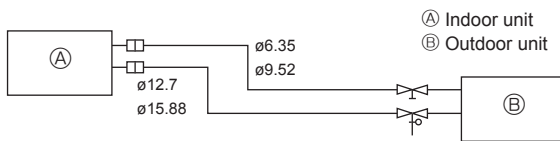


Fig. 4-2

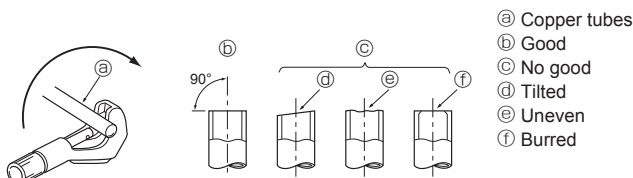


Fig. 4-3

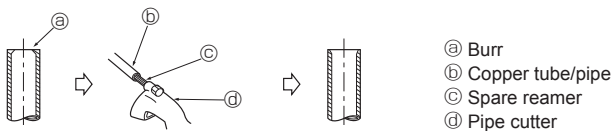


Fig. 4-4



Fig. 4-5

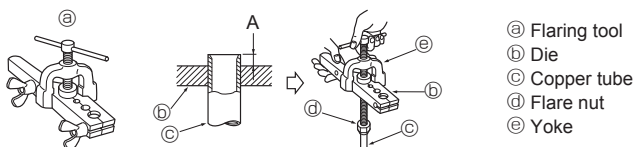


Fig. 4-6

4.1. Refrigerant pipe (Fig. 4-1)

► Check that the difference between the heights of the indoor and outdoor units, the length of refrigerant pipe, and the number of bends in the pipe are within the limits shown below.

Models	(A) Pipe length (one way)	(B) Height difference	(C) Number of bends (one way)
SUY-SA18	Max. 20 m	Max. 12 m	Max. of 10
SUY-SA24/SA30	Max. 30 m	Max. 15 m	Max. of 10

- Height difference limitations are binding regardless of which unit, indoor or outdoor, is positioned higher.
- Refrigerant adjustment ... If pipe length exceeds 7 m, additional refrigerant (R410A) charge is required.
(The outdoor unit is charged with refrigerant for pipe length up to 7 m.)

Pipe length	Up to 7 m	No additional charge is required.
	Exceeding 7 m	Additional charge is required. (Refer to the table below.)
Refrigerant to be added	SUY-SA18	15 g × (refrigerant piping length (m) - 7)
	SUY-SA24/SA30	20 g × (refrigerant piping length (m) - 7)

Piping preparation

- Refrigerant pipes of 3, 5, 7, 10 and 15 m are available as optional items.

(1) Table below shows the specifications of pipes commercially available.

Model	Pipe	Outside diameter		Min. wall thickness	Insulation thickness	Insulation material
		mm	inch			
SUY-SA18	For liquid	6.35	1/4	0.8 mm	8 mm	Heat resisting foam plastic 0.045 specific gravity
	For gas	12.7	1/2	0.8 mm	8 mm	
SUY-SA24	For liquid	9.52	3/8	0.8 mm	8 mm	
	For gas	15.88	5/8	1.0 mm	8 mm	
SUY-SA30	For liquid	9.52	3/8	0.8 mm	8 mm	
	For gas	15.88	5/8	1.0 mm	8 mm	

- (2) Ensure that the 2 refrigerant pipes are well insulated to prevent condensation.
(3) Refrigerant pipe bending radius must be 100 mm or more.

⚠ Caution:

Using careful insulation of specified thickness. Excessive thickness prevents storage behind the indoor unit and smaller thickness causes dew dripage.

4.2. Flaring work

- Main cause of gas leakage is defect in flaring work.
Carry out correct flaring work in the following procedure.

4.2.1. Pipe cutting (Fig. 4-3)

- Using a pipe cutter cut the copper tube correctly.

4.2.2. Burrs removal (Fig. 4-4)

- Completely remove all burrs from the cut cross section of pipe/tube.
- Put the end of the copper tube/pipe to downward direction as you remove burrs in order to avoid burrs drop in the tubing.

4.2.3. Putting nut on (Fig. 4-5)

- Remove flare nuts attached to indoor and outdoor unit, then put them on pipe/tube having completed burr removal.
(not possible to put them on after flaring work)

4.2.4. Flaring work (Fig. 4-6)

- Carry out flaring work using flaring tool as shown at the right.

Pipe diameter (mm)	Dimension	
	A (mm)	B ⁺⁰ _{-0.4} (mm)
	When the tool for R410A is used Clutch type	
6.35	0 - 0.5	9.1
9.52	0 - 0.5	13.2
12.7	0 - 0.5	16.6
15.88	0 - 0.5	19.7

Firmly hold copper tube in a die in the dimension shown in the table at above.

4. Refrigerant piping work

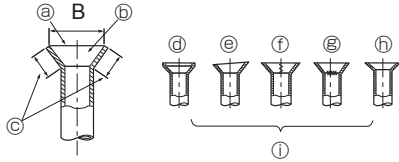


Fig. 4-7

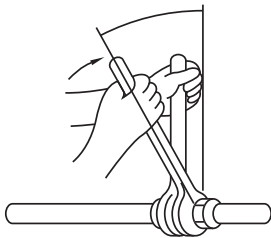


Fig. 4-8

4.2.5. Check (Fig. 4-7)

- Compare the flared work with a figure in right side hand.
- If flare is noted to be defective, cut off the flared section and do flaring work again.

- | | |
|---|---------------------------|
| Ⓐ Smooth all around | Ⓣ Scratch on flared plane |
| Ⓑ Inside is shining without any scratches | Ⓤ Cracked |
| Ⓒ Even length all around | Ⓡ Uneven |
| Ⓓ Too much | Ⓢ Bad examples |
| Ⓔ Tilted | |

- Apply a thin coat of refrigeration oil on the seat surface of pipe. (Fig. 4-8)
- For connection first align the center, then tighten the first 3 to 4 turns of flare nut.
- Use tightening torque table below as a guideline for indoor unit side union joint section, and tighten using two wrenches. Excessive tightening damages the flare section.

Copper pipe O.D. (mm)	Flare nut O.D. (mm)	Tightening torque (N·m)
ø6.35	17	14 - 18
ø9.52	22	34 - 42
ø12.7	26	49 - 61
ø15.88	29	68 - 82

⚠ Warning:

When installing the unit, securely connect the refrigerant pipes before starting the compressor.

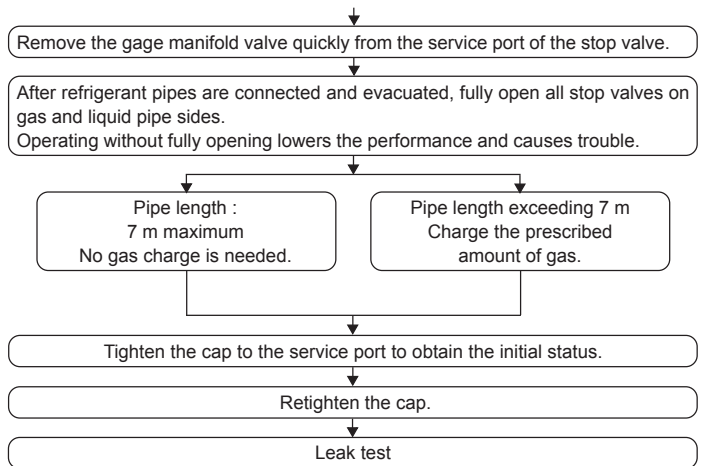
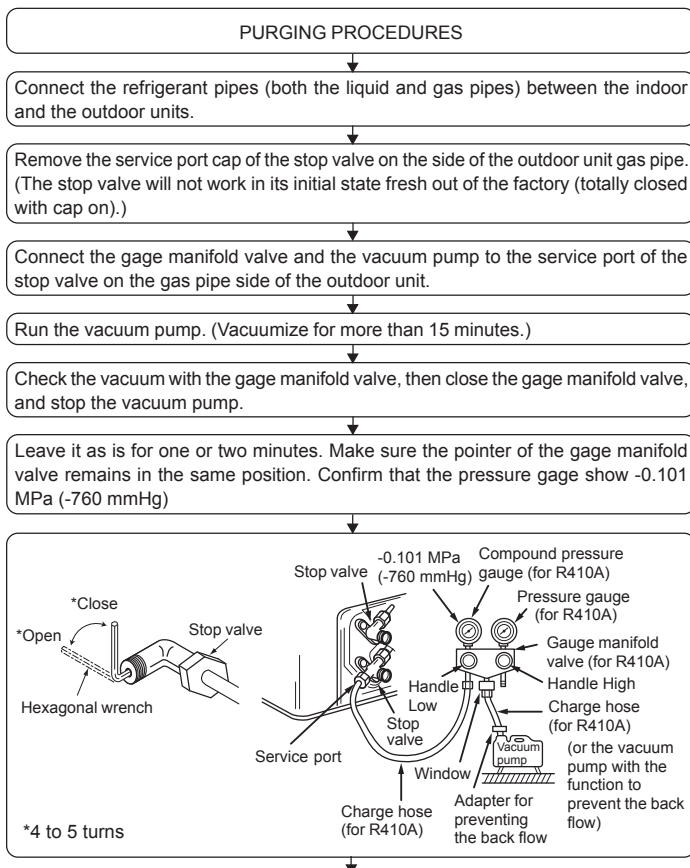
⚠ Warning:

Be careful of flying flare nut! (Internally pressurized)

Remove the flare nut as follows:

1. Loosen the nut until you hear a hissing noise.
2. Do not remove the nut until the gas has been completely released (i.e., hissing noise stops).
3. Check that the gas has been completely released, and then remove the nut.

4.5. Purging procedures leak test



5. Electrical work

5.1. Outdoor unit (Fig. 5-1, Fig. 5-2, Fig. 5-3, Fig. 5-4)

- ① Remove the service panel.
- ② Wire the cables referring to the Fig. 5-1, Fig. 5-2, Fig. 5-3 and the Fig. 5-4.

■ SUY-SA18/24VA2

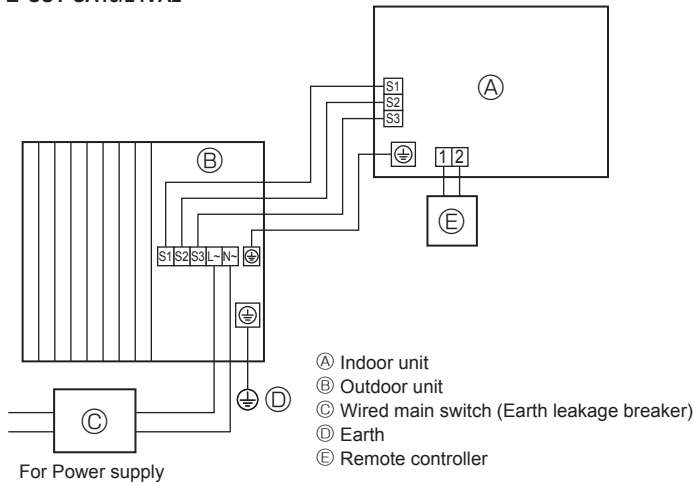
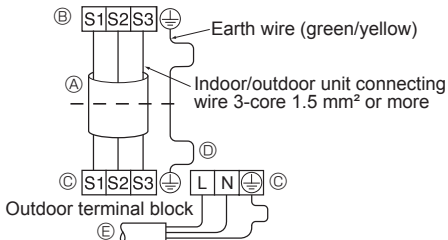
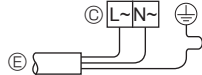


Fig. 5-1

Indoor terminal block



■ For SUY-SA18/24VA2



Power supply cord SUY-SA18: 2.0 mm² or more
 SUY-SA24/SA30: 2.5 mm² or more

Fig. 5-2

■ SUY-SA18VA2

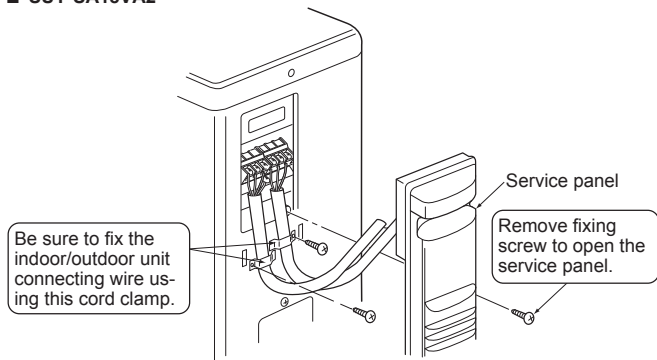


Fig. 5-3

■ SUY-SA24/30VA2

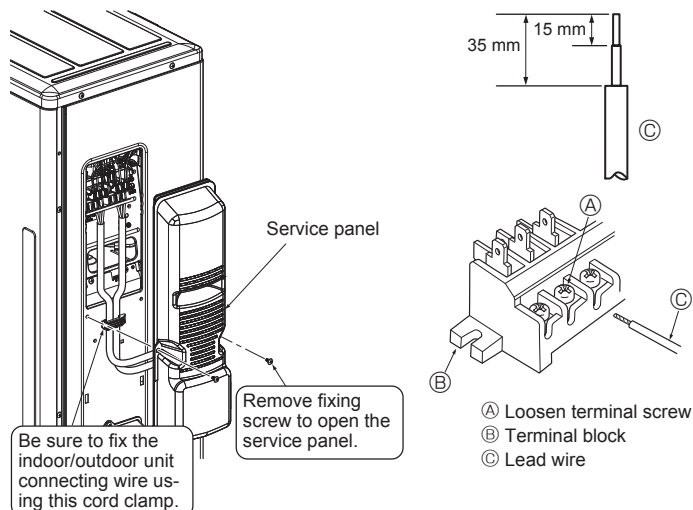
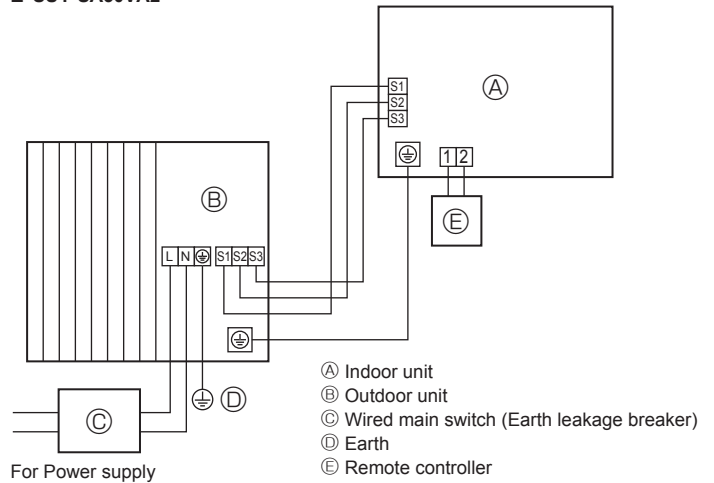


Fig. 5-4

■ SUY-SA30VA2



- Perform wiring as shown in the diagram to the lower left. (Procure the cable locally) (Fig. 5-2)

Make sure to use cables of the correct polarity only.

- (A) Connecting cable
- (B) Indoor terminal block
- (C) Outdoor terminal block
- (D) Always install an earth wire longer than other cables.
- (E) Power supply cord

- Make earth wire a little longer than others. (More than 100 mm)
- For future servicing, give extra length to the connecting wires.
- Be sure to attach each screw to its correspondent terminal when securing the cord and/or the wire to the terminal block.

- Connect cable from the indoor unit correctly on the terminal-block.
- Use the same terminal block and polarity as is used with the indoor unit.
- For aftercare maintenance, give extra length to connecting cable.

- Both end of connecting cable (extension wire) are peeled off. When too long, or connected by cutting off the middle, peel off power supply cable to the size given in the figure.
- Be careful not to contact connecting cable with piping.

⚠ Caution:

- Use care not to make miswiring.
- Firmly tighten the terminal screws to prevent them from loosening.
- After tightening, pull the wires lightly to confirm that they do not move.

⚠ Warning:

- Be sure to attach the service panel of the outdoor unit securely. If it is not attached correctly, it could result in a fire or an electric shock due to dust, water, etc.
- Tighten terminal screws securely.
- Wiring should be done so that the power lines are not subject to tension. Otherwise, heat may be generated or fire may occur.

5. Electrical work

5.2. Field electrical wiring

Outdoor unit model		SUY-SA18VA2	SUY-SA24/SA30VA2
Outdoor unit power supply		~N (single), 50 Hz, 220 - 240 V ~N (single), 60 Hz, 220 - 230 V	~N (single), 50 Hz, 220 - 240 V ~N (single), 60 Hz, 220 - 230 V
Outdoor unit input capacity Main switch (Breaker) *1		16 A	20 A
Wiring Wire No. x size (mm ²)	Outdoor unit power supply	2 x Min. 2.0	2 x Min. 2.5
	Outdoor unit power supply earth	1 x Min. 2.0	1 x Min. 2.5
	Indoor unit-Outdoor unit	3 x 1.5 (Polar)	3 x 1.5 (Polar)
	Indoor unit-Outdoor unit earth	1 x Min. 1.5	1 x Min. 1.5
Circuit rating	Outdoor unit L-N *2	220 VAC - 240 VAC	220 VAC - 240 VAC
	Indoor unit-Outdoor unit S1-S2 *2	220 VAC - 240 VAC	220 VAC - 240 VAC
	Indoor unit-Outdoor unit S2-S3 *2	12 VDC - 24 VDC	12 VDC - 24 VDC

*1. A breaker with at least 3 mm contact separation in each poles shall be provided. Use earth leakage breaker (NV).

Make sure that the current leakage breaker is one compatible with higher harmonics.

Always use a current leakage breaker that is compatible with higher harmonics as this unit is equipped with an inverter.

The use of an inadequate breaker can cause the incorrect operation of inverter.

*2. The figures are NOT always against the ground.

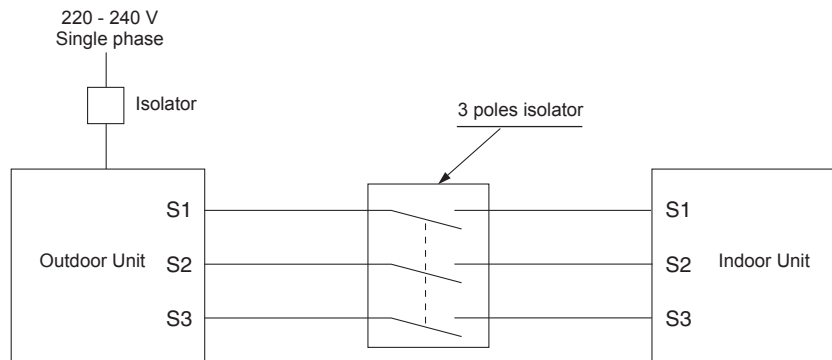
S3 terminal has 24 VDC against S2 terminal. However between S3 and S1, these terminals are NOT electrically insulated by the transformer or other device.

Notes: 1. Wiring size must comply with the applicable local and national code.

2. Power supply cords and Indoor/Outdoor unit connecting cords shall not be lighter than polychloroprene sheathed flexible cord. (Design 60245 IEC 57)

3. Install an earth longer than other cables.

4. Installation must be comply with the electrical wiring rule.



⚠ Warning:

There is high voltage potential on the S3 terminal caused by electrical circuit design that has no electrical insulation between power line and communication signal line. Therefore, please turn off the main power supply when servicing. And do not touch the S1, S2, S3 terminals when the power is energized. If isolator should be used between indoor unit and outdoor unit, please use 3-poles type.

Never splice the power cable or the indoor-outdoor connection cable, otherwise it may result in a smoke, a fire or communication failure.

6. Maintenance

6.1. Gas charge (Fig. 6-1)

1. Connect gas cylinder to the service port of stop valve (3-way).
2. Execute air purge of the pipe (or hose) coming from refrigerant gas cylinder.
3. Replenish specified amount of refrigerant, while running the air conditioner for cooling.

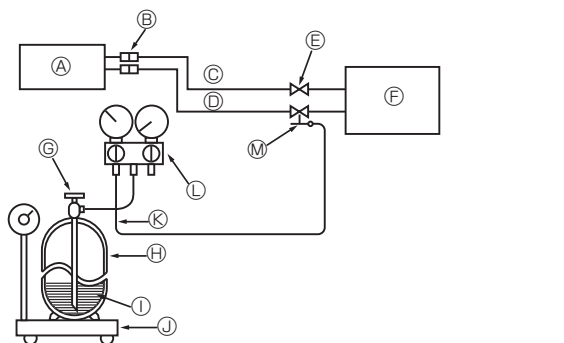
Note:

In case of adding refrigerant, comply with the quantity specified for the refrigerating cycle.

⚠ Caution:

- Do not discharge the refrigerant into the atmosphere. Take care not to discharge refrigerant into the atmosphere during installation, reinstallation, or repairs to the refrigerant circuit.
- For additional charging, charge the refrigerant from liquid phase of the gas cylinder. If the refrigerant is charged from the gas phase, composition change may occur in the refrigerant inside the cylinder and the outdoor unit. In this case, ability of the refrigerating cycle decreases or normal operation can be impossible. However, charging the liquid refrigerant all at once may cause the compressor to be locked. Thus, charge the refrigerant slowly.

To maintain the high pressure of the gas cylinder, warm the gas cylinder with warm water (under 40°C) during cold season. But never use naked fire or steam.



- | | |
|--|--|
| (A) Indoor unit | (H) Refrigerant gas cylinder for R410A with siphon |
| (B) Union | (I) Refrigerant (liquid) |
| (C) Liquid pipe | (J) Electronic scale for refrigerant charging |
| (D) Gas pipe | (K) Charge hose (for R410A) |
| (E) Stop valve | (L) Gauge manifold valve (for R410A) |
| (F) Outdoor unit | (M) Service port |
| (G) Refrigerant gas cylinder operating valve | |

Fig. 6-1

7. Pumping down

When relocating or disposing of the air conditioner, pump down the system following the procedure below so that no refrigerant is released into the atmosphere.

- ① Turn off the power supply (circuit breaker).
- ② Connect the gauge manifold valve to the service port of the stop valve on the gas pipe side of the outdoor unit.
- ③ Fully close the stop valve on the liquid pipe side of the outdoor unit.
- ④ Supply power (circuit breaker).
- ⑤ Perform the refrigerant collecting operation (cooling test run).
 - For the PAR-21MAA, press the "Test" button twice to start the test run, and then select the cooling mode.
 - For details or for other information about starting the test run when using remote controllers, refer to the installation manual for the indoor unit or the remote controller.
- ⑥ Fully close the stop valve on the gas pipe side of the outdoor unit when the pressure gauge shows 0.05 to 0 MPa [Gauge] (approx. 0.5 to 0 kgf/cm²) and quickly stop the air conditioner.
 - Push the "ON/OFF" button on the remote controller to stop the air conditioner.
 - * Note that when the extension piping is very long with a large refrigerant amount, it may not be possible to perform a pump-down operation. In this case, use refrigerant recovery equipment to collect all of the refrigerant in the system.

- ⑦ Turn off the power supply (circuit breaker), remove the gauge manifold valve, and then disconnect the refrigerant pipes.

⚠ Warning:

When pumping down the refrigerant, stop the compressor before disconnecting the refrigerant pipes.

- **If the refrigerant pipes are disconnected while the compressor is operating and the stop valve (ball valve) is open, the pressure in the refrigeration cycle could become extremely high if air is drawn in, causing the pipes to burst, personal injury, etc.**

8. Specifications

Model		SUY-SA18VA2	SUY-SA24VA2	SUY-SA30VA2
Dimension [mm]	Height	550	880	
	Width	800	840	
	Depth	285	330	
Net Weight [kg]	India	32	48	50
	Thailand	32	48	46
	Other	32	49	47

สารบัญ

1. คำเตือนเพื่อความปลอดภัย	9	5. งานเดินสายไฟ	13
2. การเลือกตำแหน่งการติดตั้งเครื่อง	9	6. การบำรุงรักษา	14
3. แผนผังการติดตั้งเครื่อง	9	7. การดูเก็บสารทำความเย็น	15
4. งานเดินท่อสารทำความเย็น	11	8. ข้อมูลจำเพาะ	15

1. คำเตือนเพื่อความปลอดภัย

- กรุณาใช้งานเฉพาะสำหรับเครื่องปรับอากาศ และห้ามต่อสายอุปกรณ์ไฟฟ้าอื่นๆ เข้ากับวงจรนี้
- กรุณาอ่าน “คำเตือนเพื่อความปลอดภัย” ก่อนที่จะทำการติดตั้งเครื่อง
- กรุณาใส่ใจต่อคำเตือนและข้อควรระวังที่มีในคู่มือนี้ ซึ่งมีข้อความสำคัญเกี่ยวกับความปลอดภัยของท่าน
- เครื่องหมายและความหมายต่างๆ มีดังนี้

⚠ คำเตือน:

อาจทำให้ได้รับบาดเจ็บสาหัส หรือถึงแก่ชีวิตได้

⚠ ข้อควรระวัง:

อาจทำให้ได้รับบาดเจ็บสาหัส หรือทำให้ความเสียหายให้กับสิ่งที่อยู่รอบข้างได้

⚠ คำเตือน:

- ห้ามติดตั้งเครื่องด้วยตัวท่านเอง (ลูกค้า)
การติดตั้งที่ไม่เหมาะสม อาจทำให้ได้รับบาดเจ็บอันเนื่องมาจากไฟไหม้ ไฟดูด ตัวเครื่อง ตกหล่น หรือน้ำรั่ว ปริกาษาตัวแทนจำหน่ายจากร้านค้าที่ซื้อเครื่องหรือผู้ติดตั้งพิเศษ
- สถานที่ที่จะติดตั้งเครื่องต้องสามารถรับน้ำหนักเครื่องได้
เมื่อติดตั้งในสถานที่ที่ไม่แข็งแรงเพียงพอ อาจทำให้ตัวเครื่องตกหล่นและทำให้ได้รับบาดเจ็บได้
- เชื่อมต่อเครื่องภายในอาคารกับเครื่องภายนอกอาคารให้มั่นคงโดยใช้อย่างน้อยสามชนิด โดยเฉพาะ แล้วพันสายไฟเข้ากับส่วนเชื่อมต่อแผงขั้วให้แน่น เพื่อไม่ให้กำลังไฟปะทะกัน การเชื่อมต่อและการยึดติดที่ไม่ถูกต้องอาจทำให้เกิดไฟไหม้ได้
- ห้ามต่อสายไฟหรือใช้สายต่อไฟ และห้ามเสียบปลั๊กร่วมกับเครื่องใช้ไฟฟ้าอื่นๆ เพราะหากใช้ไฟฟ้าเกินกำลัง หรือขั้วเสียบไม่แน่นพอ จะเป็นสาเหตุให้เกิดไฟดูดหรือเกิดไฟไหม้
- เมื่อติดตั้งเรียบร้อยแล้ว ควรตรวจสอบสารทำความเย็นว่ารั่วไหลหรือไม่
- ควรติดตั้งโดยปฏิบัติตามคู่มือการติดตั้ง
การติดตั้งที่ไม่เหมาะสม อาจทำให้ได้รับบาดเจ็บต่อตัวบุคคลอันเนื่องมาจากไฟไหม้ ไฟดูด ตัวเครื่องตกหล่น หรือน้ำรั่ว
- ให้ใช้เฉพาะสายไฟตามที่กำหนดเท่านั้นในการเดินสายไฟ การเดินสายต้องทำด้วยความระมัดระวัง เพื่อความปลอดภัย อย่าให้ขั้วที่ต่อเข้ากับเครื่องตึงเกินไป และอย่าต่อสายไฟเพื่อเดินสายไฟ (ยกเว้นแต่จะระบุไว้ในคู่มือนี้)
- การไม่ปฏิบัติตามคำแนะนำเหล่านี้ อาจทำให้เกิดความร้อนสูงหรือไฟไหม้ได้
- ตำแหน่งงานในส่วนที่เกี่ยวกับระบบไฟฟ้าตามคู่มือการติดตั้ง และให้แน่ใจว่าใช้วงจรเฉพาะ หากความจุไฟฟ้าไม่เพียงพอ หรือต่อวงจรไม่สมบูรณ์ อาจทำให้เกิดไฟไหม้ หรือไฟดูดได้

⚠ ข้อควรระวัง:

- ทำการต่อขั้วสายดิน
อย่าต่อสายดินเข้ากับท่อก๊าซ ตัวกันท่อน้ำ หรือสายดินของโทรศัพท์ สายดินที่ชำรุด อาจทำให้เกิดไฟดูดได้
- ห้ามทำการติดตั้งเครื่องในสถานที่ที่มีการรั่วไหลของก๊าซที่ติดไฟได้ง่าย
หากก๊าซรั่วไหล และรวมตัวกันในบริเวณรอบๆ ตัวเครื่อง อาจทำให้เกิดการระเบิดได้
- ติดตั้งเบรกเกอร์ตัดไฟ ซึ่งขึ้นอยู่กับตำแหน่งการติดตั้ง (ในสถานที่ชื้น)
หากไม่ได้ติดตั้งเบรกเกอร์ตัดไฟ อาจทำให้เกิดไฟดูดได้

2. การเลือกตำแหน่งการติดตั้งเครื่อง

2.1. เครื่องภายนอกอาคาร

- หลีกเลี่ยงการติดตั้งในบริเวณที่ลมแรง
- ติดตั้งในบริเวณที่มีอากาศถ่ายเทได้สะดวกและไม่มีฝุ่น
- หลีกเลี่ยงการติดตั้งในบริเวณที่มีฝนและลมแรง
- ติดตั้งในบริเวณที่เสียงอันเกิดจากการทำงานของเครื่องหรือลมร้อนไม่รบกวนเพื่อนบ้านข้างเคียง
- ติดตั้งบนผนังที่แข็งแรงหรือบนฐานรองที่สามารถหาได้ เพื่อป้องกันไม่ให้เสียงที่เกิดจากการทำงานของเครื่องหรือการสั่นสะเทือนเพิ่มขึ้น
- ติดตั้งในบริเวณที่ปราศจากการรั่วไหลของก๊าซติดไฟ
- เมื่อติดตั้งเครื่องในที่สูง ตรวจสอบให้แน่ใจว่าได้ยึดขาของเครื่องไว้เรียบร้อยแล้ว
- ติดตั้งในบริเวณที่ห่างจากเสาอากาศของเครื่องรับโทรทัศน์หรือวิทยุอย่างน้อย 3 ม.
(มิฉะนั้น ภาพอาจถูกรบกวนหรืออาจเกิดเสียงได้)
- ติดตั้งเครื่องในบริเวณที่ไม่ได้รับผลกระทบจากหิมะหรือลมหิมะพัดผ่าน ในพื้นที่ที่หิมะตกหนัก โปรดติดตั้งฝาครอบ หรือแผ่นกันลม
- ติดตั้งเครื่องในแนวระนาบ

- หลังจากอ่านคู่มือนี้แล้ว ควรแน่ใจว่าได้เก็บคู่มือนี้ไว้กับคู่มือการใช้งานในตำแหน่งที่หยิบใช้งานได้สะดวกในพื้นที่ของลูกคา

Ⓡ : หมายถึง ส่วนที่ต้องต่อลงดิน

⚠ คำเตือน:

โปรดอ่านฉลากที่ข้างตัวเครื่องหลักอย่างละเอียด

- ปิดฝาครอบส่วนที่เกี่ยวข้องกับสายไฟเข้ากับเครื่องตัวใน และฝาครอบส่วนที่ทำงานเข้ากับตัวเครื่องตัวนอกให้แน่น เพราะหากปิดไม่แน่น จะเป็นสาเหตุให้เกิดไฟไหม้หรือไฟดูดอันเนื่องมาจากฝุ่นหรือน้ำเข้าเครื่องได้
- ควรใช้ชิ้นส่วนที่จัดให้เฉพาะกับการติดตั้งนี้เท่านั้น เพราะหากใช้ชิ้นส่วนที่ชำรุดจะเป็นสาเหตุให้ได้รับบาดเจ็บ หรือน้ำรั่วไหล ทำให้เกิดไฟไหม้ ไฟดูดหรือเครื่องหล่นทับ เป็นต้น
- ระบายอากาศภายในห้อง หากเกิดการรั่วไหลของสารทำความเย็นในขณะที่เครื่องทำงาน หากสารทำความเย็นสัมผัสกับเปลวไฟ ก๊าซพิษจะถูกปล่อยออกมา
- เมื่อทำการระบายน้ำยาทำความเย็น ให้หยุดการทำงานของคอมเพรสเซอร์ก่อนที่จะถอดท่อน้ำยาทำความเย็น คอมเพรสเซอร์อาจจะเปิดได้หากมีอากาศเข้าไป
- เมื่อติดตั้งหรือเปลี่ยนตำแหน่ง หรือทำการบำรุงรักษาเครื่องปรับอากาศ ให้ใช้สารทำความเย็นเฉพาะชนิดที่กำหนด (R410A) เพื่อเติมในท่อสารทำความเย็น อย่าผสมสารทำความเย็นนี้เข้ากับสารทำความเย็นประเภทอื่น และอย่าให้มีอากาศเหลืออยู่ในท่อ หากมีอากาศปนเข้ามาในสารทำความเย็น อาจเป็นสาเหตุให้เกิดความดันสูงผิดปกติในท่อสารทำความเย็น และอาจส่งผลให้เกิดการระเบิดและเกิดอันตรายอื่นๆ ขึ้นได้ การใช้สารทำความเย็นอื่นนอกเหนือจากที่กำหนดให้ใช้กับระบบจะส่งผลให้เครื่องมีปัญหาหรือระบบทำงานผิดปกติ หรือเครื่องชำรุด ในกรณีที่ร้ายแรงที่สุดอาจทำให้เกิดความไม่ปลอดภัยขั้นร้ายแรงต่อผลิตภัณฑ์

- อย่าแตะต้องบริเวณช่องลมเข้า หรือชิ้นส่วนแผ่นอะลูมิเนียมของเครื่องตัวนอก หากมีข้อบกพร่องในการติดตั้งท่อน้ำทิ้งหรืองานเดินท่อ อาจทำให้น้ำรั่วไหลจากตัวเครื่อง และเครื่องใช้ภายในบ้านอาจเปียกและเสียหายได้
- ชิ้นเนื้อแดร์ด้วยประแจขันแบบกำหนดทอร์คได้ตามที่กำหนดไว้ในคู่มือนี้ เมื่อขันแน่นเกินไป หลังจากผ่านไปเป็นเวลานาน เนื้อแดร์อาจเสียหายและทำให้น้ำยารั่วออกมาได้

⚠ ข้อควรระวัง:

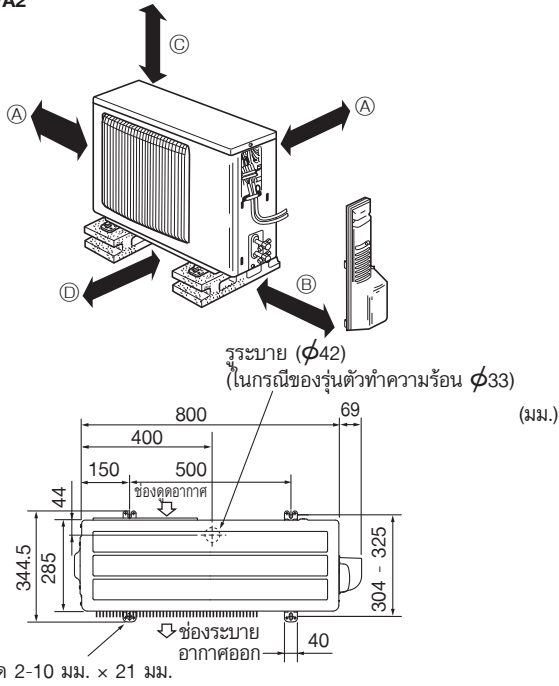
หลีกเลี่ยงการติดตั้งในสถานที่ซึ่งอาจก่อให้เกิดปัญหาเกี่ยวกับเครื่องปรับอากาศดังต่อไปนี้

- สถานที่ซึ่งเต็มไปด้วยน้ำมันเครื่อง
- สถานที่ซึ่งมีอากาศเค็ม เช่น บริเวณชายทะเล
- บริเวณน้ำพุร้อน
- บริเวณที่มีกรดกำมะถัน
- บริเวณบรรยากาศพิเศษอื่นๆ

เครื่องภายนอกอาคารจะเกิดการควบแน่นขณะทำความร้อน เลือกตำแหน่งการติดตั้งโดยให้แน่ใจว่าได้ป้องกันเครื่องภายนอกอาคารและ/หรือสายดินไม่ให้เปียกน้ำที่ระบายออกมาหรือเสียหายจากการแข็งตัวของน้ำที่ระบายออกมา

3. แผนผังการติดตั้งเครื่อง

■ SUY-SA18VA2



■ SUY-SA24VA2 SUY-SA30VA2

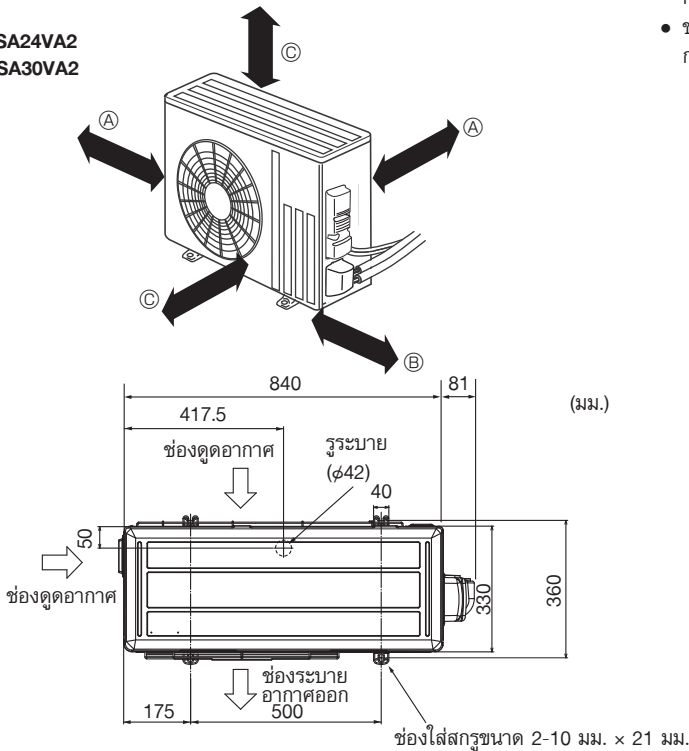


Fig. 3-1

3.1. เครื่องภายนอกอาคาร (Fig. 3-1)

การระบายอากาศและพื้นที่ตรวจซ่อมแซม

■ SUY-SA18VA2

- Ⓐ อย่างน้อย 100 มม.
- Ⓑ อย่างน้อย 350 มม.
- Ⓒ โดยทั่วไป เปิด 100 มม. หรือมากกว่านั้นโดยไม่มีสิ่งกีดขวางที่ด้านหน้าและทั้งสองด้านของตัวเครื่อง
- Ⓓ 200 มม. หรือมากกว่านั้น (เปิดสองด้านทางด้านซ้าย ด้านขวา หรือด้านหลัง)

■ SUY-SA24VA2

■ SUY-SA30VA2

- Ⓐ อย่างน้อย 100 มม.
- Ⓑ อย่างน้อย 350 มม.
- Ⓒ อย่างน้อย 500 มม.

เมื่อติดตั้งท่อเข้ากับผนังซึ่งเป็นโลหะ (เคลือบดีบุก) หรือตาข่ายโลหะ ให้ใช้แผ่นไม้ที่มีความหนาอย่างน้อย 20 มม. กั้นระหว่างผนังและท่อหรือพื้นเทปไวเนล 7-8 รอบ

ผู้ที่ทำการติดตั้งเครื่องปรับอากาศจะต้องเป็นผู้ที่มีใบอนุญาตจากบริษัทตามข้อกำหนดที่ระบุไว้เท่านั้น

หมายเหตุ:

เมื่อเครื่องปรับอากาศทำงานในขณะที่อุณหภูมิภายนอกต่ำ กรุณาปฏิบัติตามขั้นตอนดังต่อไปนี้

- ห้ามติดตั้งเครื่องปรับอากาศในตำแหน่งที่ด้านช่องลมเข้า/ออกสัมผัสกับกระแสลมโดยตรง
- ติดตั้งเครื่องปรับอากาศโดยให้ด้านช่องลมเข้าหันไปทางผนัง เพื่อป้องกันการสัมผัสกับกระแสลม
- ขอแนะนำให้ติดตั้งแผ่นกันลมที่ด้านช่องลมออกของเครื่องปรับอากาศ เพื่อป้องกันการสัมผัสกับกระแสลม

4. งานเดินท่อสารทำความเย็น

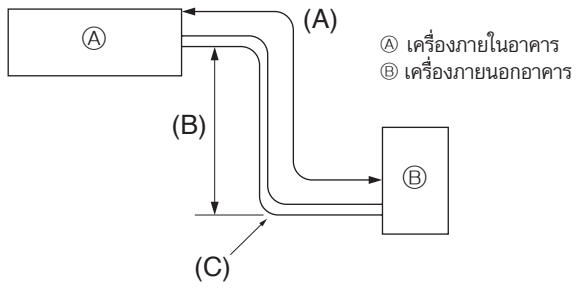


Fig. 4-1

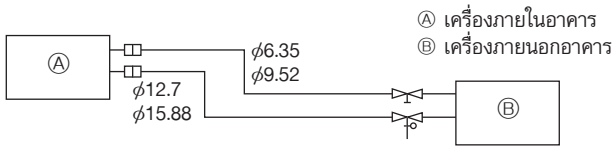


Fig. 4-2

4.1. ท่อสารทำความเย็น (Fig. 4-1)

▶ ตรวจสอบความแตกต่างระหว่างความสูงของเครื่องภายในอาคารและตัวเครื่องภายนอกอาคาร ความยาวของท่อสารทำความเย็น และจำนวนการหักโค้งของท่อว่าเป็นไปตามค่าจำกัดที่แสดงไว้ด้านล่าง

รุ่น	(A) ความยาวท่อ (ทางเดียว)	(B) ความแตกต่างของความสูง	(C) จำนวนการหักโค้ง (ทางเดียว)
SUY-SA18	สูงสุด 20 ม.	สูงสุด 12 ม.	สูงสุด 10
SUY-SA24/SA30	สูงสุด 30 ม.	สูงสุด 15 ม.	สูงสุด 10

- ซีดจำกัดความแตกต่างของความสูงจะรวมกัน โดยไม่คำนึงถึงว่าเครื่องภายในหรือภายนอกอาคารจะมีค่าสูงกว่า
- การปรับรับสารทำความเย็น ... หากความยาวของท่อเกินกว่า 7 ม. จำเป็นต้องเติมสารทำความเย็น (R410A) (เครื่องภายนอกอาคารจะเติมน้ำยาแอร์สำหรับท่อที่ยาวไม่เกิน 7 ม.)

ความยาวท่อ	ไม่เกิน 7 ม.	ไม่ต้องเติมเพิ่ม
	เกิน 7 ม.	ต้องเติมเพิ่ม (ดูตารางด้านล่าง)
สารทำความเย็นที่จะเพิ่ม	SUY-SA18	15 กรัม × (ความยาวท่อสารทำความเย็น (ม.) - 7)
	SUY-SA24/SA30	20 กรัม × (ความยาวท่อสารทำความเย็น (ม.) - 7)

การเตรียมท่อ

- ท่อสารทำความเย็นขนาด 3, 5, 7, 10 และ 15 ม. มีจำหน่ายเป็นอุปกรณ์เสริม

(1) ตารางด้านล่างแสดงข้อมูลจำเพาะของท่อที่มีจำหน่ายทั่วไป

รุ่น	ท่อ	เส้นผ่าศูนย์กลางภายนอก		ความหนาของผนังที่สุด	ความหนาของฉนวน	วัสดุฉนวน
		มม.	นิ้ว			
SUY-SA18	สำหรับของเหลว	6.35	1/4	0.8 มม.	8 มม.	พลาสติกโฟมที่ทนต่อความร้อนโดยมีความถ่วงจำเพาะ 0.045
	สำหรับก๊าซ	12.7	1/2	0.8 มม.	8 มม.	
SUY-SA24	สำหรับของเหลว	9.52	3/8	0.8 มม.	8 มม.	
	สำหรับก๊าซ	15.88	5/8	1.0 มม.	8 มม.	
SUY-SA30	สำหรับของเหลว	9.52	3/8	0.8 มม.	8 มม.	
	สำหรับก๊าซ	15.88	5/8	1.0 มม.	8 มม.	

(2) ควรแน่ใจว่าท่อสารทำความเย็น 2 ท่อมีการหุ้มฉนวนไว้เพื่อป้องกันการควบแน่น

(3) รัศมีการหักโค้งของท่อสารทำความเย็นจะต้องไม่น้อยกว่า 100 มม.

⚠ ข้อควรระวัง:

ใช้นานที่มีความหนาที่ระบอบอย่างเคร่งครัด หากมีความหนาไม่พอจะขัดขวางการจัดเก็บด้านหลังเครื่องภายในอาคาร และหากมีความหนาน้อยเกินไปอาจทำให้เกิดหยดน้ำได้ง่าย

4.2. การทำบานแพนซ์

- สาเหตุหลักที่ทำให้เกิดการรั่วไหลของก๊าซคือเกิดข้อบกพร่องในการทำบานแพนซ์ ทำการบานแพนซ์อย่างถูกต้องตามขั้นตอนต่อไปนี้

4.2.1. การตัดท่อ (Fig. 4-3)

- ใช้ตัวตัดท่อในการตัดท่อทองแดงอย่างถูกต้อง

4.2.2. การลบเศษ (Fig. 4-4)

- ลบเศษเสี้ยนออกจากส่วนที่ถูกตัดของท่อทองแดงออกให้หมด
- วางปลายท่อทองแดงให้เอียงลาดต่ำ เพื่อหลีกเลี่ยงไม่ให้มีเศษเสี้ยนตกค้างอยู่ในท่อ

4.2.3. การใส่นี๊ต (Fig. 4-5)

- ให้เอานี๊ตแพนซ์ทั้งของเครื่องตัวในและตัวนอกออก และใส่ไว้ที่ท่อ หลังจากลบเศษเสี้ยนของท่อทองแดงเรียบร้อยแล้ว (การใส่นี๊ตแพนซ์ไม่สามารถทำได้หลังจากการทำบานแพนซ์แล้ว)

4.2.4. การทำบานแพนซ์ (Fig. 4-6)

- ทำการบานแพนซ์โดยใช้เครื่องมือบานแพนซ์ดังแสดงไว้ในทางด้านขวา

เส้นผ่าศูนย์กลางท่อ (มม.)	ขนาด	
	A (มม.)	B _{0.4} ⁰ (มม.)
	เมื่อใช้เครื่องมือสำหรับ R410A	
	แบบยึด	
6.35	0 - 0.5	9.1
9.52	0 - 0.5	13.2
12.7	0 - 0.5	16.6
15.88	0 - 0.5	19.7

ยึดท่อทองแดงให้แน่นในแม่แบบตามขนาดที่แสดงไว้ในตารางข้างต้น

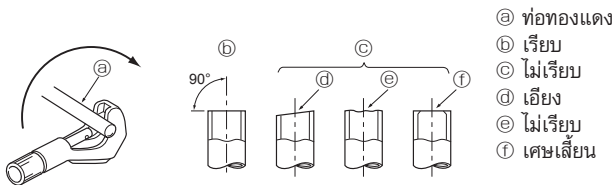


Fig. 4-3

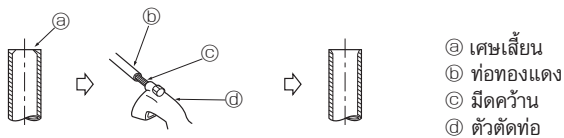


Fig. 4-4



Fig. 4-5

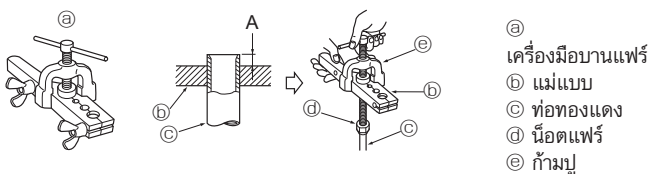


Fig. 4-6

4. งานเดินท่อสารทำความเย็น

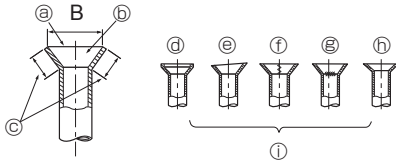


Fig. 4-7

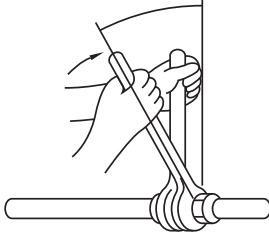


Fig. 4-8

4.2.5. การตรวจสอบ (Fig. 4-7)

- เปรียบเทียบท่อที่ทำบานแพนแล้วกับรูปทางด้านขวามือ
- หากส่วนที่บานของท่อไม่ถูกต้อง ให้ตัดส่วนที่บานออก และทำการบานแพนอีกครั้ง
 - Ⓐ เรียบทั้งหมด
 - Ⓑ มีรอยขีดข่วนที่ระนาบส่วนบาน
 - Ⓒ ด้านในสวยงามโดยไม่มีรอยขีดข่วน
 - Ⓓ แดงร้าว
 - Ⓔ ยาวเท่ากันทั้งหมด
 - Ⓕ ไม่เรียบ
 - Ⓖ มากเกินไป
 - Ⓖ ตัวอย่างที่ไม่ดี
 - Ⓗ เอียง

- ทาน้ำมันหล่อลื่นบางๆ บริเวณผิวของท่อน้ำยา (Fig. 4-8)
- ทำการสวมชั้นน็อตแพร์โดยตั้งกึ่งกลางท่อให้ตรงกัน แล้วหมุนประมาณ 3-4 รอบ
- โปรดดูตารางการใช้แรงขันที่แสดงด้านบนสำหรับการต่อจุดเชื่อมเครื่องตัวใน และขันให้แน่นโดยใช้ประแจสองตัว หากใช้แรงมากเกินไป ส่วนของท่อที่ทำบานแพนไว้อาจเสียหายได้

เส้นผ่าศูนย์กลางภายนอกของท่อทองแดง (มม.)	เส้นผ่าศูนย์กลางภายนอกของน็อตแพร์ (มม.)	แรงบิด (N-m)
φ6.35	17	14 - 18
φ9.52	22	34 - 42
φ12.7	26	49 - 61
φ15.88	29	68 - 82

⚠ คำเตือน:

เมื่อติดตั้งเครื่อง ให้ต่อท่อน้ำยาทำความเย็นให้แน่นก่อนเริ่มเดินเครื่องคอมเพรสเซอร์

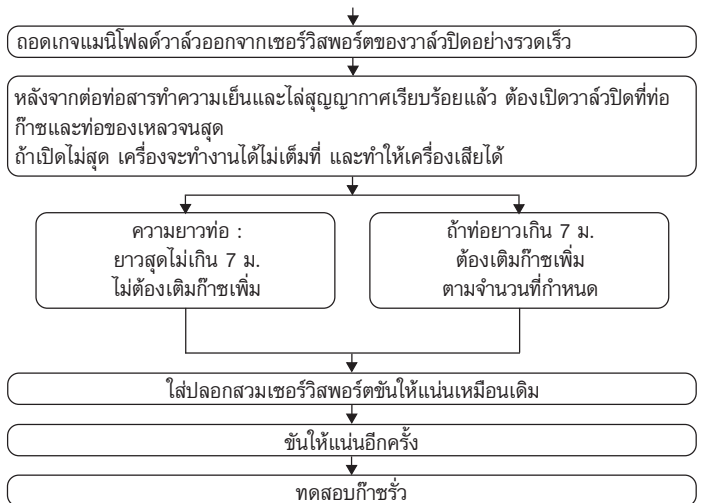
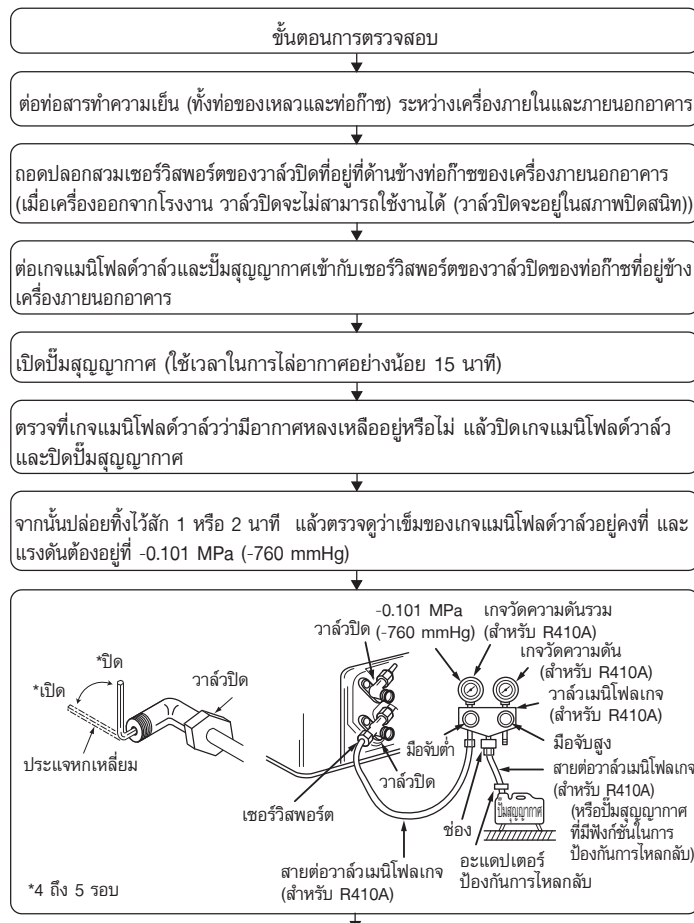
⚠ คำเตือน:

ควรระวังน็อตแพร์กระเด็น! (แรงดันภายใน)

ถอดน็อตแพร์ออกดังนี้

1. คลายน็อตจนกระทั่งได้ยินเสียงซ่า
2. อย่าถอดน็อตออกจนกว่าแก๊สจะปล่อยออกจนหมด (เสียงซ่าหมดไป)
3. ตรวจสอบว่าปล่อยแก๊สออกหมดแล้ว จึงถอดน็อตออก

4.5. ขั้นตอนการตรวจสอบรอยรั่ว



5. งานเดินสายไฟ

5.1. เครื่องภายนอกอาคาร (Fig. 5-1, Fig. 5-2, Fig. 5-3, Fig. 5-4)

- ① ถอดแผงตรวจสอบซ่อมแซมออก
- ② เดินสายตามที่แสดงใน Fig. 5-1, Fig. 5-2, Fig. 5-3 และ Fig. 5-4

■ SUY-SA18/24VA2

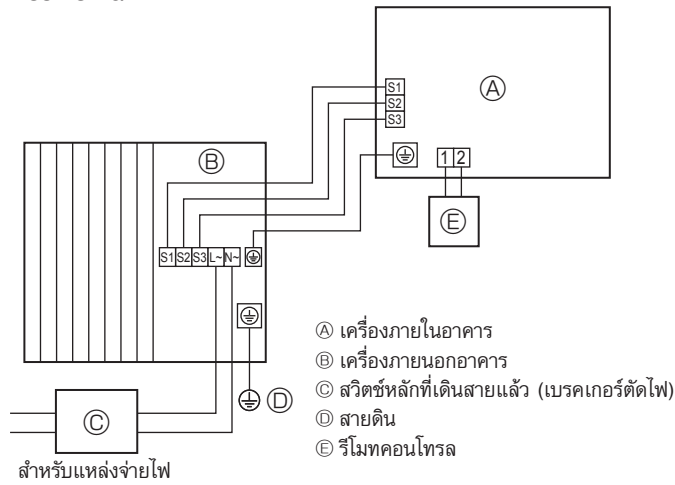
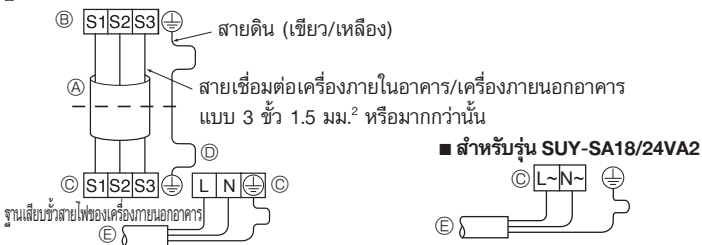


Fig. 5-1

ฐานเสียบหัวสายไฟของเครื่องภายในอาคาร



สายแหล่งจ่ายไฟ SUY-SA18: 2.0 มม.² หรือมากกว่า
 SUY-SA24/SA30: 2.5 มม.² หรือมากกว่า

Fig. 5-2

■ SUY-SA18VA2

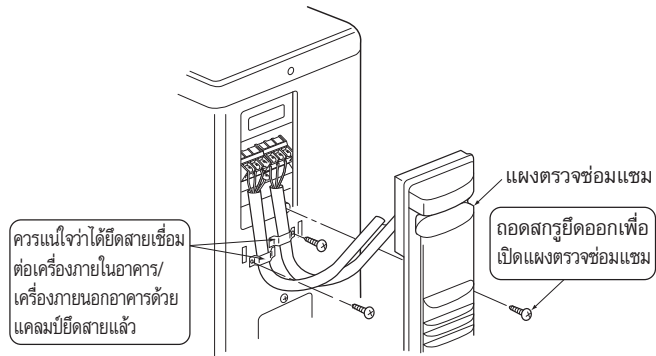


Fig. 5-3

■ SUY-SA24/30VA2

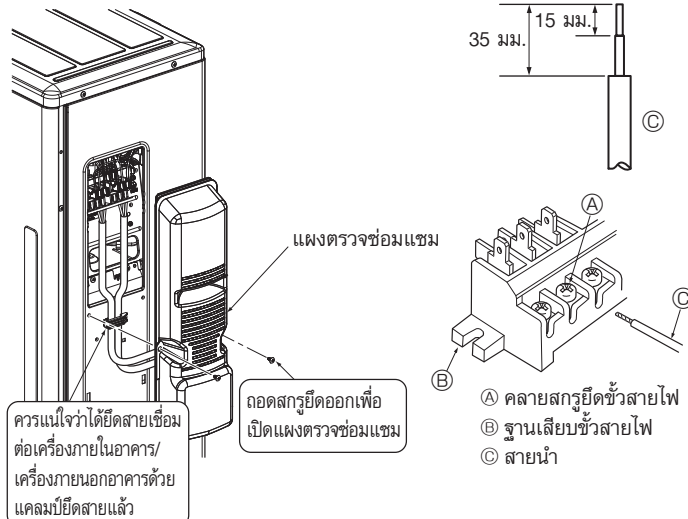
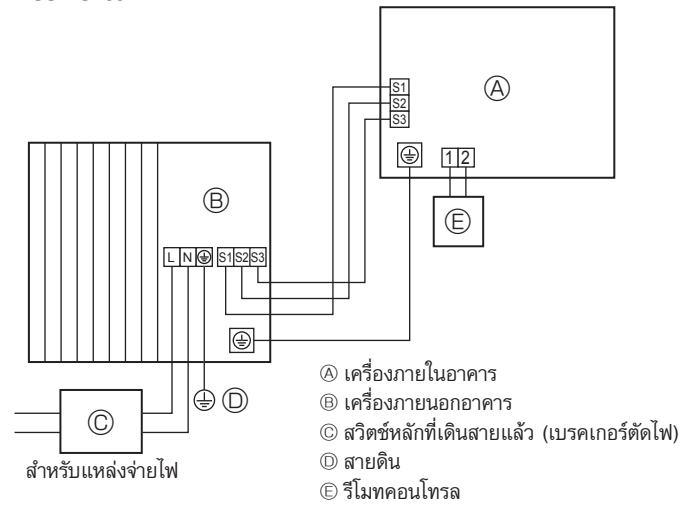


Fig. 5-4

■ SUY-SA30VA2



- ทำการเดินสายตามที่แสดงในแผนภาพด้านล่างทางซ้าย (ใช้สายเคเบิลที่มีในท้องถิ่น) (Fig. 5-2)

ตรวจสอบให้แน่ใจว่าได้ใช้หัวที่ถูกต้องของสายเคเบิลแล้ว

- สายเชื่อมต่อ
- ฐานเสียบหัวสายไฟของเครื่องภายในอาคาร
- ฐานเสียบหัวสายไฟของเครื่องภายนอกอาคาร
- ติดตั้งสายดินที่ยาวกว่าสายอื่นๆ เสมอ
- สายแหล่งจ่ายไฟ

- ให้สายดินยาวกว่าสายอื่นๆ เล็กน้อย (อย่างน้อย 100 มม.)
- สำหรับการตรวจสอบซ่อมแซมในอนาคต ควรเพิ่มความยาวพิเศษให้กับสายเชื่อมต่อ
- ควรแน่ใจว่าได้ติดตั้งสกนรียัดแต่ละตัวที่หัวสายไฟที่เกี่ยวข้องเมื่อทำการยึดสายและ/หรือสายไฟเข้ากับฐานเสียบหัวสายไฟ

- ต่อสายเคเบิลจากเครื่องภายในอาคารให้ถูกต้องบนฐานเสียบหัวสายไฟ
- ใช้ฐานเสียบหัวสายไฟและหัวเดียวกับที่ใช้ในเครื่องภายในอาคาร
- สำหรับการบำรุงรักษาหลังการดูแล ควรเพิ่มความยาวพิเศษให้กับสายเชื่อมต่อ

- ปกป้องปลายทั้งสองด้านของสายเชื่อมต่อ (สายต่อ) เมื่อสายยาวเกินไป หรือเชื่อมต่อ โดยการตัดที่กึ่งกลาง ให้ปกปิดสายแหล่งจ่ายไฟตามขนาดที่ระบุไว้ในรูป
- ควรระมัดระวังอย่าให้ท่อสัมผัสกับสายเชื่อมต่อ

⚠ ข้อควรระวัง:

- ให้ใช้ความระมัดระวังอย่าเดินสายผิด
- ชันสกนรียัดหัวสายไฟให้แน่นเพื่อป้องกันการหลุดหลวม
- หลังจากขันแน่นดีแล้ว ให้ค่อยๆ ดึงสายเพื่อให้แน่ใจว่าไม่หลุด

⚠ คำเตือน:

- ควรแน่ใจว่าได้ติดตั้งแผงตรวจสอบซ่อมแซมของเครื่องภายนอกอาคารแน่นหนาดีแล้ว หากติดตั้งไม่ถูกต้อง อาจทำให้เกิดไฟไหม้หรือไฟดูดจากฝุ่นละออง น้ำ ฯลฯ
- ชันสกนรียัดหัวสายไฟให้แน่น
- ควรเดินสายไฟให้เรียบร้อย โดยไม่ให้เกิดแรงดึงที่สายไฟ มิฉะนั้นอาจเกิดความร้อนหรือไฟไหม้ได้

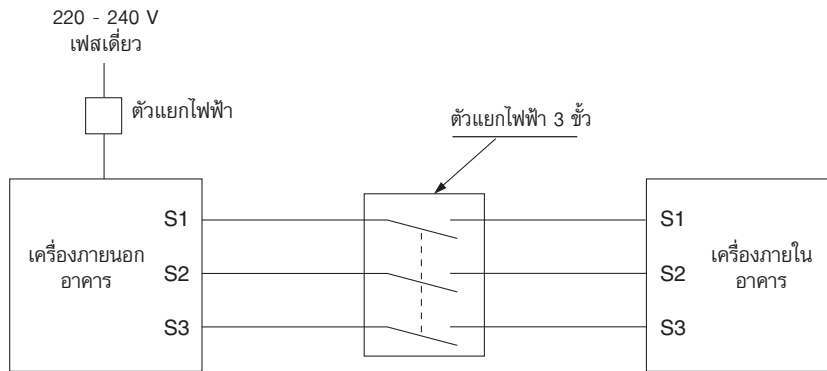
5. งานเดินสายไฟ

5.2. การเดินสายไฟภาคสนาม

รุ่นเครื่องภายนอกอาคาร		SUY-SA18VA2	SUY-SA24/SA30VA2
แหล่งจ่ายไฟเครื่องภายนอกอาคาร		~/N (ซึ่งเกิ้ล), 50 Hz, 220 - 240 V ~/N (ซึ่งเกิ้ล), 60 Hz, 220 - 230 V	~/N (ซึ่งเกิ้ล), 50 Hz, 220 - 240 V ~/N (ซึ่งเกิ้ล), 60 Hz, 220 - 230 V
ขนาดกระแสไฟฟ้าของเครื่องภายนอกอาคารสวิตซ์หลัก (เบรคเกอร์) *1		16 A	20 A
กำหนดสาย จำนวนสาย x ขนาด (มม. ²)	แหล่งจ่ายไฟเครื่องภายนอกอาคาร	2 x ชั้นต่ำ 2.0	2 x ชั้นต่ำ 2.5
	สายดินของแหล่งจ่ายไฟของเครื่องภายนอกอาคาร	1 x ชั้นต่ำ 2.0	1 x ชั้นต่ำ 2.5
	เครื่องภายในอาคาร-เครื่องภายนอกอาคาร	3 x 1.5 (แม่เหล็กไฟฟ้า)	3 x 1.5 (แม่เหล็กไฟฟ้า)
	เครื่องภายในอาคาร-เครื่องภายนอกอาคารต่อสายดิน	1 x ชั้นต่ำ 1.5	1 x ชั้นต่ำ 1.5
กำหนดวงจร	เครื่องภายนอกอาคาร L-N *2	220 VAC - 240 VAC	220 VAC - 240 VAC
	เครื่องภายในอาคาร-เครื่องภายนอกอาคาร S1-S2 *2	220 VAC - 240 VAC	220 VAC - 240 VAC
	เครื่องภายในอาคาร-เครื่องภายนอกอาคาร S2-S3 *2	12 VDC - 24 VDC	12 VDC - 24 VDC

- *1. ใช้เบรคเกอร์ที่มีส่วนสัมผัสอย่างน้อย 3 มม. แยกต่างหากในแต่ละขั้ว เบรคเกอร์แบบกันไฟฟ้าวัดลงดิน (NV) ตรวจสอบให้แน่ใจว่าเบรคเกอร์ตัดไฟสามารถทำงานร่วมกับฮาร์มอนิกที่สูงกว่าได้ ให้ใช้เบรคเกอร์ตัดไฟที่สามารถทำงานร่วมกับฮาร์มอนิกที่สูงกว่าได้ เนื่องจากเครื่องนี้ได้รับการติดตั้งพร้อมอินเวอร์เตอร์แล้ว ในการใช้เบรคเกอร์ที่ไม่เหมาะสมอาจทำให้อินเวอร์เตอร์ทำงานไม่ถูกต้อง
- *2. รูปไม่ได้แสดงการต่อสายดินทุกครั้ง ระหว่างขั้ว S3 และขั้ว S2 ใช้ 24 VDC แต่ระหว่างขั้ว S3 และ S1 ไม่มีฉนวนไฟฟ้าผ่านตัวแปลงไฟหรืออุปกรณ์อื่นๆ

- หมายเหตุ: 1. ขนาดของสายไฟต้องถูกต้องตามกฎเกณฑ์ของท้องถิ่น
2. สายพาวเวอร์ซีพไฟและสายของเครื่องภายใน/ภายนอกอาคารต้องไม่บางกว่าสายเคลือบโพลีคลอโรพรีน (รุ่น 60245 IEC 57)
3. ใช้สายดินที่ยาวกว่าสายอื่นๆ
4. ต้องติดตั้งเครื่องใช้ตามกฎการเดินสายของการไฟฟ้า

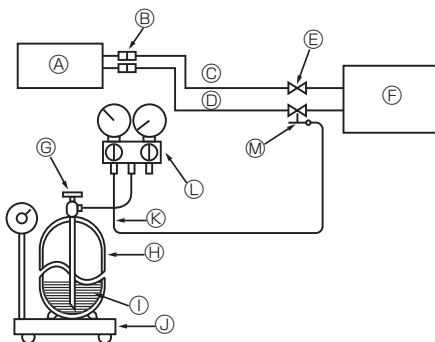


⚠ คำเตือน:

เกิดแรงดันไฟฟ้าสูงที่ขั้ว S3 ซึ่งเกิดจากการออกแบบวงจรไฟฟ้าที่ไม่มีฉนวนไฟฟ้าระหว่างสายไฟและสายสัญญาณสื่อสาร ดังนั้น โปรดปิดแหล่งจ่ายไฟหลักเมื่อทำการตรวจสอบ ช่อมแซม และห้ามสัมผัสขั้ว S1, S2, S3 เมื่อมีการจ่ายไฟ หากใช้ตัวแยกไฟระหว่างเครื่องภายในอาคารและเครื่องภายนอกอาคาร ควรใช้แบบ 3 ขั้ว

อย่าต่อสายไฟหรือสายเชื่อมต่อระหว่างเครื่องปรับอากาศภายในและภายนอก มิฉะนั้นอาจทำให้เกิดควัน ไฟไหม้ หรือทำให้การสื่อสารล้มเหลว

6. การบำรุงรักษา



- (A) เครื่องภายในอาคาร
(B) หัวต่อ
(C) ท่อของเหลว
(D) ท่อก๊าซ
(E) วาล์วปิด
(F) เครื่องภายนอกอาคาร
(G) วาล์วเปิดปิดกระบอกสูบก๊าซ
ทำความสะอาด
- (H) กระบอกสูบก๊าซทำความเย็นสำหรับ R410A แบบมีก้าน
(I) สารทำความเย็น (ของเหลว)
(J) ตาซึ่งไฟสำหรับการเติมสารทำความเย็น
(K) สายต่อวาล์วเมนิโฟลด์เกจ (สำหรับ R410A)
(L) วาล์วเมนิโฟลด์เกจ (สำหรับ R410A)
(M) เซอร์วิสพอร์ต

Fig. 6-1

6.1. การเติมก๊าซ (Fig. 6-1)

1. ต่อกระบอกสูบก๊าซไปยังเซอร์วิสพอร์ตของวาล์วปิด (3 ทาง)
2. ทำการระบายลมในท่อ (หรือท่อยาง) ออกจากกระบอกสูบก๊าซทำความเย็น
3. เติมสารทำความเย็นตามปริมาณที่ระบุไว้ ขณะเปิดเครื่องปรับอากาศในการทำความเย็น

หมายเหตุ:

ในกรณีเติมสารทำความเย็น ให้เป็นไปตามปริมาณที่ระบุสำหรับวงจรสารทำความเย็น

⚠ ข้อควรระวัง:

- อย่าปล่อยสารทำความเย็นออกสู่บรรยากาศ
ควรระมัดระวังอย่าปล่อยสารทำความเย็นออกสู่บรรยากาศระหว่างการติดตั้ง การติดตั้งใหม่ หรือการซ่อมแซมวงจรของสารทำความเย็น
- สำหรับการเติมเพิ่มเติม ให้เติมสารทำความเย็นจากส่วนของเหลวของกระบอกสูบก๊าซ หากเติมสารทำความเย็นจากส่วนก๊าซ อาจเกิดการเปลี่ยนแปลงขององค์ประกอบของสารทำความเย็นในด้านในกระบอกสูบและเครื่องภายนอกอาคาร ในกรณีนี้ อาจทำให้ประสิทธิภาพของสารทำความเย็นลดลงหรืออาจทำงานผิดปกติได้ อย่างไรก็ตาม การเติมสารทำความเย็นประเภทของเหลวทั้งหมดที่เดียวอาจทำให้คอมเพรสเซอร์ลัด ดังนั้น ให้ค่อยๆ เติมสารทำความเย็น

เพื่อรักษาระดับแรงดันสูงของกระบอกสูบก๊าซ ให้อุ่นกระบอกสูบก๊าซในน้ำอุ่น (ต่ำกว่า 40°C) ในช่วงสภาพอากาศเย็น ห้ามใช้เปลวไฟหรือไอน้ำโดยตรง

7. การดูแลเก็บสารทำความเย็น

เมื่อมีการเคลื่อนย้ายหรือถอดเครื่องปรับอากาศออก ให้ทำการดูแลเก็บสารทำความเย็นตามขั้นตอนต่อไปนี้ เพื่อไม่ให้สารทำความเย็นถูกปล่อยออกสู่อากาศ

- ① ปิดแหล่งจ่ายไฟ (เบรกเกอร์วงจร)
- ② ต่อเกจแมนิโพลด์วาล์วเข้ากับเซอร์วิสพอร์ตของวาล์วปิดที่ด้านท่อก๊าซของเครื่องภายนอกอาคาร
- ③ ปิดวาล์วปิดที่ด้านท่อของเหลวของเครื่องภายนอกอาคารจนสุด
- ④ ปิดแหล่งจ่ายไฟ (เบรกเกอร์วงจร)
- ⑤ ทำการเก็บสารทำความเย็น (การเดินเครื่องทดสอบระบบทำความเย็น)
 - สำหรับรุ่น PAR-21MAA กดปุ่ม “Test” สองครั้งเพื่อเริ่มการเดินเครื่องทดสอบ และจากนั้นเลือกโหมดทำความเย็น
 - สำหรับรายละเอียดหรือข้อมูลเพิ่มเติมเกี่ยวกับการเริ่มการเดินเครื่องทดสอบเมื่อใช้รีโมทคอนโทรล ให้ดูคู่มือการติดตั้งสำหรับเครื่องภายในอาคารหรือรีโมทคอนโทรล
- ⑥ ปิดวาล์วปิดที่ด้านท่อก๊าซของเครื่องภายนอกอาคารจนสุด เมื่อค่าความดันของเกจวัดความดันอยู่ที่ 0.05 ถึง 0 MPa [เกจ] (ประมาณ 0.5 ถึง 0 kgf/cm²) และปิดเครื่องปรับอากาศโดยเร็ว
 - ดันปุ่ม “ON/OFF” บนรีโมทคอนโทรลเพื่อปิดเครื่องปรับอากาศ
 - * โปรดจำไว้ว่าเมื่อใช้ท่อที่ยาวมาก ซึ่งมีสารทำความเย็นปริมาณมาก อาจไม่สามารถดูแลเก็บสารทำความเย็นได้ ในกรณีนี้ ให้ใช้อุปกรณ์การเติมสารทำความเย็นในการกักเก็บสารทำความเย็นในระบบทั้งหมด

⑦ ปิดแหล่งจ่ายไฟ (เบรกเกอร์วงจร) และถอดเกจแมนิโพลด์วาล์ว จากนั้นถอดท่อสารทำความเย็น

⚠ คำเตือน:

เมื่อทำการดูแลเก็บสารทำความเย็น ให้หยุดการทำงานของคอมเพรสเซอร์ก่อนที่จะถอดท่อสารทำความเย็น

- หากถอดท่อน้ำยาทำความเย็นออกขณะที่คอมเพรสเซอร์ทำงานและเปิดวาล์วปิด (บอลวาล์ว) อยู่แรงดันในวงจรสารทำความเย็นอาจสูงขึ้นผิดปกติ หากอากาศถูกดูดเข้าไป ซึ่งอาจทำให้ท่อระเบิด และทำให้ได้รับบาดเจ็บได้ ฯลฯ

8. ข้อมูลจำเพาะ

รุ่น		SUY-SA18VA2	SUY-SA24VA2	SUY-SA30VA2
ขนาด [มม.]	สูง	550	880	
	กว้าง	800	840	
	ยาว	285	330	
น้ำหนักสุทธิ [กก.]	ไทย	32	48	50
	อินเดีย	32	48	46
	ประเทศอื่น	32	49	47