

Air-Conditioners

PCY-SM•KAL-TH Series

INSTALLATION MANUAL

For safe and correct use, read this manual and the outdoor unit installation manual thoroughly before installing the air-conditioner unit.

FOR INSTALLER

คู่มือการติดตั้ง

เพื่อความปลอดภัยและการใช้ที่ถูกต้อง อ่านคู่มือเล่มนี้และคู่มือการติดตั้งเครื่องภายนอกอาคารให้ละเอียด ก่อนทำการติดตั้งเครื่องปรับอากาศ

สำหรับผู้ทำการติดตั้ง

English

ไทย

Contents





1. Safety precautions.....	2	6. Electrical work	7
2. Installation location.....	3	7. Test run.....	11
3. Installing the indoor unit	4	8. System control (For PUY application only).....	15
4. Installing the refrigerant piping	6	9. Easy maintenance function (For PUY application only)	15
5. Drainage piping work.....	7		

Note:
 The phrase "Wired remote controller" in this installation manual refers only to the PAR-21MAA.
 If you need any information for the other remote controller, please refer to either the installation manual or initial setting manual which are included in these boxes.



1. Safety precautions

- ▶ Before installing the unit, make sure you read all the "Safety precautions".
- ▶ The "Safety Precautions" provide very important points regarding safety. Make sure follow them.
- ▶ Please report to your supply authority or obtain their consent before connecting this equipment to the power supply system.



MEANINGS OF SYMBOLS DISPLAYED ON THE UNIT

	WARNING (Risk of fire)	This mark is for R32 refrigerant only. Refrigerant type is written on nameplate of outdoor unit. In case that refrigerant type is R32, this unit uses a flammable refrigerant. If refrigerant leaks and comes in contact with fire or heating part, it will create harmful gas and there is risk of fire.
	Read the OPERATION MANUAL carefully before operation.	
	Service personnel are required to carefully read the OPERATION MANUAL and INSTALLATION MANUAL before operation.	
	Further information is available in the OPERATION MANUAL, INSTALLATION MANUAL, and the like.	


Symbols used in the text

-  **Warning:**
Describes precautions that should be observed to prevent danger of injury or death to the user.
-  **Caution:**
Describes precautions that should be observed to prevent damage to the unit.

Symbols used in the illustrations

-  : Indicates a part which must be grounded.
-  : Be sure not to do

After installation work has been completed, explain the "Safety Precautions," use, and maintenance of the unit to the customer according to the information in the Operation Manual and perform the test run to ensure normal operation. Both the Installation Manual and Operation Manual must be given to the user for keeping. These manuals must be passed on to subsequent users.

-  **Warning:**
 - Carefully read the labels affixed to the main unit.
 - Ask a dealer or an authorized technician to install, relocate and repair the unit.
 - The user should never attempt to repair the unit or transfer it to another location.
 - Do not alter the unit. It may cause fire, electric shock, injury or water leakage.
 - For installation and relocation work, follow the instructions in the Installation Manual and use tools and pipe components specifically made for use with refrigerant specified in the outdoor unit installation manual.
 - The unit must be installed according to the instructions in order to minimize the risk of damage from earthquakes, typhoons, or strong winds. An incorrectly installed unit may fall down and cause damage or injuries.
 - The unit must be securely installed on a structure that can sustain its weight.
 - The appliance shall be stored in a well-ventilated area where the room size corresponds to the room area as specified for operation.
 - If the air conditioner is installed in a small room or closed room, measures must be taken to prevent the refrigerant concentration in the room from exceeding the safety limit in the event of refrigerant leakage. Should the refrigerant leak and cause the concentration limit to be exceeded, hazards due to lack of oxygen in the room may result.
 - Keep gas-burning appliances, electric heaters, and other fire sources (ignition sources) away from the location where installation, repair, and other air conditioner work will be performed.
- If refrigerant comes into contact with a flame, poisonous gases will be released.
- Ventilate the room if refrigerant leaks during operation. If refrigerant comes into contact with a flame, poisonous gases will be released.
- All electric work must be performed by a qualified technician according to local regulations and the instructions given in this manual.
- Use only specified cables for wiring. The wiring connections must be made securely with no tension applied on the terminal connections. Also, never splice the cables for wiring (unless otherwise indicated in this document). Failure to observe these instructions may result in overheating or a fire.
- Do not use intermediate connection of the electric wires.
- When installing or relocating, or servicing the air conditioner, use only the specified refrigerant written on outdoor unit to charge the refrigerant lines. Do not mix it with any other refrigerant and do not allow air to remain in the lines.
If air is mixed with the refrigerant, then it can be the cause of abnormal high pressure in the refrigerant line, and may result in an explosion and other hazards.

- The use of any refrigerant other than that specified for the system will cause mechanical failure or system malfunction or unit breakdown. In the worst case, this could lead to a serious impediment to securing product safety.
- The appliance shall be installed in accordance with national wiring regulations.
- This appliance is not intended for use by persons (including children) with reduced physical, sensory or mental capabilities, or lack of experience and knowledge, unless they have been given supervision or instruction concerning use of the appliance by a person responsible for their safety.
- Children should be supervised to ensure that they do not play with the appliance.
- The electrical box cover panel of the unit must be firmly attached.
- If the supply cord is damaged, it must be replaced by the manufacturer, its service agent or similarly qualified persons in order to avoid a hazard.
- Use only accessories authorized by Mitsubishi Electric and ask a dealer or an authorized technician to install them.
- After installation has been completed, check for refrigerant leaks. If refrigerant leaks into the room and comes into contact with the flame of a heater or portable cooking range, poisonous gases will be released.
- Do not use means to accelerate the defrosting process or to clean, other than those recommended by the manufacturer.
- The appliance shall be stored in a room without continuously operating ignition sources (for example: open flames, an operating gas appliance or an operating electric heater).
- Do not pierce or burn.
- Be aware that refrigerants may not contain an odour.
- Pipe-work shall be protected from physical damage.
- The installation of pipe-work shall be kept to a minimum.
- Compliance with national gas regulations shall be observed.
- Keep any required ventilation openings clear of obstruction.
- Do not use low temperature solder alloy in case of brazing the refrigerant pipes.
- When performing brazing work, be sure to ventilate the room sufficiently. Make sure that there are no hazardous or flammable materials nearby.
- When performing the work in a closed room, small room, or similar location, make sure that there are no refrigerant leaks before performing the work. If refrigerant leaks and accumulates, it may ignite or poisonous gases may be released.

1. Safety precautions

1.1. Before installation (Environment)

⚠ Caution:

- Do not use the unit in an unusual environment. If the air conditioner is installed in areas exposed to steam, volatile oil (including machine oil), or sulfuric gas, areas exposed to high salt content such as the seaside, the performance can be significantly reduced and the internal parts can be damaged.
- Do not install the unit where combustible gases may leak, be produced, flow, or accumulate. If combustible gas accumulates around the unit, fire or explosion may result.
- Do not keep food, plants, caged pets, artwork, or precision instruments in the direct airflow of the indoor unit or too close to the unit, as these items can be damaged by temperature changes or dripping water.

- When the room humidity exceeds 80% or when the drainpipe is clogged, water may drip from the indoor unit. Do not install the indoor unit where such dripping can cause damage.
- When installing the unit in a hospital or communications office, be prepared for noise and electronic interference. Inverters, home appliances, high-frequency medical equipment, and radio communications equipment can cause the air conditioner to malfunction or breakdown. The air conditioner may also affect medical equipment, disturbing medical care, and communications equipment, harming the screen display quality.

1.2. Before installation or relocation

⚠ Caution:

- Be extremely careful when transporting the units. Two or more persons are needed to handle the unit, as it weighs 20 kg or more. Do not grasp the packaging bands. Wear protective gloves as you can injure your hands on the fins or other parts.
- Be sure to safely dispose of the packaging materials. Packaging materials, such as nails and other metal or wooden parts may cause stabs or other injuries.
- Thermal insulation of the refrigerant pipe is necessary to prevent condensation. If the refrigerant pipe is not properly insulated, condensation will be formed.

- Place thermal insulation on the pipes to prevent condensation. If the drain-pipe is installed incorrectly, water leakage and damage to the ceiling, floor, furniture, or other possessions may result.
- Do not clean the air conditioner unit with water. Electric shock may result.
- Tighten all flare nuts to specification using a torque wrench. If tightened too much, the flare nut can break after an extended period.
- If the unit is run for long hours when the air above the ceiling is at high temperature/high humidity (dew point above 26 °C), dew condensation may be produced in the indoor unit or the ceiling materials. When operating the units in this condition, add insulation material (10-20 mm) to the entire surface of the unit and ceiling materials to avoid dew condensation.

1.3. Before electric work

⚠ Caution:

- Be sure to install circuit breakers. If not installed, electric shock may result.
- For the power lines, use standard cables of sufficient capacity. Otherwise, a short circuit, overheating, or fire may result.
- When installing the power lines, do not apply tension to the cables.

- Be sure to ground the unit. If the unit is not properly grounded, electric shock may result.
- Use circuit breakers (ground fault interrupter, isolating switch (+B fuse), and molded case circuit breaker) with the specified capacity. If the circuit breaker capacity is larger than the specified capacity, breakdown or fire may result.

1.4. Before starting the test run

⚠ Caution:

- Turn on the main power switch more than 12 hours before starting operation. Starting operation just after turning on the power switch can severely damage the internal parts.
- Before starting operation, check that all panels, guards and other protective parts are correctly installed. Rotating, hot, or high voltage parts can cause injuries.

- Do not operate the air conditioner without the air filter set in place. If the air filter is not installed, dust may accumulate and breakdown may result.
- Do not touch any switch with wet hands. Electric shock may result.
- Do not touch the refrigerant pipes with bare hands during operation.
- After stopping operation, be sure to wait at least five minutes before turning off the main power switch. Otherwise, water leakage or breakdown may result.

2. Installation location

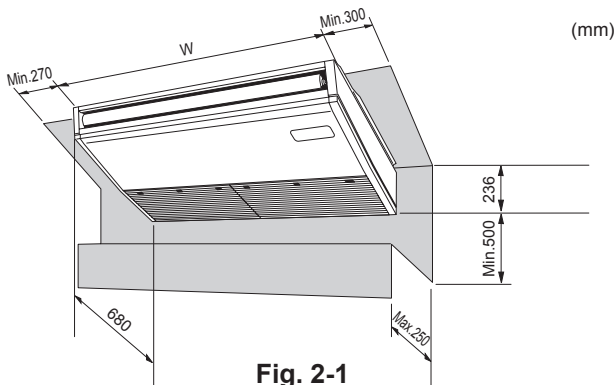


Fig. 2-1

2.1. Outline dimensions (Indoor unit) (Fig. 2-1)

Select a proper position allowing the following clearances for installation and maintenance.

Models	W
PCY-SM13, 18KAL	1280
PCY-SM24, 30, 36, 42, 48KAL	1600

⚠ Warning:

Mount the indoor unit on a ceiling strong enough to withstand the weight of the unit.

2.2. Outline dimensions (Outdoor unit)

Refer to the outdoor unit installation manual.

3. Installing the indoor unit

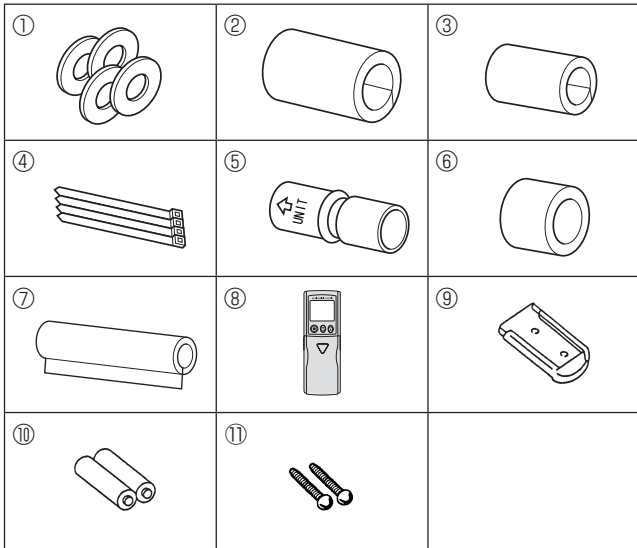


Fig. 3-1

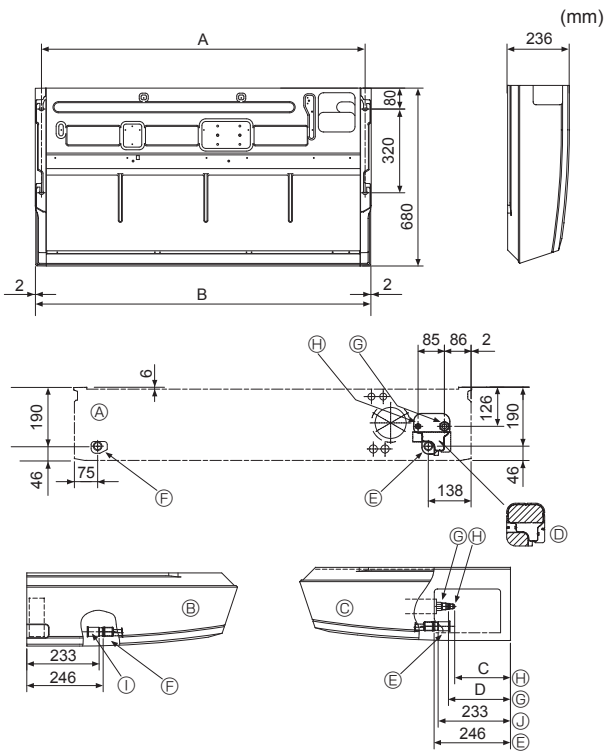


Fig. 3-2

3.1. Check the indoor unit accessories (Fig. 3-1)

The indoor unit should be supplied with the following accessories (contained in the inside of the intake grille).

	Accessory name	Q'ty
①	Washer	4 pcs
②	Pipe cover	1 pc Large size (For gas tubing)
③	Pipe cover	1 pc Small size (For liquid tubing)
④	Band	4 pcs
⑤	Joint socket	1 pc Marked with "UNIT"
⑥	Socket cover	1 pc
⑦	Drain tubing cover	1 pc
⑧	Wireless remote controller	1 pc
⑨	Remocon holder	1 pc
⑩	Alkaline batteries (size AAA)	2 pcs
⑪	Tapping screw 3.5 × 16	2 pcs

3.2. Preparation for installation (Fig. 3-2)

3.2.1. Suspension bolt installing spacing

Models	(mm)	
	A	B
PCY-SM13, 18KAL	1237	1280
PCY-SM24, 30, 36, 42, 48KAL	1557	1600

3.2.2. Refrigerant and drain tubing location

Models	(mm)	
	C	D
PCY-SM13, 18KAL	184	203
PCY-SM24, 30, 36, 42, 48KAL	180	200

- Ⓐ Front side outlet
- Ⓑ Left side outlet
- Ⓒ Right side outlet
- Ⓓ Independent piece (Removable)
- Ⓔ Right drain tubing
- Ⓕ Left drain tubing
- Ⓖ Gas tubing
- Ⓗ Liquid tubing
- Ⓚ Rubber plug
- Ⓛ with Joint socket Ⓜ

In case of the rear pipe arrangement, make sure to remove the shaded portions from the Ⓚ independent piece. Then put the Ⓚ independent piece back in initial position. (The heat exchanger might be clogged because of dust)

3. Installing the indoor unit

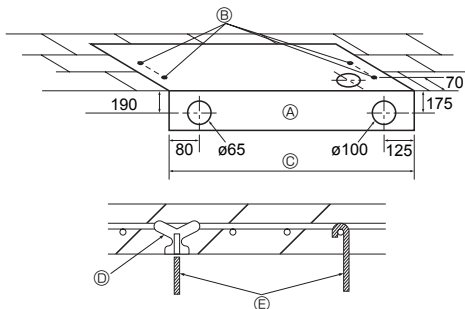


Fig. 3-3

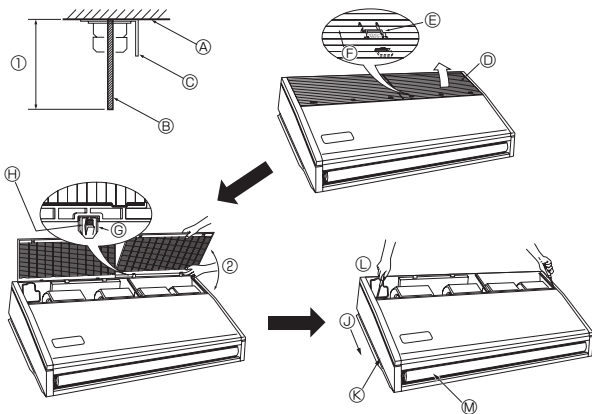


Fig. 3-4

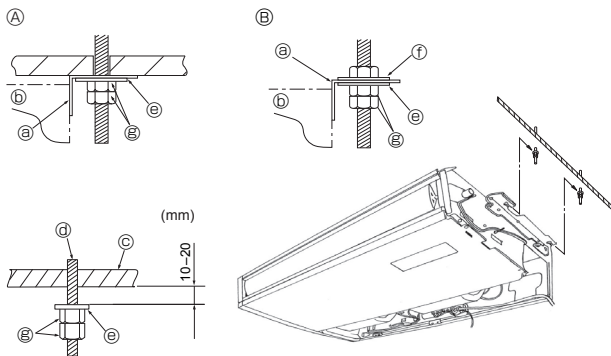


Fig. 3-5

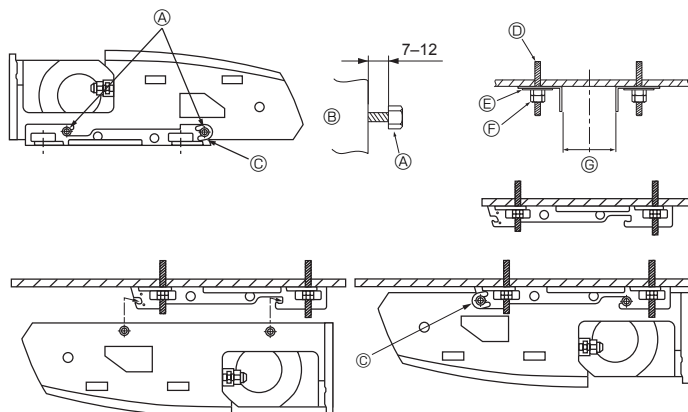


Fig. 3-6

3.2.2. Selection of suspension bolts and tubing positions (Fig. 3-3)

Using the pattern paper provided for installation, select proper positions for suspension bolts and tubing and prepare relative holes.

- Ⓐ Pattern paper
- Ⓑ Suspension bolt hole
- Ⓒ Indoor unit width

Secure the suspension bolts or use angle stock braces or square timbers for bolt installation.

- Ⓓ Use inserts of 100 kg to 150 kg each.
- Ⓔ Use suspension bolts of W3/8 or M10 in size.

3.2.3. Indoor unit preparation (Fig. 3-4)

1. Install the suspending bolts. (Procure the W3/8 or M10 bolts locally.)

Predetermine the length from the ceiling (Ⓓ within 100 mm).

Ⓐ Ceiling surface Ⓑ Suspensing bolt Ⓒ Suspensing bracket

2. Remove the intake grille.

Slide the intake grille holding knobs (at 3 locations) backward to open the intake grille.

3. Remove the side panel.

Remove the side panel holding screws (one in each side, right and left) then slide the side panel forward for removal.

- Ⓓ Intake grille
- Ⓔ Slide the side panel forward.
- Ⓔ Intake grille holding knob
- Ⓚ Side panel
- Ⓛ Slide
- Ⓛ Remove the side panel holding screws.
- Ⓜ Hinge
- Ⓜ Remove the protective vinyl of vane.
- Ⓜ Pushing the hinge, pull out the intake grille.
- Ⓜ Forcing open the intake grille or opening it to an angle of more than 120° may damage the hinges.

3.3. Installing the indoor unit (Fig. 3-5)

Use a proper suspending method depending on the presence or absence of ceiling materials as follows.

- Ⓐ In the presence of ceiling materials
- Ⓒ Ceiling
- Ⓑ In the absence of ceiling materials
- Ⓓ Suspensing bolt
- Ⓓ Suspensing bracket
- Ⓔ Washer Ⓛ
- Ⓔ Unit
- Ⓛ Washer (Local procurement)
- Ⓛ Double nuts

1) Directly suspending the unit

Installing procedures

1. Install the washer Ⓛ (supplied with the unit) and the nuts (to be locally procured).
2. Set (hook) the unit through the suspending bolts.
3. Tighten the nuts.

Check the unit installing condition.

- Check that the unit is horizontal between the right and left sides.
- Check that the front and the rear of suspending brackets are horizontal. (To keep drainage, the unit is inclined to the suspending brackets. The unit slopes continuously downward from the front to the rear is the right installation position.)

2) Installing the suspending bracket first onto the ceiling (Fig. 3-6)

Installing procedures

1. Remove the suspending brackets and U-shaped washers from the unit.
2. Adjust the suspending bracket holding bolts on the unit.
3. Attach the suspending brackets to the suspending bolts.
4. Check that the suspending brackets are horizontal (front and rear/right and left).
5. Set (hook) the unit to the suspending brackets.
6. Tighten fixed bolts of the suspending brackets.

* Be sure to install the U-shaped washers.

- Ⓐ Suspensing bracket holding bolt
- Ⓑ Unit
- Ⓒ U-shaped washer
- Ⓓ Suspensing bolt
- Ⓔ Washer Ⓛ
- Ⓛ Double nuts

	(mm)
PCY-SM13, 18KAL	1202-1207
PCY-SM24, 30, 36, 42, 48KAL	1522-1527

4. Installing the refrigerant piping

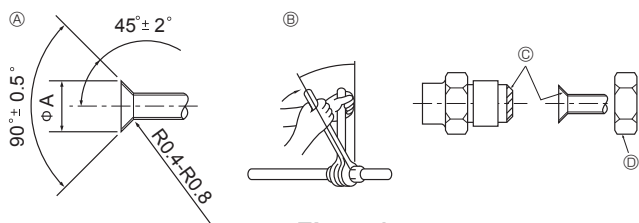


Fig. 4-1

④ Flare cutting dimensions

Copper pipe O.D. (mm)	Flare dimensions ϕA dimensions (mm)
$\phi 6.35$	8.7 - 9.1
$\phi 9.52$	12.8 - 13.2
$\phi 12.7$	16.2 - 16.6
$\phi 15.88$	19.3 - 19.7
$\phi 19.05$	23.6 - 24.0

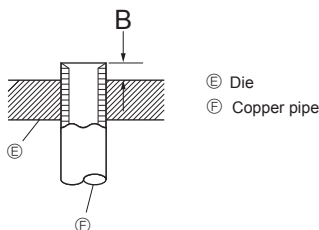


Fig. 4-2

Copper pipe O.D. (mm)	B (mm)
	Flare tool for R32 Clutch type
$\phi 6.35$ (1/4")	0 - 0.5
$\phi 9.52$ (3/8")	0 - 0.5
$\phi 12.7$ (1/2")	0 - 0.5
$\phi 15.88$ (5/8")	0 - 0.5
$\phi 19.05$ (3/4")	0 - 0.5

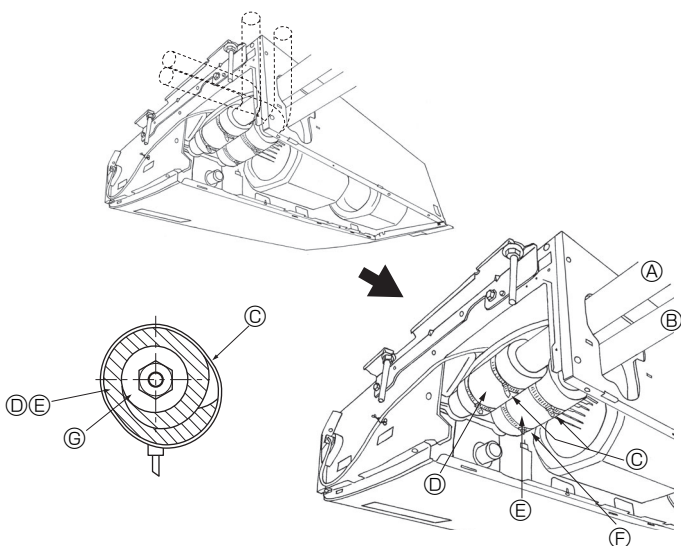


Fig. 4-3

4.1. Precautions

For devices that use R32 refrigerant

- Use ester oil, ether oil or alkylbenzene oil (small amount) as the refrigeration oil applied to the flared sections.
- Use C1220 copper phosphorus for copper and copper alloy seamless pipes, to connect the refrigerant pipes. Use refrigerant pipes with the thicknesses specified in the table below. Make sure the insides of the pipes are clean and do not contain any harmful contaminants such as sulfuric compounds, oxidants, debris, or dust.

⚠ Warning:

When installing or relocating, or servicing the air conditioner, use only the specified refrigerant (R32) to charge the refrigerant lines. Do not mix it with any other refrigerant and do not allow air to remain in the lines.

If air is mixed with the refrigerant, then it can be the cause of abnormal high pressure in the refrigerant line, and may result in an explosion and other hazards. The use of any refrigerant other than that specified for the system will cause mechanical failure or system malfunction or unit breakdown. In the worst case, this could lead to a serious impediment to securing product safety.

	PCY-SM13, 18KAL	PCY-SM24, 30, 36, 42, 48KAL
Liquid pipe	$\phi 6.35$ thickness 0.8 mm	$\phi 9.52$ thickness 0.8 mm
Gas pipe	$\phi 12.7$ thickness 0.8 mm	$\phi 15.88$ thickness 1.0 mm

- Do not use pipes thinner than those specified above.

4.2. Connecting pipes (Fig. 4-1)

- When commercially available copper pipes are used, wrap liquid and gas pipes with commercially available insulation materials (heat-resistant to 100 °C or more, thickness of 15 mm or more).
- The indoor parts of the drain pipe should be wrapped with polyethylene foam insulation materials (specific gravity of 0.03, thickness of 9 mm or more).
- Apply thin layer of refrigerant oil to pipe and joint seating surface before tightening flare nut.
- Use two wrenches to tighten piping connections.
- Use refrigerant piping insulation provided to insulate indoor unit connections. Insulate carefully.

④ Flare nut tightening torque

Copper pipe O.D. (mm)	Flare nut O.D. (mm)	Tightening torque (N·m)
$\phi 6.35$	17	14-18
$\phi 6.35$	22	34-42
$\phi 9.52$	22	34-42
$\phi 12.7$	26	49-61
$\phi 12.7$	29	68-82
$\phi 15.88$	29	68-82
$\phi 15.88$	36	100-120
$\phi 19.05$	36	100-120

④ Apply refrigerating machine oil over the entire flare seat surface.

④ Use correct flare nuts meeting the pipe size of the outdoor unit.

Available pipe size

	PCY-SM13, 18KAL	PCY-SM24, 30, 36, 42, 48KAL
Liquid side	$\phi 6.35$ O	-
Gas side	$\phi 12.7$ O	$\phi 15.88$ O

O: Factory flare nut attachment to the heat exchanger.

⚠ Warning:

When installing the unit, securely connect the refrigerant pipes before starting the compressor.

4.3. Indoor unit (Fig. 4-3)

Installing procedures

1. Slide the supplied pipe cover ② over the gas tubing until it is pressed against the sheet metal inside the unit.
2. Slide the provided pipe cover ③ over the liquid tubing until it is pressed against the sheet metal inside the unit.
3. Tighten the pipe covers ② and ③ at the both ends (20 mm) with the supplied bands ④.

④ Gas tubing

④ Pipe cover ③

④ Liquid tubing

④ Press the pipe cover against the sheet metal.

④ Band ④

④ Refrigerant tubing heat insulating material

④ Pipe cover ②

5. Drainage piping work

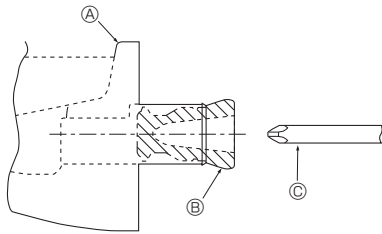


Fig. 5-1

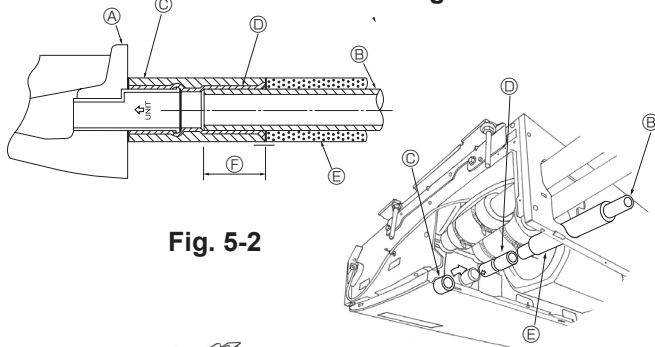


Fig. 5-2

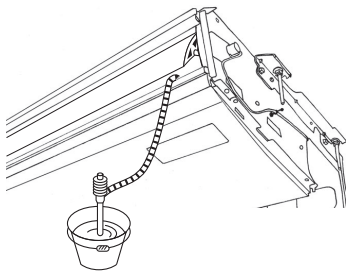


Fig. 5-3

5.1. Drainage piping work (Fig. 5-1)

- For left side tubing, be sure to insert the rubber plug into the right drain port. (Fig. 5-1)
- Use VP-20 (O.D. ø26 (1")) PVC TUBE) for drain piping and provide 1/100 or more downward slope.
- After completion of work, check that correct drain is available from the outflow port of the drain tubing.
 - Ⓐ Drain pan
 - Ⓑ Plug
 - Ⓒ Insert the driver etc.in the plug deeply.

Installing procedures (Fig. 5-2)

1. Attach the joint socket ⑤ supplied with the unit to the drain port on the unit with a vinyl chloride adhesive.
2. Fasten the socket cover ⑥ supplied with the unit to the joint socket ⑤.
3. Attach the field drain tubing (VP-20) to the joint socket ⑤ with a vinyl chloride adhesive.
4. Wrap the drain tubing cover ⑦ supplied with the unit. (Seam taping)
 - Ⓐ Drain pan
 - Ⓑ Drain tubing
 - Ⓒ Socket cover ⑥
 - Ⓓ Joint socket ⑤
 - Ⓔ Drain tubing cover ⑦
 - Ⓕ Insertion length 37 mm

5. Check for correct drainage. (Fig. 5-3)

- * Fill the drain pan with water of about 1000 cc from the air outlet.

6. Electrical work

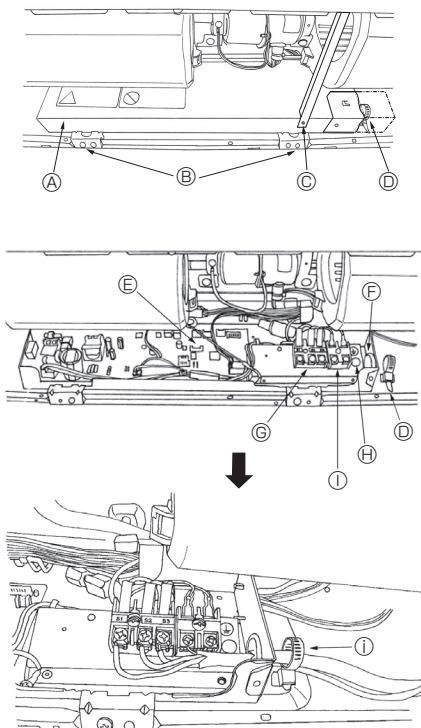


Fig. 6-1

6.1. Electric wiring (Fig. 6-1)

Wiring procedures

1. Remove the tapping screw ③ then remove the beam.
2. Remove the (2) tapping screws ② then remove the electric part cover ①.
3. Connect the electric wires securely to the corresponding terminals.
4. Replace the removed parts.
5. Tie the electric wires with the local wiring clamp located in the right side of the electrical box.
 - Ⓐ Cover
 - Ⓑ Set screws (2 pcs)
 - Ⓒ Set screws (Beam)
 - Ⓓ Wiring clamp
 - Ⓔ Control board
 - Ⓕ Wire service entrance
 - Ⓖ Terminal block for indoor and outdoor units connection
 - Ⓗ Grounding cable connector
 - Ⓖ Terminal block for Remote controller
 - Ⓖ Secure with the wiring clamp.

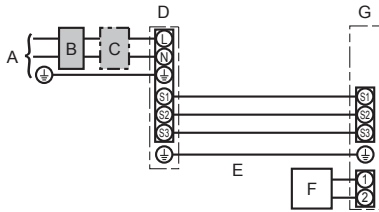
6. Electrical work

6.1.1. Indoor unit power supplied from outdoor unit

The following connection patterns are available.

The outdoor unit power supply patterns vary on models.

1:1 System



- A Outdoor unit power supply
- B Earth leakage breaker
- C Wiring circuit breaker or isolating switch
- D Outdoor unit
- E Indoor unit/outdoor unit connecting cords
- F Remote controller
- G Indoor unit

* Affix label A that is included with the manuals near each wiring diagram for the indoor and outdoor units.

Indoor unit model		PCY	
Wiring Wire No. x size (mm ²)	Indoor unit-Outdoor unit	*1	3 × 1.5 (polar)
	Indoor unit-Outdoor unit earth	*1	1 × Min.1.5
	Indoor unit earth		1 × Min.1.5
	Remote controller-Indoor unit	*2	2 × 0.3 (Non-polar)
Circuit rating	Indoor unit (Heater) L-N	*3	-
	Indoor unit-Outdoor unit S1-S2	*3	220 VAC
	Indoor unit-Outdoor unit S2-S3	*3	24 VDC
	Remote controller-Indoor unit	*3	12 VDC

*1. Max. 45 m

If 2.5 mm² used, Max. 50 m

If 2.5 mm² used and S3 separated, Max. 80 m

*2. The 10 m wire is attached in the remote controller accessory. Max. 500 m

*3. The figures are NOT always against the ground.

S3 terminal has 24 VDC against S2 terminal. However between S3 and S1, these terminals are not electrically insulated by the transformer or other device.

- Notes:**
1. Wiring size must comply with the applicable local and national code.
 2. Power supply cords and indoor unit/outdoor unit connecting cords shall not be lighter than polychloroprene sheathed flexible cord. (Design 60245 IEC 57)
 3. Install an earth longer than other cables.
 4. Indoor and outdoor connecting wires have polarities. Make sure to match the terminal number (S1, S2, S3) for correct wirings.
 5. Wiring for remote controller cable shall be apart (5 cm or more) from power source wiring so that it is not influenced by electric noise from power source wiring.
 6. Installation must be comply with the electrical wiring rule.

6. Electrical work

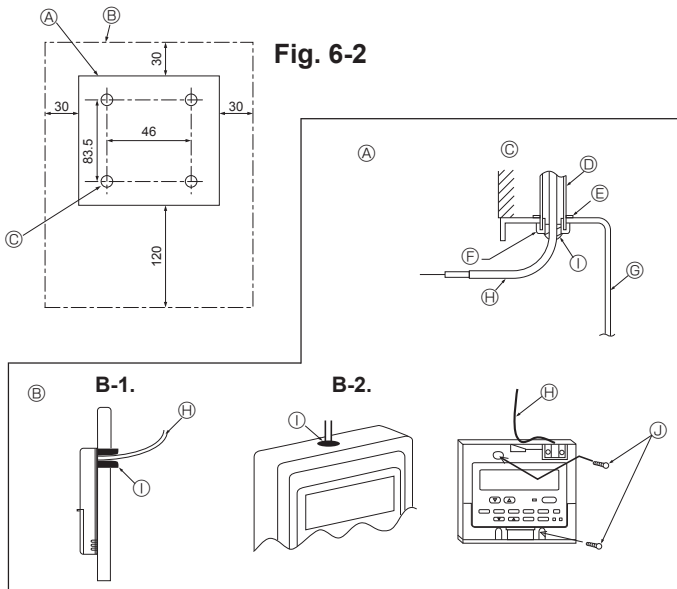


Fig. 6-2

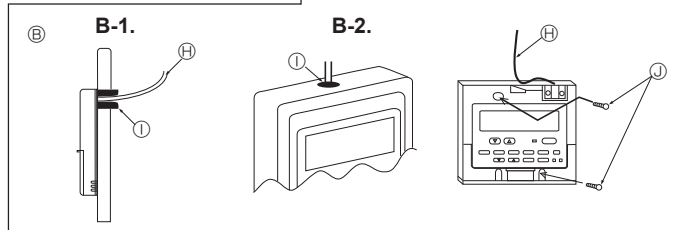


Fig. 6-3

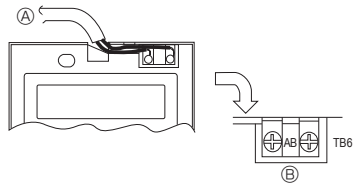


Fig. 6-4

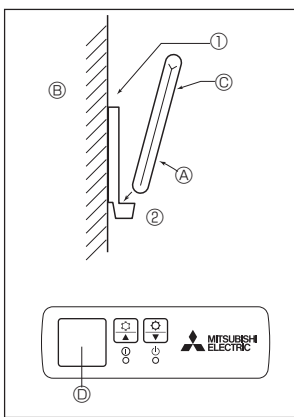


Fig. 6-5

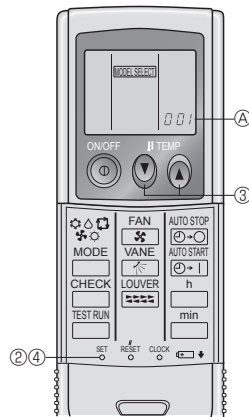


Fig. 6-6

6.2. Remote controller

6.2.1. For wired remote controller (optional parts)

1) Installing procedures

(1) Select an installing position for the remote controller. (Fig. 6-2)

The temperature sensors are located on both remote controller and indoor unit.

► Procure the following parts locally:

- 2 piece switch box
- Thin copper conduit tube
- Lock nuts and bushings

[Fig. 6-2]

- Ⓐ Remote controller profile
 - Ⓑ Required clearances surrounding the remote controller
 - Ⓒ Installation pitch
- (2) Seal the service entrance for the remote controller cord with putty to prevent possible invasion of dew drops, water, cockroaches or worms. (Fig. 6-3)

Ⓐ For installation in the switch box

Ⓑ For direct installation on the wall, select one of the following:

- Prepare a hole through the wall to pass the remote controller cord (in order to run the remote controller cord from the back), then seal the hole with putty.
- Run the remote controller cord through the cut-out upper case, then seal the cut-out notch with putty.

B-1. To lead the remote controller cord from the back of the controller

B-2. To run the remote controller cord through the upper portion

[Fig. 6-3]

- Ⓒ Wall
- Ⓓ Lock nut
- Ⓔ Seal with putty
- Ⓔ Conduit
- Ⓕ Bushing
- Ⓕ Remote controller cord
- Ⓖ Switch box
- Ⓖ Wood screw

2) Connecting procedures (Fig. 6-4)

① Connect the remote controller cord to the terminal block.

Ⓐ To TB5 on the indoor unit

Ⓑ TB6 (No polarity)

3) 2 remote controllers setting

If 2 remote controllers are connected, set one to "Main" and the other to "Sub". For setting procedures, refer to "Function selection of remote controller" in the operation manual for the indoor unit.

Note:

When connecting 2 remote controllers, be sure to use the same model of remote controller. The PAR-21MAA and PAR-40MAA cannot be used together.

6.2.2. For wireless remote controller

1) Installation area

- Area in which the remote controller is not exposed to direct sunshine.
- Area in which there is no nearby heating source.
- Area in which the remote controller is not exposed to cold (or hot) winds.
- Area in which the remote controller can be operated easily.
- Area in which the remote controller is beyond the reach of children.

2) Installation method (Fig. 6-5)

- ① Attach the remote controller holder to the desired location using 2 tapping screws.
- ② Place the lower end of the controller into the holder.

Ⓐ Remote controller Ⓑ Wall Ⓒ Display panel Ⓓ Receiver

- The signal can travel up to approximately 7 meters (in a straight line) within 45 degrees to both right and left of the center line of the receiver.

3) Setting (Fig. 6-6)

① Insert batteries.

② Press the SET button with something sharp at the end.

MODEL SELECT blinks and Model No. is lighted.

③ Press the temp **▲** **▼** buttons to set the Model No.

If you mistook the operation, press the ON/OFF **Ⓢ** button and operate again from procedure ③.

④ Press the SET button with something sharp at the end.

MODEL SELECT and Model No. are lighted for 3 seconds, then turned off.

Indoor	Ⓐ Model No.
PCY	033

6. Electrical work

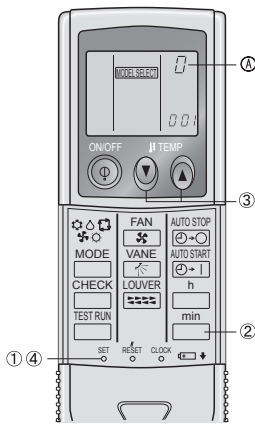


Fig. 6-7

5) Assigning a remote controller to each unit

Each unit can be operated only by the assigned remote controller.

Make sure each pair of an indoor unit PC board and a remote controller is assigned to the same pair No.

6) Wireless remote controller pair number setting operation (Fig. 6-7)

① Press the SET button with something sharp at the end.

Start this operation from the status of remote controller display turned off.

MODEL SELECT blinks and Model No. is lighted.

② Press the \square_{min} button twice continuously.

Pair No. "0" blinks.

③ Press the temp \odot \odot buttons to set the pair number you want to set.

If you mistook the operation, press the ON/OFF \odot button and operate again from procedure 2.

④ Press the SET button with something sharp at the end.

Set pair number is lighted for three seconds then turned off.

④ Pair No. of wireless remote controller	Indoor PC board
0	Factory setting
1	Cut J41
2	Cut J42
3-9	Cut J41, J42

6.3. Function settings

6.3.1. Function setting on the unit (Selecting the unit functions)

1) For wired remote controller (Fig. 6-8)

Changing the power voltage setting

• Be sure to change the power voltage setting depending on the voltage used.

① Go to the function setting mode.

Switch OFF the remote controller.

Press the FILTER Δ and TEST RUN \odot buttons simultaneously and hold them for at least 2 seconds. FUNCTION will start to blink.

② Use the \odot buttons to set the refrigerant address (III) to 00.

③ Press \odot button and [-] will start to blink in the unit number (IV) display.

④ Use the \odot buttons to set the unit number (IV) to 00.

⑤ Press the MODE button \odot to designate the refrigerant address/unit number. [-] will blink in the mode number (I) display momentarily.

⑥ Press the \odot buttons to set the mode number (I) to 04.

⑦ Press the \odot button and the current set setting number (II) will blink.

Use the \odot button to switch the setting number in response to the power supply voltage to be used.

Power supply voltage

240 V : setting number = 1

220 V, 230 V : setting number = 2

⑧ Press the MODE button \odot and mode and the setting number (I) and (II) will change to being on constantly and the contents of the setting can be confirmed.

⑨ Press the FILTER Δ and TEST RUN \odot buttons simultaneously for at least two seconds. The function selection screen will disappear momentarily and the air conditioner OFF display will appear.

2) For wireless remote controller (Fig. 6-9)

Changing the power voltage setting

• Be sure to change the power voltage setting depending on the voltage used.

① Going to the function select mode

Press the \square_{CHECK} button \odot twice continuously.

(Start this operation from the status of remote controller display turned off.)

CHECK is lighted and "00" blinks.

Press the \odot temp button \odot once to set "50". Direct the wireless remote controller toward the receiver of the indoor unit and press the \square_{h} button Δ .

② Setting the unit number

Press the \odot \odot temp buttons \odot and \odot to set the unit number "00". Direct the wireless remote controller toward the receiver of the indoor unit and press the \square_{min} button \odot .

③ Selecting a mode

Enter 04 to change the power voltage setting using the \odot \odot temp buttons \odot and \odot . Direct the wireless remote controller toward the receiver of the indoor unit and press the \square_{h} button Δ .

Current setting number: 1 = 1 beep (one second)
2 = 2 beeps (one second each)
3 = 3 beeps (one second each)

④ Selecting the setting number

Use the \odot \odot temp buttons \odot and \odot to change the power voltage setting to 01 (240 V). Direct the wireless remote controller toward the sensor of the indoor unit and press the \square_{h} button Δ .

⑤ To select multiple functions continuously

Repeat steps ③ and ④ to change multiple function settings continuously.

⑥ Complete function selection

Direct the wireless remote controller toward the sensor of the indoor unit and press the \odot button \odot .

Note: Whenever changes are made to the function settings after installation or maintenance, be sure to record the changes with a mark in the "Setting" column of the Function table.

6.3.2. Function setting on the remote controller

Refer to the indoor unit operation manual.

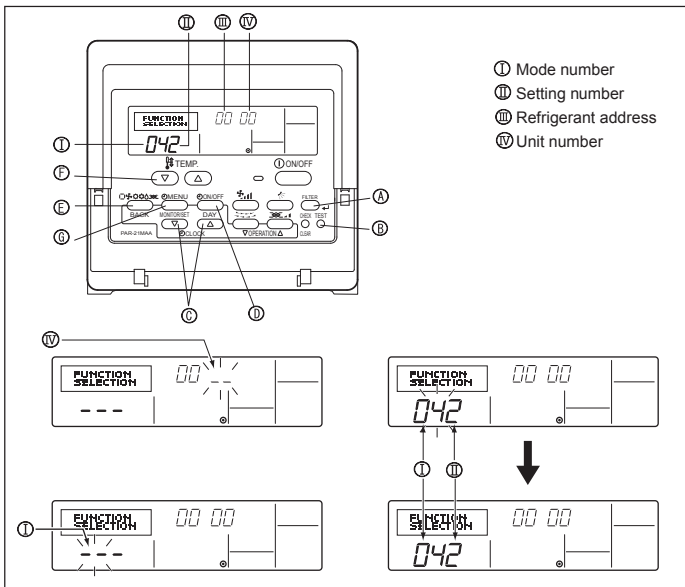


Fig. 6-8

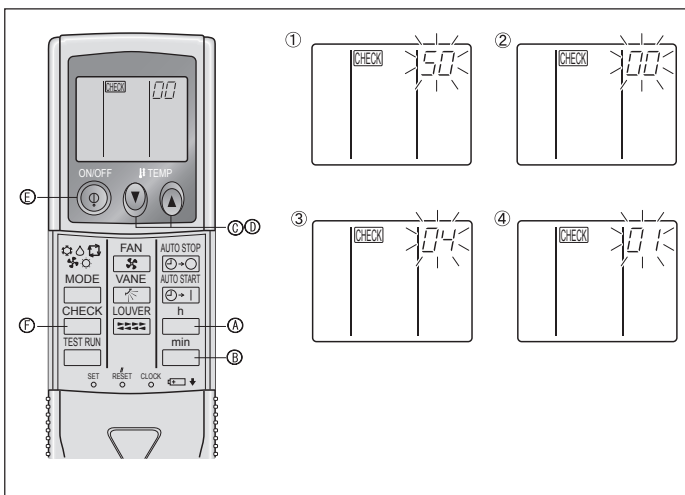


Fig. 6-9

6. Electrical work

Function table

Select unit number 00

Mode	Settings	Mode no.	Setting no.	Initial setting	Setting
Power failure automatic recovery	Not available	01	1		
	Available *1		2	○	
Indoor temperature detecting	Indoor unit operating average	02	1	○	
	Set by indoor unit's remote controller		2		
	Remote controller's internal sensor		3		
LOSSNAY connectivity	Not Supported	03	1	○	
	Supported (indoor unit is not equipped with outdoor-air intake)		2		
	Supported (indoor unit is equipped with outdoor-air intake)		3		
Power voltage	240 V	04	1		
	220 V, 230 V		2	○	

Select unit numbers 01 to 03 or all units (AL [wired remote controller]/07 [wireless remote controller])

Mode	Settings	Mode no.	Setting no.	Initial setting	Setting
Filter sign	100h *2	07	1		
	2500h *2		2	○	
	No filter sign indicator		3		
Fan speed	Silent	08	1		
	Standard		2	○	
	High ceiling		3		
UP/down vane setting	No. Vanes	11	1		
	Equipped with vanes (vanes angle setup ①)		2	○	
	Equipped with vanes (vanes angle setup ②)		3		

*1 When the power supply returns, the air conditioner will start 3 minutes later.

*2 The functions above are available only when the wired remote controller is used.

7. Test run

7.1. Before test run

- ▶ After completing installation and the wiring and piping of the indoor and outdoor units, check for refrigerant leakage, looseness in the power supply or control wiring, wrong polarity, and no disconnection of one phase in the supply.
- ▶ Use a 500-volt megohmmeter to check that the resistance between the power supply terminals and ground is at least 1.0 MΩ.

- ▶ Do not carry out this test on the control wiring (low voltage circuit) terminals.
- ⚠ **Warning:**
Do not use the air conditioner if the insulation resistance is less than 1.0 MΩ.

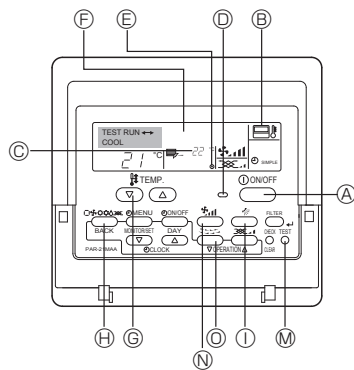


Fig. 7-1

- Ⓐ ON/OFF button
- Ⓑ Test run display
- Ⓒ Indoor temperature liquid line temperature display
- Ⓓ ON/OFF lamp
- Ⓔ Power display
- Ⓕ Error code display
- Ⓖ Test run remaining time display
- Ⓗ Set temperature button
- Ⓘ Mode selection button
- Ⓚ Air direction button
- Ⓛ TEST button
- Ⓝ Fan speed button
- Ⓞ Louver button

7.2. Test run

The following 3 methods are available.

7.2.1. Using wired remote controller (Fig. 7-1)

- ① Turn on the power at least 12 hours before the test run.
- ② Press the [TEST] button twice. "TEST RUN" liquid crystal display
- ③ Press the [Mode selection] button and switch to the cooling mode.
 - ➡ Make sure that cold wind is blown out.
- ④ Press the [Fan speed] button. ➡ Make sure that the wind speed is switched.
- ⑤ Press the [Air direction button] or [Louver button].
 - ➡ Check operation of the vane or louver.
- ⑥ Check operation of the outdoor unit fan.
- ⑦ Release test run by pressing the [ON/OFF] button. ➡ Stop
- ⑧ Register a telephone number.

The telephone number of the repair shop, sales office, etc., to contact if an error occurs can be registered in the remote controller. The telephone number will be displayed when an error occurs. For registration procedures, refer to the operation manual for the indoor unit.

7. Test run

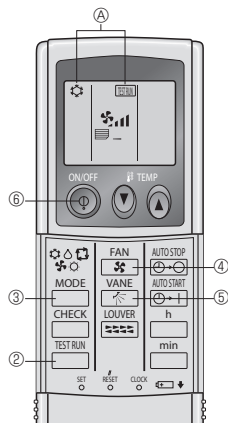


Fig. 7-2

7.2.2. Using wireless remote controller (Fig. 7-2)

- ① Turn on the power to the unit at least 12 hours before the test run.
- ② Press the button twice continuously.
(Start this operation from the status of remote controller display turned off.)
A and current operation mode are displayed.
- ③ Press the button to activate mode, then check whether cool air is blown out from the unit.
- ④ Press the button and check whether fan speed changes.
- ⑤ Press the button and check whether the auto vane operates properly.
- ⑥ Press the ON/OFF button to stop the test run.

Note:

- Point the remote controller towards the indoor unit receiver while following steps ② to ⑥.
- It is not possible to run the in FAN or DRY.

7.2.3. Using SW4 in outdoor unit

Refer to the outdoor unit installation manual. (For PUY application only)

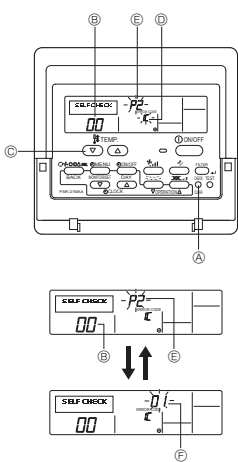


Fig. 7-3

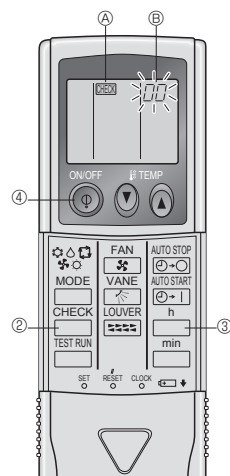


Fig. 7-4

7.3. Self-check

7.3.1. Wired remote controller (Fig. 7-3)

- ① Turn on the power.
- ② Press the [CHECK] button twice.
- ③ Set refrigerant address with [TEMP] button if system control is used.
- ④ Press the [ON/OFF] button to stop the self-check.
A CHECK button
B Refrigerant address
C TEMP. button
D IC: Indoor unit
E OC: Outdoor unit
F Check code

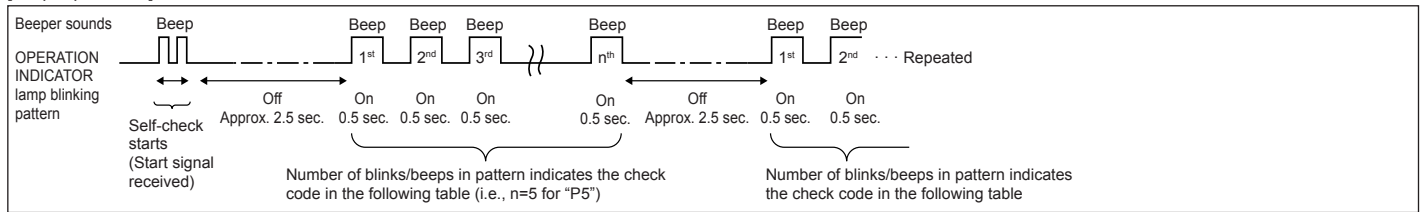
7.3.2. Wireless remote controller (Fig. 7-4)

- ① Turn on the power.
- ② Press the button twice.
(Start this operation from the status of remote controller display turned off.)
A begins to light.
B "00" begins to blink.
- ③ While pointing the remote controller toward the unit's receiver, press the button. The check code will be indicated by the number of times that the buzzer sounds from the receiver section and the number of blinks of the operation lamp.
- ④ Press the ON/OFF button to stop the self-check.

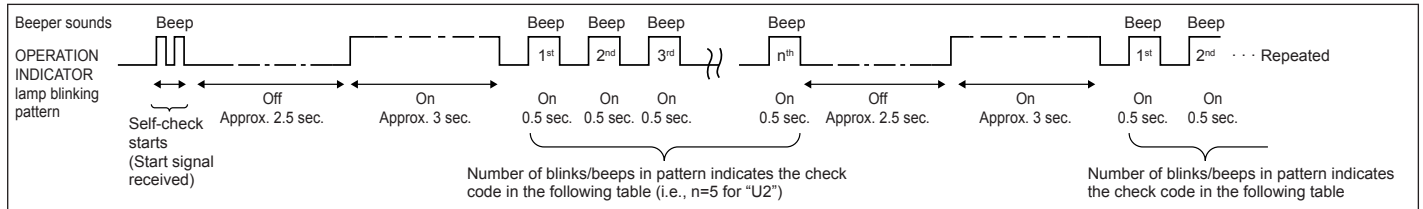
7. Test run

- Refer to the following tables for details on the check codes. (Wireless remote controller)

[Output pattern A]



[Output pattern B]



[Output pattern A] Errors detected by indoor unit

Wireless remote controller	Wired remote controller	Symptom	Remark
Beeper sounds/OPERATION INDICATOR lamp blinks (Number of times)	Check code		
1	P1	Intake sensor error	
2	P2	Pipe (TH2) sensor error	
	P9	Pipe (TH5) sensor error	
3	E6, E7	Indoor/outdoor unit communication error	
4	P4	Float switch connector open	
5	P5	Drain pump error	
	PA	Forced compressor error	
6	P6	Freezing/Overheating protection operation	
7	EE	Communication error between indoor and outdoor units	
8	P8	Pipe temperature error	
9	E4	Remote controller signal receiving error	
10	—	—	
11	—	—	
12	Fb	Indoor unit control system error (memory error, etc.)	
14	PL	Refrigerant circuit abnormal	
No sound	E0, E3	Remote controller transmission error	
No sound	E1, E2	Remote controller control board error	
No sound	— — — —	No corresponding	

[Output pattern B] Errors detected by unit other than indoor unit (outdoor unit, etc.)

Wireless remote controller	Wired remote controller	Symptom	Remark
Beeper sounds/OPERATION INDICATOR lamp blinks (Number of times)	Check code		
1	E9	Indoor/outdoor unit communication error (Transmitting error) (Outdoor unit)	For details, check the LED display of the outdoor controller board.
2	UP	Compressor overcurrent interruption	
3	U3, U4	Open/short of outdoor unit thermistors	
4	UF	Compressor overcurrent interruption (When compressor locked)	
5	U2	Abnormal high discharging temperature/49C worked/insufficient refrigerant	
6	U1, Ud	Abnormal high pressure (63H worked)/Overheating protection operation	
7	U5	Abnormal temperature of heat sink	
8	U8	Outdoor unit fan protection stop	
9	U6	Compressor overcurrent interruption/Abnormal of power module	
10	U7	Abnormality of super heat due to low discharge temperature	
11	U9, UH	Abnormality such as overvoltage or voltage shortage and abnormal synchronous signal to main circuit/Current sensor error	
12	—	—	
13	—	—	
14	Others	Other errors (Refer to the technical manual for the outdoor unit.)	

*1 If the beeper does not sound again after the initial two beeps to confirm the self-check start signal was received and the OPERATION INDICATOR lamp does not come on, there are no error records.

*2 If the beeper sounds three times continuously "beep, beep, beep (0.4 + 0.4 + 0.4 sec.);" after the initial two beeps to confirm the self-check start signal was received, the specified refrigerant address is incorrect.

- On wireless remote controller
The continuous buzzer sounds from receiving section of indoor unit.
Blink of operation lamp
- On wired remote controller
Check code displayed in the LCD.

7. Test run

- If the unit cannot be operated properly after the test run has been performed, refer to the following table to remove the cause.

Symptom		Cause	
Wired remote controller		LED 1, 2 (PCB in outdoor unit)	
PLEASE WAIT	For about 2 minutes after power-on	After LED 1, 2 are lighted, LED 2 is turned off, then only LED 1 is lighted. (Correct operation)	• For about 2 minutes after power-on, operation of the remote controller is not possible due to system start-up. (Correct operation)
PLEASE WAIT → Error code	Subsequent to about 2 minutes after power-on	Only LED 1 is lighted. → LED 1, 2 blink.	• Connector for the outdoor unit's protection device is not connected. Reverse or open phase wiring for the outdoor unit's power terminal block (L1, L2, L3)
Display messages do not appear even when operation switch is turned ON (operation lamp does not light up).		Only LED 1 is lighted. → LED 1 blinks twice, LED 2 blinks once.	• Incorrect wiring between indoor and outdoor units (incorrect polarity of S1, S2, S3) • Remote controller wire short

On the wireless remote controller with condition above, following phenomena take place.

- No signals from the remote controller are accepted.
- Operation lamp is blinking.
- The buzzer makes a short ping sound.

Note:

Operation is not possible for about 30 seconds after cancellation of function selection. (Correct operation)

For description of each LED (LED1, 2, 3) provided on the indoor controller, refer to the following table.

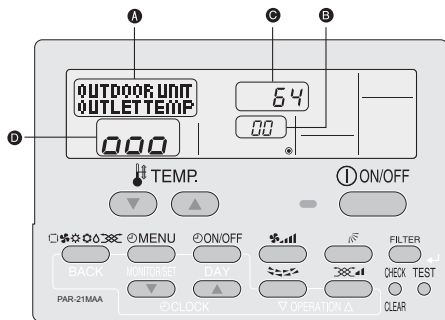
LED 1 (power for microcomputer)	Indicates whether control power is supplied. Make sure that this LED is always lit.
LED 2 (power for remote controller)	Indicates whether power is supplied to the remote controller. This LED lights only in the case of the indoor unit which is connected to the outdoor unit refrigerant address "0".
LED 3 (communication between indoor and outdoor units)	Indicates state of communication between the indoor and outdoor units. Make sure that this LED is always blinking.

8. System control (For PUY application only)

Refer to the outdoor unit installation manual.

9. Easy maintenance function (For PUY application only)

Display example (Comp discharge temperature 64°C)



By using the maintenance mode, you can display many types of maintenance data on the remote controller such as the heat exchanger temperature and compressor current consumption for the indoor and outdoor units.

This function can be used whether the air conditioner is operating or not.

During air conditioner operation, data can be checked during either normal operation or maintenance mode stable operation.

* This function cannot be used during the test run.

* The availability of this function depends on the connecting outdoor unit. Refer to the brochures.

Maintenance mode operation procedures

(1) Press the **TEST** button for three seconds to activate the maintenance mode. Display **A** MAINTENANCE

(2) Press the **TEMP.** **▼** **▲** buttons to set the refrigerant address. Display **B** 00 ↔ 01 15

(3) Select the data you want to display.

Compressor information	Cumulative operation time	ON/OFF number	Operation current
Display A COMP ON x10 HOURS	Display A COMP ON x100 TIMES	Display A COMP ON CURRENT (A)	
Outdoor unit information	Heat exchanger temperature	Comp discharge temperature	Outdoor ambient temperature
Display A OUTDOOR UNIT H-EXC. TEMP	Display A OUTDOOR UNIT OUTLET TEMP	Display A OUTDOOR UNIT OUTDOOR TEMP	
Indoor unit information	Indoor room temperature	Heat exchanger temperature	Filter operation time
Display A INDOOR UNIT INLET TEMP	Display A INDOOR UNIT H-EXC. TEMP	Display A INDOOR UNIT FILTER USE H	

* The filter operation time displayed is the number of hours the filter has been used since the filter reset was performed.

(4) Press the **FILTER** button.

(5) The data is displayed in **C**. (Airflow temperature display example)

Display **C** Blinking Waiting for response → Approx. 10 sec. → 64

* Repeat steps (2) to (5) to check another data.

(6) Press the **TEST** button for three seconds or press the **ON/OFF** button to deactivate the maintenance mode.

Stable operation

Using the maintenance mode, the operation frequency can be fixed and the operation can be stabilized. If the air conditioner is stopped, use the following procedure to start this operation.

Press the **MODE** button to select the operation mode.

Stable cooling operation → Stable heating operation → Stable operation cancellation

Display **A** **COOL STABLE MODE** → **HEAT STABLE MODE** → **STABLE MODE CANCEL**

Press the **FILTER** button.

Waiting for stable operation

Display **C** 0 → 00 → 000 → 10-20 min. → 000

* You can check the data using steps (3) to (5) of the maintenance mode operation procedures while waiting for the stable operation.

สารบัญ

1. คำแนะนำเพื่อความปลอดภัย.....	16	6. งานเดินสายไฟ.....	21
2. ตำแหน่งของการติดตั้ง.....	17	7. ทดลองเดินเครื่อง.....	25
3. การติดตั้งเครื่องภายใน.....	18	8. การควบคุมระบบ (สำหรับการใช้งาน PUY เท่านั้น).....	29
4. การติดตั้งท่อสารทำความเย็น.....	20	9. ฟังก์ชันบำรุงรักษาอย่างง่าย (สำหรับการใช้งาน PUY เท่านั้น).....	29
5. งานเดินท่อระบายน้ำ.....	21		

หมายเหตุ :

ข้อความ “รีโมทคอนโทรลแบบมีสาย” ในคู่มือการติดตั้งฉบับนี้ ใช้อ้างอิงสำหรับรุ่น PAR-21MAA เท่านั้น หากท่านต้องการข้อมูลเพิ่มเติมเกี่ยวกับรีโมทคอนโทรลอื่นๆ โปรดดูจากคู่มือการติดตั้งหรือคู่มือการตั้งค่าเบื้องต้นซึ่งแนบมาในกล่องผลิตภัณฑ์

1. คำแนะนำเพื่อความปลอดภัย

- ▶ ก่อนติดตั้งเครื่อง โปรดอ่าน “คำแนะนำเพื่อความปลอดภัย” ให้ครบถ้วน
- ▶ “คำแนะนำเพื่อความปลอดภัย” ให้ข้อมูลที่สำคัญมากด้านความปลอดภัย โปรดปฏิบัติตาม
- ▶ โปรดแจ้งเจ้าหน้าที่ตัวแทนจำหน่าย หรือต้องได้รับความเห็นชอบจากตัวแทนจำหน่ายก่อนเชื่อมต่อกับระบบจ่ายไฟ

ความหมายของสัญลักษณ์ที่แสดงบนเครื่องปรับอากาศ

	คำเตือน (มีความเสี่ยงต่อการเกิดอัคคีภัย)	เครื่องหมายนี้ใช้กับนํ้ายาทำความเย็น R32 เท่านั้น ชนิดของนํ้ายาทำความเย็นอยู่บนแผ่นแสดงของเครื่องปรับอากาศภายนอก ในกรณีที่ชนิดของนํ้ายาทำความเย็นคือ R32 เครื่องปรับอากาศเครื่องนี้นํ้ายาทำความเย็นที่ติดไฟได้ง่าย หากนํ้ายาทำความเย็นรั่วไหลและสัมผัสกับไฟหรือชิ้นส่วนที่ให้ความร้อน จะเกิดก๊าซที่เป็นอันตรายและมีความเสี่ยงต่อการเกิดอัคคีภัย
	อ่านคู่มือการใช้งานอย่างละเอียดก่อนการใช้งาน	
	เจ้าหน้าที่ซ่อมบำรุงต้องอ่านคู่มือการใช้งานและคู่มือการติดตั้งอย่างละเอียดก่อนการทำงาน	
	ศึกษาข้อมูลเพิ่มเติมได้จากคู่มือการใช้งาน คู่มือการติดตั้ง เป็นต้น	

สัญลักษณ์ที่ใช้ในคู่มือ

- ⚠ คำเตือน:
คำอธิบายถึงข้อควรระวังต่างๆ ที่ต้องสังเกตเพื่อหลีกเลี่ยงอันตรายร้ายแรงต่อผู้ใช้
- ⚠ ข้อควรระวัง:
คำอธิบายถึงข้อควรระวังที่ต้องสังเกตเพื่อหลีกเลี่ยงอันตรายที่จะเกิดขึ้นกับเครื่อง

สัญลักษณ์ภาพที่ใช้ในคู่มือ

- ⊥ หมายถึง ส่วนที่ต้องตอลงดิน
- ⊘ ห้ามปฏิบัติโดยเด็ดขาด

เมื่อทำการติดตั้งเครื่องเรียบร้อยแล้วให้อธิบาย “คำแนะนำเพื่อความปลอดภัย” วิธีใช้ และการดูแลรักษาตัวเครื่องให้แก่ลูกค้าตามข้อมูลที่ระบุไว้ในคู่มือการใช้งาน และให้ทดลองเดินเครื่อง เพื่อตรวจสอบให้แน่ใจว่าเครื่องทำงานเป็นปกติ ต้องมอบคู่มือการติดตั้งและคู่มือการใช้งานให้ผู้ใช้เก็บไว้ ซึ่งคู่มือเหล่านี้ต้องถูกส่งมอบให้ผู้ใช้คนต่อไปด้วย

⚠ คำเตือน:

- ควรให้ตัวแทนจำหน่ายหรือช่างผู้เชี่ยวชาญติดตั้งตัวเครื่องให้
- ผู้ใช้ไม่ควรซ่อมเครื่องหรือเคลื่อนย้ายเครื่องไปยังตำแหน่งอื่น
- ในการติดตั้ง ให้ปฏิบัติตามคำแนะนำในคู่มือการติดตั้ง โดยใช้เครื่องมือและส่วนประกอบของท่อที่ผลิตขึ้นสำหรับใช้กับสารทำความเย็นตามที่ระบุไว้ในคู่มือการติดตั้งเครื่องภายนอกอาคารโดยเฉพาะ
- ห้ามดัดแปลงเครื่องปรับอากาศ อาจก่อให้เกิดไฟไหม้ ไฟดูด เป็นอันตราย หรือนํ้ารั่วซึม ฯลฯ
- ในการติดตั้งและย้ายที่ติดตั้งใหม่ ให้ปฏิบัติตามคำแนะนำในคู่มือการติดตั้ง โดยใช้เครื่องมือและส่วนประกอบของท่อที่ผลิตขึ้นสำหรับใช้กับนํ้ายาทำความเย็นที่ระบุในคู่มือการติดตั้งเครื่องภายนอกอาคารโดยเฉพาะ
- การติดตั้งเครื่องต้องปฏิบัติตามคำแนะนำในคู่มือ เพื่อลดความเสี่ยงจากความเสียหายอันเนื่องมาจากแผ่นดินไหว ได้ฝุ่น หรือลมแรง การติดตั้งตัวเครื่องผิดวิธีอาจทำให้เครื่องตกหนัก และเป็นสาเหตุให้เกิดความเสียหายหรือเกิดการบาดเจ็บได้
- ควรยึดตัวเครื่องให้แน่นหนากับโครงสร้างที่สามารถรับน้ำหนักตัวเครื่องได้
- เครื่องใช้ต้องจัดเก็บไว้ในพื้นที่ที่มีการระบายอากาศที่ดีซึ่งขนาดห้องตรงกับพื้นที่ห้องตามที่ระบุไว้สำหรับการใช้งาน
- หากติดตั้งเครื่องปรับอากาศในห้องขนาดเล็ก ต้องทำการวัดสารทำความเย็น เพื่อป้องกันไม่ให้อากาศทำความเย็นภายในห้องเข้มข้นจนเกินขีดความปลอดภัยในกรณีที่เกิดการรั่วไหลของสารทำความเย็น เพราะหากสารทำความเย็นรั่วไหล อาจทำให้ความเข้มข้นมากเกินไป และเป็นอันตรายเนื่องจากทำให้ภายในห้องขาดออกซิเจน
- เก็บเครื่องใช้ที่มีการเผาไหม้ ก๊าซ เครื่องทำความร้อนและแหล่งไฟอื่น ๆ (แหล่งจุดติดไฟ) ให้ห่างจากสถานที่ที่จะทำการติดตั้งซ่อมแซมเครื่องปรับอากาศ หากสารทำความเย็นสัมผัสกับเปลวไฟ ก๊าซพิษจะถูกปล่อยออกมา
- ระบายอากาศภายในห้อง หากเกิดการรั่วไหลของสารทำความเย็นในขณะที่เครื่องทำงาน หากสารทำความเย็นสัมผัสกับเปลวไฟ ก๊าซพิษจะถูกปล่อยออกมา
- ต้องให้ช่างผู้เชี่ยวชาญเป็นผู้ดำเนินการเดินสายไฟตามกฎข้อบังคับของท้องถิ่น และตามคำแนะนำในคู่มือ
- ให้ใช้เฉพาะสายไฟตามที่กำหนดเท่านั้นในการเดินสายไฟ การเดินสายต้องทำด้วยความระมัดระวังเพื่อความปลอดภัย อย่าวางสายที่ต่อเข้ากับเครื่องดึงเกินไป และอย่าต่อสายไฟเพื่อเดินสายไฟ (ยกเว้นแต่จะระบุไว้ในคู่มือ)
- การไม่ปฏิบัติตามคำแนะนำเหล่านี้อาจทำให้เกิดความสูงเกินหรือไฟไหม้ได้
- ห้ามตัดต่อสายไฟ
- เครื่องใช้ไฟฟ้าควรติดตั้งให้สอดคล้องกับกฎข้อบังคับการเดินสายไฟภายในประเทศ
- อุปกรณ์ที่ไม่ได้ออกแบบขึ้นเพื่อใหบุคคล (รวมทั้งเด็ก) ที่ทุพพลภาพ ผู้พิการทางสายตา หรือบกพร่องทางจิต หรือผู้ที่ขาดประสบการณ์และความรู้ใช้ตามลำพัง นอกจากจะมีผู้ดูแลคอยควบคุมหรืออธิบายการใช้งานอุปกรณ์และรับผิดชอบความปลอดภัยของพวกเขา
- ควรกำชับเด็กว่าห้ามเล่นเครื่องใช้ไฟฟ้า

- ผาครอบตู้สายไฟของตัวเครื่องต้องยึดติดอย่างแน่นหนา
- หากสายไฟชำรุดเสียหาย ต้องเปลี่ยนโดยผู้ผลิต ตัวแทนบริการ หรือบุคคลที่มีคุณสมบัติเหมาะสมทำการเปลี่ยนสายไฟเพื่อหลีกเลี่ยงอันตรายที่อาจเกิดขึ้น
- ใช้อุปกรณ์เสริมที่ได้รับการรับรองจาก Mitsubishi Electric และควรให้ช่างผู้เชี่ยวชาญเป็นผู้ติดตั้งให้
- เมื่อติดตั้งเสร็จสมบูรณ์แล้ว ให้ตรวจดูการรั่วไหลของสารทำความเย็น หากมีสารทำความเย็นรั่วไหลภายในห้อง และสัมผัสกับเปลวไฟจากเครื่องทำความร้อน หรือหม้อหุงข้าวไฟฟ้า ก๊าซพิษจะถูกปล่อยออกมา
- เมื่อติดตั้งหรือเปลี่ยนตำแหน่ง หรือทำการบำรุงรักษาเครื่องปรับอากาศ ให้ใช้สารทำความเย็นเฉพาะชนิดที่กำหนด ที่ระบุไว้ที่เครื่องภายนอกอาคาร เพื่อเติมในท่อสารทำความเย็นอย่างเหมาะสมทำความเย็นนี้เข้ากับสารทำความเย็นประเภทอื่น และอย่าให้มีอากาศเหลืออยู่ในท่อหากมีอากาศปนเข้ามาในสารทำความเย็น อาจเป็นสาเหตุให้เกิดความดันสูงผิดปกติในท่อสารทำความเย็น และอาจส่งผลให้เกิดการระเบิดและเกิดอันตรายอื่นๆ ขึ้นได้ การใช้สารทำความเย็นอื่นนอกเหนือจากที่กำหนดให้ใช้กับระบบจะส่งผลให้เครื่องมีปัญหาหรือระบบทำงานผิดปกติ หรือเครื่องชำรุด ในกรณีที่ร้ายแรงที่สุดอาจทำให้เกิดความไม่ปลอดภัยขั้นร้ายแรงต่อผลิตภัณฑ์
- ห้ามใช้วิธีการในการเร่งความเร็วกระบวนการละลายน้ำแข็งหรือการทำความสะอาดอุปกรณ์นอกเหนือไปจากวิธีการที่แนะนำโดยผู้ผลิต
- เครื่องใช้ต้องจัดเก็บภายในห้องโดยไม่ใช้งานแหล่งจุดติดไฟอย่างต่อเนื่อง (เช่น เปลวไฟ เครื่องใช้ที่กําลังทำงาน หรือเครื่องทำความร้อนไฟฟ้าที่กําลังทำงาน)
- ห้ามเจาะหรือเผาไหม้
- โปรดทราบว่านํ้ายาทำความเย็นอาจไม่มีกลิ่น
- ควรป้องกันงานเดินท่อจากความเสียหายทางกายภาพ
- การติดตั้งเดินท่อควรอยู่ให้ต่ำที่สุด
- ควรปฏิบัติตามข้อบังคับของก๊าซในประเทศ
- ควบคุมดูแลส่วนที่เปราะบางของอากาศไม่ให้มีสิ่งกีดขวาง
- ห้ามใช้ solder alloy อลูมิเนียมต่ำในกรณี brazing ท่อนํ้ายาทำความเย็น
- ในขณะที่กำลังทำการ brazing ตรวจสอบให้แน่ใจว่าได้มีการระบายอากาศภายในห้องอย่างเพียงพอและไม่มีวัตถุที่เป็นอันตรายหรือติดไฟได้ง่ายอยู่ใกล้เคียง
- เมื่อกำลังทำงานอยู่ในห้องที่ปิด ห้องแคบ หรือสถานที่คล้ายๆกัน ตรวจสอบให้แน่ใจว่าไม่มีนํ้ายาทำความเย็นรั่วไหลออกมาก่อนเริ่มการทำงาน หากสารทำความเย็นรั่วไหลและรวมตัวกัน อาจทำให้เกิดการระเบิดหรือก๊าซพิษได้

1. คำแนะนำเพื่อความปลอดภัย

1.1. ก่อนทำการติดตั้ง (สภาวะแวดล้อม)

⚠ ข้อควรระวัง:

- อย่าใช้เครื่องในสภาวะแวดล้อมที่ผิดปกติ หากติดตั้งเครื่องปรับอากาศไว้ในพื้นที่ที่มีไอน้ำ น้ำมันระเหย (รวมถึงน้ำมันเครื่อง) หรือก๊าซซัลฟูริก พื้นที่ที่มีปริมาณเกลืออยู่ในอากาศสูง เช่น ริมทะเล เนื่องจากประสิทธิภาพในการทำงานของเครื่องจะลดลงอย่างมาก และอาจเกิดความเสียหายกับชิ้นส่วนภายในด้วย
- อย่าติดตั้งเครื่องในสถานที่ซึ่งก๊าซที่ติดไฟง่ายอาจรั่วไหล หรือเกิดชั้น ไทลเวียน หรือสะสม หากเกิดการสะสมของก๊าซที่ติดไฟง่ายรอบๆ ตัวเครื่อง อาจทำให้เกิดเพลิงไหม้ หรือเกิดการระเบิดได้
- อย่าเก็บอาหาร ต้นไม้ กระจกสัตว์ งานศิลปะ หรือเครื่องมือที่ต้องการความแม่นยำไว้ในทิศทางที่ลมแอร์ออกมาจากตัวเครื่องภายในอาคาร หรือตั้งไว้ใกล้ตัวเครื่องมากเกินไป เพราะวัตถุดังกล่าวอาจเสียหายจากการเปลี่ยนแปลงอุณหภูมิ หรือจากหยดน้ำได้

- หากความชื้นในห้องสูงเกิน 80% หรือท่อระบายน้ำทั้งอุดตัน น้ำอาจหยดลงมาจากตัวเครื่องภายในอาคาร อย่าติดตั้งตัวเครื่องภายในอาคารในที่ตั้งซึ่งอาจเกิดความเสียหายจากหยดน้ำได้
- หากติดตั้งตัวเครื่องภายในโรงพยาบาลหรือสำนักงาน ควรเตรียมการเกี่ยวกับปัญหาเสียงรบกวน และสัญญาณรบกวนอิเล็กทรอนิกส์ ตัวแปลงสัญญาณ เครื่องใช้ภายในบ้าน อุปกรณ์ทางการแพทย์ที่มีความถี่สูง และอุปกรณ์ที่ใช้สัญญาณวิทยุ อาจเป็นสาเหตุให้เครื่องปรับอากาศทำงานผิดปกติ หรือชำรุดได้ และเครื่องปรับอากาศอาจส่งผลกระทบต่ออุปกรณ์ทางการแพทย์ รบกวนการรักษาทางการแพทย์ และอุปกรณ์สื่อสาร ทำให้คุณภาพการแสดงผลของหน้าจอลดลง

1.2. ก่อนทำการติดตั้งหรือเปลี่ยนตำแหน่ง

⚠ ข้อควรระวัง:

- เคลื่อนย้ายเครื่องปรับอากาศด้วยความระมัดระวังที่สุด ในการยกเครื่องควรใช้อย่างน้อยสองคน เนื่องจากเครื่องมีน้ำหนักตั้งแต่ 20 กก. ขึ้นไป อย่าจับที่สายเคเบิล ควรสวมถุงมือป้องกัน
- ให้แน่ใจว่าทั้งวิศวกรหรือช่างให้ลูกค้า วิศวกรประจำภาคและโลหะอื่นๆ หรือเศษไม้ อาจทำให้บาดเจ็บได้
- ฉนวนกันความร้อนของท่อสารทำความเย็นสำคัญอย่างยิ่งในการป้องกันการเกิดหยดน้ำ หากหุ้มฉนวนกันความร้อนที่ท่อสารทำความเย็นไม่ถูกต้อง จะทำให้เกิดหยดน้ำขึ้น

- หุ้มฉนวนกันความร้อนรอบท่อ เพื่อป้องกันการเกิดหยดน้ำ หากติดตั้งท่อระบายน้ำทิ้งไม่ถูกต้อง จะทำให้รั่ว และอาจเกิดความเสียหายแก่เพดาน พื้น เฟอร์นิเจอร์ หรือทรัพย์สินอื่นๆ ได้
- ห้ามล้างเครื่องปรับอากาศด้วยน้ำ เพราะอาจเกิดไฟดูดได้
- ชั้นแพลร์ที่ทุกจุดตามที่ระบุให้แน่นด้วยประแจ หากชั้นแน่นจนเกินไป แพลร์ที่อาจแตกก่อนเวลาอันควร
- หากเครื่องทำงานเป็นเวลาหลายชั่วโมง เมื่ออากาศเหนือเพดานมีอุณหภูมิสูง/ความชื้นสูง (จุดน้ำค้างสูงกว่า 26 °C) อาจเกิดการควบแน่นของน้ำค้างขึ้นในเครื่องภายในอาคารหรือวัสดุฝ้าเพดานได้ เมื่อใช้งานเครื่องในสภาวะนี้ ให้ใส่วัสดุฉนวน (10-20 มม.) ที่พื้นผิวทั้งหมดของเครื่องและวัสดุฝ้าเพดานเพื่อหลีกเลี่ยงการควบแน่นของน้ำค้าง

1.3. ก่อนเดินสายไฟ

⚠ ข้อควรระวัง:

- ให้แน่ใจว่าติดตั้งเบรกเกอร์ตัดไฟ มิฉะนั้น อาจเกิดไฟดูดได้
- ให้ใช้สายไฟมาตรฐานที่มีกำลังไฟเพียงพอสำหรับตัวเครื่องได้ มิฉะนั้น อาจเกิดไฟฟ้าลัดวงจร ความร้อนสูงเกิน หรือเพลิงไหม้ได้
- เมื่อเดินสายไฟ อย่าให้สายไฟตึงหรือรับน้ำหนักเกินไป

- ควรต่อสายดินเข้าเครื่องด้วย หากต่อสายดินไม่ถูกต้อง อาจทำให้เกิดไฟดูดได้
- ใช้เบรกเกอร์ตัดไฟ (ตัวตัดไฟเข้าสายดินเมื่อไฟช็อต แยกสวิตช์ (ฟิวส์ B+) และเบรกเกอร์ตัดไฟแบบโมลด์) ตามกำลังไฟที่ระบุไว้ หากใช้เบรกเกอร์ตัดไฟที่มีกำลังไฟมากเกินไปที่กำหนด อาจทำให้เครื่องชำรุดหรือเกิดเพลิงไหม้ได้

1.4. ก่อนเดินเครื่องทดสอบ

⚠ ข้อควรระวัง:

- เปิดสวิตช์หลักทิ้งไว้อย่างน้อย 12 ชั่วโมงก่อนเดินเครื่อง การเดินเครื่องทันทีหลังจากเปิดสวิตช์หลัก อาจทำให้ชิ้นส่วนภายในได้รับความเสียหายอย่างรุนแรง
- ก่อนเริ่มเดินเครื่อง ตรวจสอบฝาครอบ จุดปิดและจุดป้องกันชิ้นส่วนต่างๆ ว่าติดตั้งถูกต้องแล้วหรือไม่ ส่วนที่หมุน ร้อน หรือมีกำลังไฟสูงอาจทำให้เกิดการบาดเจ็บได้
- อย่าเดินเครื่องหากยังไม่ได้ติดตั้งแผ่นกรองอากาศ หากไม่ได้ติดตั้งแผ่นกรองอากาศ ฝุ่นอาจสะสมจนเป็นสาเหตุให้เครื่องชำรุดได้

- อย่าสัมผัสสวิตช์ใดๆ ในขณะที่มือเปียก เพราะอาจทำให้ไฟดูดได้
- อย่าสัมผัสท่อสารทำความเย็นด้วยมือเปล่าในขณะที่เครื่องทำงาน
- เมื่อปิดเครื่อง รออย่างน้อย 5 นาที ก่อนที่จะเปิดสวิตช์หลัก มิฉะนั้น อาจทำให้รั่ว หรือเครื่องชำรุดได้

2. ตำแหน่งของการติดตั้ง

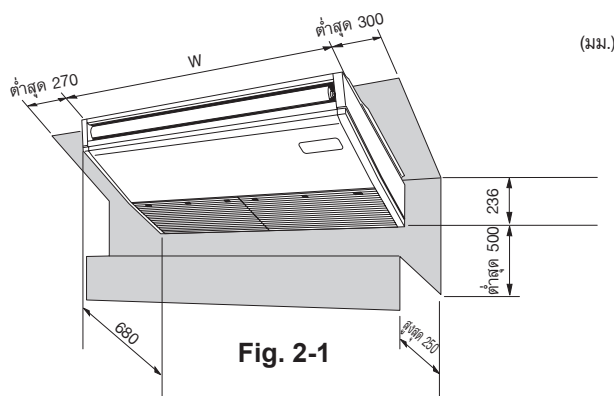


Fig. 2-1

2.1. โครงสร้างและขนาด (เครื่องติดตั้งภายในอาคาร) (Fig. 2-1)

เลือกตำแหน่งที่เหมาะสมโดยให้มีพื้นที่ว่างสำหรับการติดตั้งและดูแลรักษาดังต่อไปนี้

รุ่น	W (มม.)
PCY-SM13, 18KAL	1280
PCY-SM24, 30, 36, 42, 48KAL	1600

⚠ คำเตือน:

ติดตั้งเครื่องภายในอาคารไว้บนเพดานที่แข็งแรงพอที่จะรับน้ำหนักของเครื่องได้

2.2. โครงสร้างและขนาด (เครื่องติดตั้งภายนอกอาคาร)

อ่านรายละเอียดได้ในคู่มือการติดตั้งเครื่องปรับอากาศภายนอกอาคาร

3. การติดตั้งเครื่องภายใน

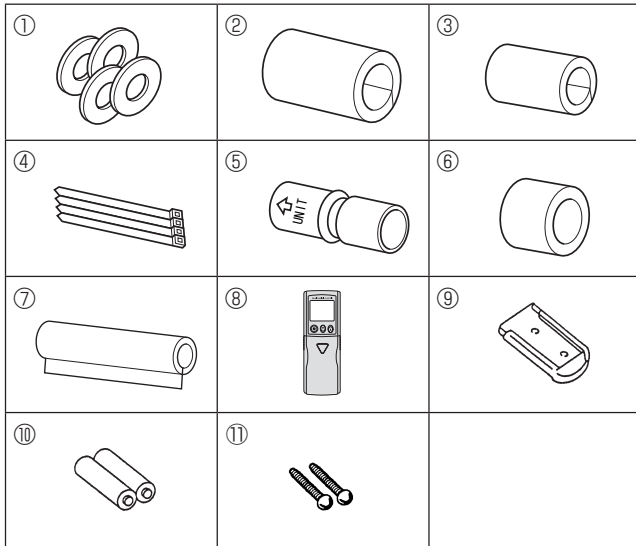


Fig. 3-1

3.1. ตรวจสอบอุปกรณ์เสริมของเครื่องภายใน (Fig. 3-1)

เครื่องภายในจะต้องมาพร้อมกับอุปกรณ์เสริมดังต่อไปนี้
(บรรจุอยู่ที่ด้านในของตะแกรงดูดลมเข้า)

	ชื่ออุปกรณ์	จำนวน
①	วงแหวน	4 อัน
②	ฝาครอบท่อ	1 อัน ขนาดใหญ่ (ใช้สำหรับท่อก๊าซ)
③	ฝาครอบท่อ	1 อัน ขนาดเล็ก (ใช้สำหรับท่อของเหลว)
④	ยางรัด	4 อัน
⑤	ตัวเชื่อมข้อต่อ	1 อัน โดยมีคำว่า "UNIT" ติดอยู่
⑥	ฝาครอบข้อต่อ	1 อัน
⑦	ปลอกหุ้มท่อน้ำทิ้ง	1 อัน
⑧	รีโมทคอนโทรลแบบไร้สาย	1 อัน
⑨	ที่วางรีโมทคอนโทรล	1 อัน
⑩	ถ่านแบตเตอรี่อัลคาไลน์ (ขนาด AAA)	2 อัน
⑪	สกรู 3.5 x 16	2 อัน

3.2. การเตรียมการติดตั้ง (Fig. 3-2)

3.2.1. ระยะห่างเพื่อใช้ติดตั้งสลักเกลียวสำหรับแขวน

(มม.)

รุ่น	A	B
PCY-SM13, 18KAL	1237	1280
PCY-SM24, 30, 36, 42, 48KAL	1557	1600

3.2.2. ตำแหน่งของท่อสารทำความเย็นและท่อระบายน้ำ

(มม.)

รุ่น	C	D
PCY-SM13, 18KAL	184	203
PCY-SM24, 30, 36, 42, 48KAL	180	200

- Ⓐ ช่องปล่อยอากาศออกทางด้านหน้า
- Ⓑ ช่องปล่อยอากาศออกทางด้านซ้าย
- Ⓒ ช่องปล่อยอากาศออกทางด้านขวา
- Ⓓ ชั้นส่วนอิสระ (ถอดออกได้)
- Ⓔ ท่อระบายน้ำด้านขวา
- Ⓕ ท่อระบายน้ำด้านซ้าย
- Ⓖ ท่อก๊าซ
- Ⓗ ท่อของเหลว
- Ⓘ จุกยาง
- Ⓝ มีตัวเชื่อมข้อต่อ ⑤

ในกรณีที่ต้องจัดเรียงท่อด้านหลัง ตรวจสอบให้แน่ใจว่าถอดส่วนที่แรงออกจาก ⑩ ชั้นส่วนอิสระ จากนั้นใส่ ⑩ ชั้นส่วนอิสระกลับเข้าตำแหน่งเดิม (ตัวแลกเปลี่ยนความร้อนอาจอุดตันจากฝุ่นได้)

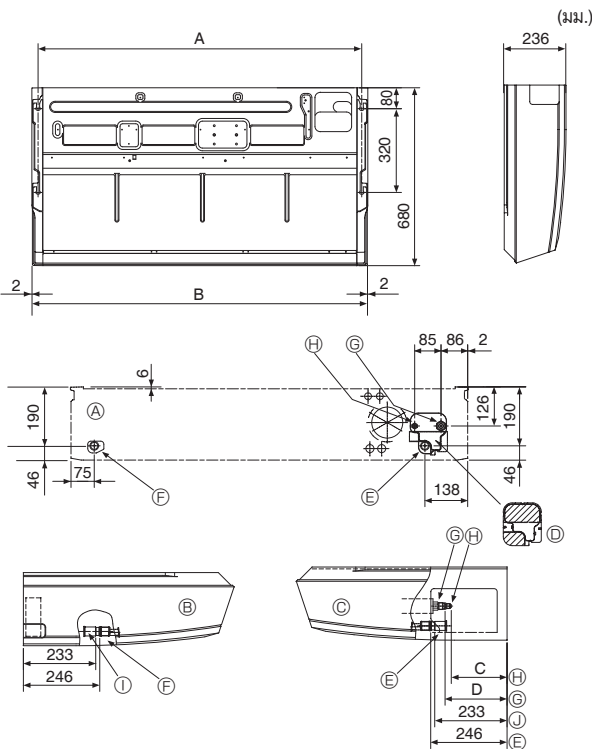


Fig. 3-2

3. การติดตั้งเครื่องภายใน

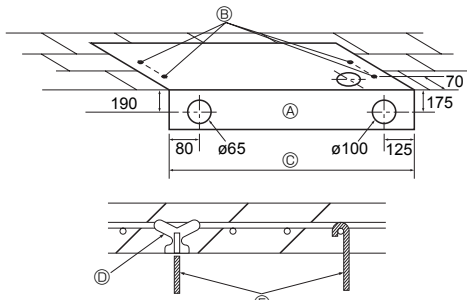


Fig. 3-3

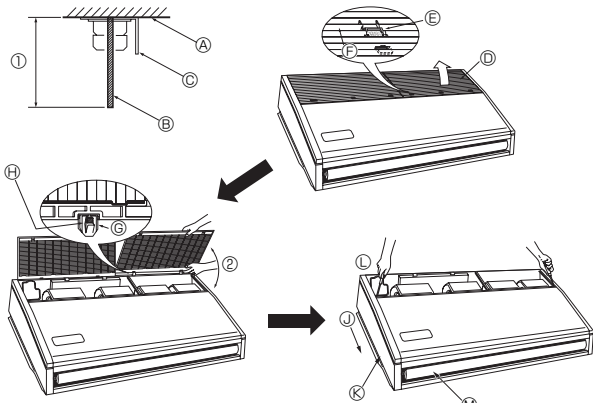


Fig. 3-4

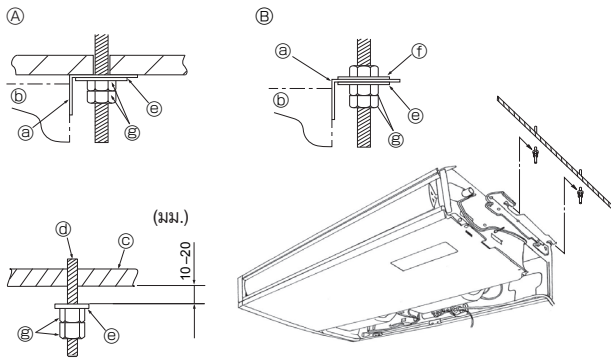


Fig. 3-5

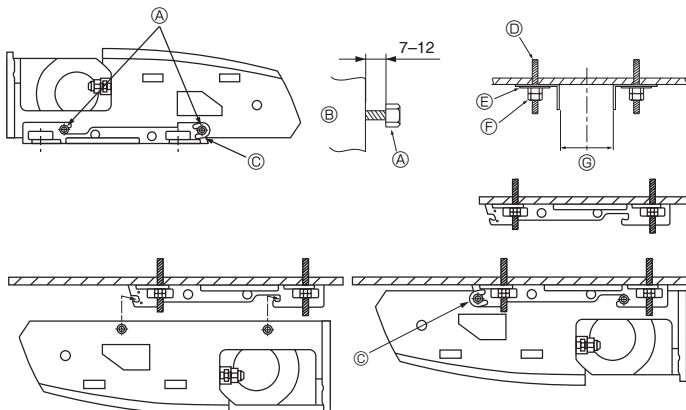


Fig. 3-6

3.2.2. กำหนดตำแหน่งที่จะติดตั้งสลักเกลียวสำหรับแขวนและท่อระบายน้ำ (Fig. 3-3)

ใช้แบบแปลนกระดาษที่จัดมาให้ เลือกตำแหน่งที่เหมาะสมสำหรับสลักเกลียวสำหรับแขวนและท่อระบายน้ำ จากนั้น จึงเจาะรูที่ต้องใช้ตามแบบ

- Ⓐ แบบแปลนกระดาษ
- Ⓑ รูสำหรับใส่สลักเกลียวสำหรับแขวน
- Ⓒ ความกว้างของเครื่องภายใน

ขันสลักเกลียวสำหรับแขวนให้แน่นพอ หรือใช้ขอสำหรับเกี่ยว หรือไม้ค้ำสี่เหลี่ยมสำหรับขันสลักเกลียว

- Ⓓ ทาน้ำหนักได้ 100 กก. ถึง 150 กก. แต่ละตัว
- Ⓔ ใช้สลักเกลียวสำหรับแขวนขนาด W3/8 หรือ M10

3.2.3. การเตรียมการติดตั้งเครื่องภายใน (Fig. 3-4)

1. การขันสลักเกลียวสำหรับแขวน (หาซื้อสลักเกลียวขนาด W3/8 หรือ M10 เอง) ประมาณระยะความยาวจากเพดาน (Ⓐ) ภายใน 100 มม.)

- Ⓐ พื้นผิวเพดาน
- Ⓑ สลักเกลียวสำหรับแขวน
- Ⓒ ขอเกี่ยวสำหรับแขวน

2. ถอดตะแกรงช่องดูดลมเข้า

เลื่อนปุ่มยึดตะแกรงช่องดูดลมเข้า (3 ตำแหน่ง) ไปทางด้านหลังเพื่อเปิดตะแกรงช่องดูดลมเข้า

3. ถอดฝาครอบด้านข้าง

คลายสกรูยึดฝาครอบด้านข้าง (ด้านละตัว ขวาและซ้าย) แล้วจึงเลื่อนฝาครอบไปข้างหน้าเพื่อถอดออก

- Ⓓ ตะแกรงช่องดูดลมเข้า
- Ⓔ เลื่อนฝาครอบด้านข้างมาข้างหน้า
- Ⓔ ปุ่มยึดตะแกรงช่องดูดลมเข้า
- Ⓕ ฝาครอบด้านข้าง
- Ⓕ บานเลื่อน
- Ⓖ ฝาครอบด้านข้าง
- Ⓖ บานพับ
- Ⓖ ถอดโวลต์ป้องกันไฟฟัด

Ⓕ ดันบานพับ แล้วดึงตะแกรงช่องลมดูดเข้าออกมา

Ⓖ การฝืนออกแรงเพื่อเปิดตะแกรงช่องลมดูดเข้าหรือเปิดโดยทำมุมเกินกว่า 120° อาจทำให้บานพับเสียหายได้

3.3. การติดตั้งเครื่องภายใน (Fig. 3-5)

ใช้วิธีที่เหมาะสมโดยขึ้นอยู่กับวัสดุในการแขวนดังต่อไปนี้

- Ⓐ มีวัสดุในการแขวน
- Ⓒ เพดาน
- Ⓑ ไม่มีวัสดุในการแขวน
- Ⓓ สลักเกลียวสำหรับแขวน
- Ⓓ ขอเกี่ยวสำหรับแขวน
- Ⓔ วงแขวน ①
- Ⓓ ตัวเครื่อง
- Ⓔ วงแขวน (หาซื้อได้ทั่วไป)
- Ⓔ น็อตคู่

1) การแขวนเครื่องโดยตรง

วิธีการติดตั้ง

1. ใส่วงแขวน ① (มาพร้อมกับเครื่อง) และน็อต (หาซื้อได้ทั่วไป)
2. แขวนตัวเครื่องกับสลักเกลียวสำหรับแขวน
3. ชันน็อตให้แน่น

ตรวจสอบสภาพความเรียบร้อยของการติดตั้ง

- ตรวจสอบว่าเครื่องถูกติดตั้งอยู่ในแนวราบตรง ไม่เอียงไปซ้ายหรือขวา
- ตรวจสอบว่าด้านหน้าและด้านหลังของขอเกี่ยวสำหรับแขวนอยู่ในแนวราบตรง (เพื่อให้ระบายน้ำได้ดี ตัวเครื่องควรเอียงทำมุมกับขอเกี่ยวสำหรับแขวน ตำแหน่งการติดตั้งที่ถูกต้องคือ ตัวเครื่องเอียงลงทำมุมสมมาตรจากด้านหน้าไปยังด้านหลัง)

2) ก่อนอื่นติดตั้งขอเกี่ยวสำหรับแขวนที่เพดาน (Fig. 3-6)

วิธีการติดตั้ง

1. ถอดขอเกี่ยวสำหรับแขวนและวงแขวนรูปตัว U ออกจากเครื่อง
2. ปรับสลักเกลียวยึดขอเกี่ยวสำหรับแขวนออกจากเครื่อง
3. ติดขอเกี่ยวสำหรับแขวนเข้ากับสลักเกลียวสำหรับแขวน
4. ตรวจสอบว่าขอเกี่ยวสำหรับแขวนอยู่ในแนวราบตรง (ด้านหน้าและด้านหลัง/ด้านซ้ายและด้านขวา)
5. แขวนตัวเครื่องเข้ากับขอเกี่ยวสำหรับแขวน
6. ชันสลักเกลียวสำหรับยึดขอเกี่ยวสำหรับแขวนให้แน่น

* อย่าลืมใส่วงแขวนรูปตัว U ด้วย

- Ⓐ สลักเกลียวยึดขอเกี่ยวสำหรับแขวน
- Ⓑ ตัวเครื่อง
- Ⓒ วงแขวนรูปตัว U
- Ⓓ สลักเกลียวสำหรับแขวน
- Ⓔ วงแขวน ①
- Ⓔ น็อตคู่

(มม.)

PCY-SM13, 18KAL	1202-1207
PCY-SM24, 30, 36, 42, 48KAL	1522-1527

4. การติดตั้งท่อสารทำความเย็น

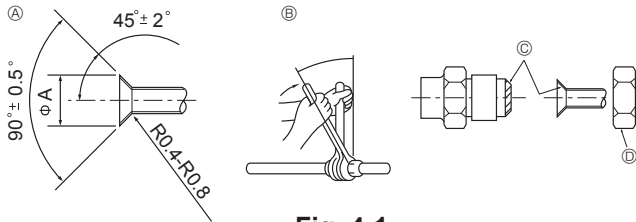


Fig. 4-1

A เส้นผ่าศูนย์กลางของหน้าตัดหัวบาน

เส้นผ่าศูนย์กลางด้านนอกของท่อทองแดง (มม.)	ขนาดของส่วนหัวบาน (มม.)
Ø6.35	8.7 - 9.1
Ø9.52	12.8 - 13.2
Ø12.7	16.2 - 16.6
Ø15.88	19.3 - 19.7
Ø19.05	23.6 - 24.0

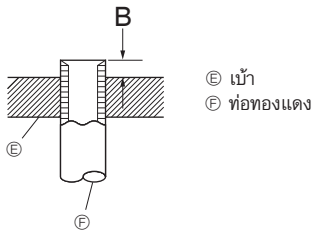


Fig. 4-2

เส้นผ่าศูนย์กลางด้านนอกของท่อทองแดง (มม.)	B (มม.)	
	อุปกรณ์หัวบานสำหรับ R32 ชนิดคลัทช์	
Ø6.35 (1/4")	0 - 0.5	
Ø9.52 (3/8")	0 - 0.5	
Ø12.7 (1/2")	0 - 0.5	
Ø15.88 (5/8")	0 - 0.5	
Ø19.05 (3/4")	0 - 0.5	

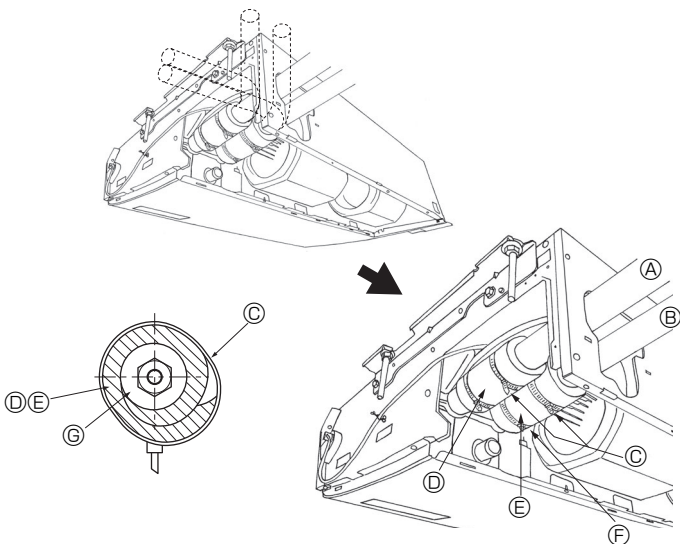


Fig. 4-3

4.1. ข้อควรระวัง

สำหรับอุปกรณ์ที่ใช้สารทำความเย็น R32

- ใช้น้ำมันเอสเทอร์, น้ำมันอีเทอร์ หรือน้ำมัน alkylbenzene (จำนวนเล็กน้อย) ที่เป็นน้ำมันหล่อลื่นในระบบทำความเย็นดาบบริเวณส่วนหัวบาน
- ใช้คอปเปอร์ฟอสฟอรัส C1220 สำหรับท่อทองแดงและท่อทองแดงผสมอลลอยแบบไร้รอยต่อ เพื่อเชื่อมต่อท่อสารทำความเย็น ใช้ท่อสารทำความเย็นที่มีความหนาตามที่ระบุไว้ในตารางข้างล่าง ตรวจสอบให้แน่ใจว่าด้านในของท่อสะอาด ปราศจากสิ่งปนเปื้อนใดๆ อย่างเช่น สารประกอบซัลฟูริก, สนิม, เศษขยะ หรือฝุ่น

⚠ คำเตือน:

เมื่อทำการติดตั้งหรือเปลี่ยนที่ตั้งหรือบริการเครื่องปรับอากาศ ให้ใช้สารทำความเย็นที่กำหนด (R32) เพื่อเติมในท่อสารทำความเย็น อย่าผสมสารอื่นใดกับสารทำความเย็น และอย่าให้มีอากาศเหลืออยู่ในท่อ หากมีอากาศผสมกับสารทำความเย็น อาจเป็นสาเหตุให้เกิดแรงดันสูงผิดปกติในท่อสารทำความเย็น และอาจทำให้เกิดการระเบิดและอันตรายอื่นๆ ได้ การใช้สารทำความเย็นนอกเหนือจากที่กำหนดไว้ อาจทำให้ระบบกลไกทำงานผิดปกติหรือระบบผิดปกติหรือตัวเครื่องเสียหายได้ ในกรณีร้ายแรง อาจทำให้เกิดการเหนียวที่ร้ายแรงต่อระบบป้องกันเพื่อความปลอดภัยของผลิตภัณฑ์

	PCY-SM13, 18KAL	PCY-SM24, 30, 36, 42, 48KAL
ท่อของเหลว	Ø6.35 ความหนา 0.8 มม.	Ø9.52 ความหนา 0.8 มม.
ท่อก๊าซ	Ø12.7 ความหนา 0.8 มม.	Ø15.88 ความหนา 1.0 มม.

- อย่าใช้ท่อที่มีขนาดเล็กกว่าที่กำหนดไว้ข้างต้น

4.2. การต่อท่อ (Fig. 4-1)

- ถ้าใช้ท่อทองแดงซึ่งหาซื้อได้ทั่วไป พันด้วยวัสดุที่เป็นฉนวนกันความร้อนที่หาซื้อได้ทั่วไป (ทนความร้อนได้ 100°C ขึ้นไป หนาอย่างน้อย 15 มม.)
- ท่อระบายน้ำของเครื่องติดตั้งภายในอาคารควรพันด้วยฉนวนกันความร้อนที่เป็นโฟมโพลีเอธิลีน (มีความท่งจำเพาะ 0.03 หนาอย่างน้อย 9 มม.)
- ฉนวนน้ำมันสารทำความเย็นบางๆ ที่ท่อ และพื้นผิวฐานตัวเชื่อมก่อนที่จะขันแฟลร์นัท
- ใช้ประแจสองตัวขันบริเวณเชื่อมต่อท่อให้แน่น
- ใช้ฉนวนหุ้มท่อสารทำความเย็นที่มีมาให้ พันจุดต่อกับตัวเครื่องด้านในอาคารอย่างระมัดระวังตามคำแนะนำที่แนบมาให้

ⓑ แรงบิดแฟลร์นัท

เส้นผ่าศูนย์กลางด้านนอกของท่อทองแดง (มม.)	เส้นผ่าศูนย์กลางด้านนอกของแฟลร์นัท (มม.)	แรงบิด (N-m)
Ø6.35	17	14 - 18
Ø6.35	22	34 - 42
Ø9.52	22	34 - 42
Ø12.7	26	49 - 61
Ø12.7	29	68 - 82
Ø15.88	29	68 - 82
Ø15.88	36	100 - 120
Ø19.05	36	100 - 120

ⓒ ฉนวนน้ำมันสารทำความเย็นบนพื้นผิวฐานทั้งหมด

ⓓ ใช้แฟลร์นัทที่ตรงกับขนาดของเครื่องติดตั้งภายนอกอาคาร

ขนาดท่อที่ใช้ได้

	PCY-SM13, 18KAL	PCY-SM24, 30, 36, 42, 48KAL
ท่อของเหลว	Ø6.35 O	-
ท่อก๊าซ	-	Ø9.52 O

O: แฟลร์นัทจากโรงงานติดตั้งอยู่กับตัวแลกเปลี่ยนความร้อน

⚠ คำเตือน:

ในการติดตั้งตัวเครื่อง ให้ต่อท่อสารทำความเย็นให้เรียบร้อยก่อนเดินเครื่องคอมเพรสเซอร์

4.3. เครื่องภายในอาคาร (Fig. 4-3)

วิธีการติดตั้ง

- เลือกฝาครอบท่อที่จัดมาให้ ② ที่ท่อก๊าซจะกระแทกกับแผ่นเหล็กที่อยู่ภายในตัวเครื่อง
- เลือกฝาครอบท่อที่จัดมาให้ ③ ที่ท่อของเหลวจะกระแทกกับแผ่นเหล็กที่อยู่ภายในตัวเครื่อง
- รัดฝาครอบท่อ ② และ ③ ที่ปลายสองด้านให้แน่น (20 มม.) ด้วยยางรัดที่จัดมาให้ ④

- Ⓐ ท่อก๊าซ
- Ⓑ ท่อของเหลว
- Ⓒ สายรัด ④
- Ⓓ ฝาครอบท่อ ②
- Ⓔ ฝาครอบท่อ ③
- Ⓕ ดินฝาครอบท่อจะกระแทกกับแผ่นเหล็ก
- Ⓖ วัสดุที่เป็นฉนวนกันความร้อนพันท่อสารทำความเย็น

5. งานเดินท่อระบายน้ำ

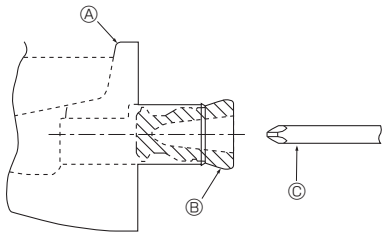


Fig. 5-1

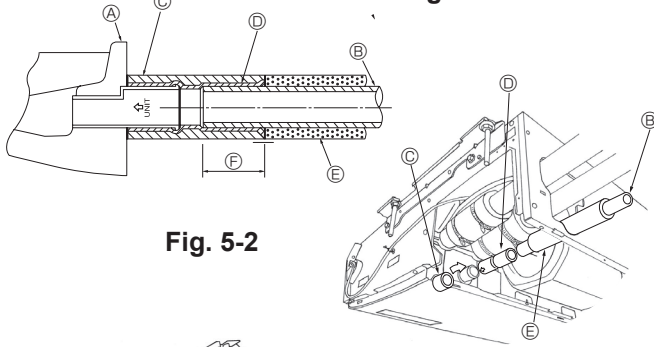


Fig. 5-2

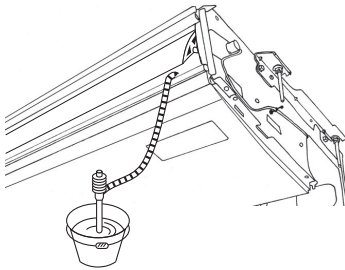


Fig. 5-3

5.1. งานเดินท่อระบายน้ำ (Fig. 5-1)

- สำหรับท่อตันซ้าย ตรวจสอบว่าเสียบจุกยางเข้าทางด้านขวาของช่องท่อระบายน้ำแล้ว (Fig. 5-1)
- ใช้ VP-20 (ท่อ PVC เส้นผ่าศูนย์กลางภายนอก 26 (1)) สำหรับท่อระบายน้ำ โดยให้ท่อเอียง 1/100 หรือมากกว่า
- หลังจากเสร็จสิ้นการต่อท่อ ตรวจสอบดูความคล่องตัวในการระบายน้ำออกของท่อระบายน้ำ
 - Ⓐ งานระบายน้ำ
 - Ⓑ จุก
 - Ⓒ สอดไขควง ฯลฯ เข้าไปในจุกให้ลึก

วิธีการติดตั้ง (Fig. 5-2)

1. ติดตัวเชื่อมข้อต่อ ⑤ ที่จัดมาให้เข้ากับช่องระบายน้ำของตัวเครื่องให้แน่นโดยใช้กาวไวเนล
2. ยึดฝาครอบข้อต่อ ⑥ ที่จัดมาให้เข้ากับตัวเชื่อมข้อต่อ ⑤
3. ติดท่อระบายน้ำ (VP-20) เข้ากับตัวเชื่อมข้อต่อ ⑤ ด้วยกาวไวเนล
4. พันฝาครอบท่อระบายน้ำ ⑦ ที่จัดมาให้ (พันตามรอยต่อ)
 - Ⓐ งานระบายน้ำ
 - Ⓑ ท่อระบายน้ำ
 - Ⓒ ฝาครอบข้อต่อ ⑥
 - Ⓓ ตัวเชื่อมข้อต่อ ⑤
 - Ⓔ ฝาครอบท่อระบายน้ำ ⑦
 - Ⓕ ความยาวที่ต้องสอด 37 มม.

5. ตรวจสอบการระบายน้ำให้ถูกต้อง (Fig. 5-3)

- * เติมน้ำประมาณ 1 ลิตร ลงในจานระบายน้ำจากช่องปล่อยอากาศออก

6. งานเดินสายไฟ

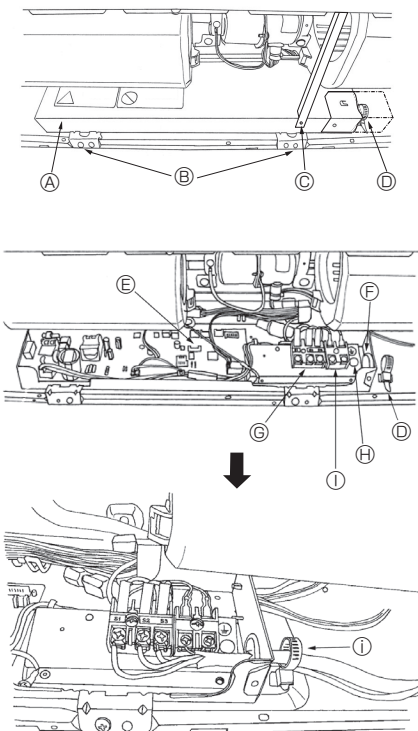


Fig. 6-1

6.1. งานเดินสายไฟ (Fig. 6-1)

การต่อสายไฟ

1. ถอดสกรู ③ ออก แล้วดึงแกนออก
2. ถอดสกรู ② (2) ตัวออก แล้วถอดฝาครอบกล่องวงจรไฟฟ้า ④ ออก
3. ต่อสายไฟเข้าขั้วสายไฟให้แน่น
4. ใส่ส่วนที่ถอดออกมาเข้าที่เดิม
5. มัดสายไฟไว้กับตัวยึดสายที่อยู่ด้านขวาของกล่องวงจรไฟฟ้า
 - Ⓐ ฝาครอบกล่องวงจรไฟฟ้า
 - Ⓒ สกรูตัวหนอน (2 ชั้น)
 - Ⓓ สกรูตัวหนอน (แกน)
 - Ⓔ ตัวหนีบสายไฟ
 - Ⓕ บอร์ดควบคุม
 - Ⓖ จุดต่อสายไฟ
 - Ⓗ ขั้วสายดิน
 - Ⓘ ขั้วต่อรีโมทคอนโทรล
 - Ⓛ ริดด้วยตัวหนีบสายไฟ

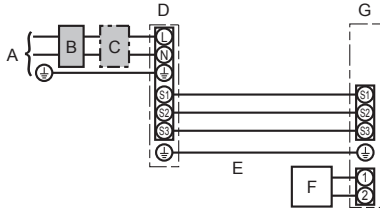
6. งานเดินสายไฟ

6.1.1. แหล่งจ่ายไฟเครื่องภายในอาคารมาจากเครื่องติดตั้งภายนอกอาคาร

รูปแบบการต่อวงจรไฟฟ้าที่สามารถต่อได้มีดังนี้

ในแต่ละรุ่น รูปแบบการต่อแหล่งจ่ายไฟเข้ากับตัวเครื่องภายนอกอาคารจะแตกต่างกันไป

ระบบ 1:1



- A แหล่งจ่ายไฟเข้าตัวเครื่องปรับอากาศภายนอกอาคาร
- B เบรกเกอร์ตัดไฟลงดิน
- C เบรกเกอร์ตัดวงจรไฟฟ้าหรือสวิตช์ไดคด
- D ตัวเครื่องปรับอากาศภายนอกอาคาร
- E สายต่อเครื่องปรับอากาศภายใน/ภายนอกอาคาร
- F รีโมทคอนโทรล
- G เครื่องภายในอาคาร

* ติดฉลาก A ที่ให้มาพร้อมกับคู่มือใกล้กับแผนผังการเดินสายไฟแต่ละชุดสำหรับเครื่องภายในอาคารและเครื่องติดตั้งภายนอกอาคาร

รุ่นเครื่องปรับอากาศภายใน			PCY
การต่อสาย หมายเลขสาย x ขนาด (มม. ²)	เครื่องปรับอากาศภายใน-เครื่องปรับอากาศภายนอก	*1	3 x 1.5 (มีขั้ว)
	เครื่องปรับอากาศภายใน-เครื่องปรับอากาศภายนอกสายดิน	*1	1 x ชั้นต่ำ 1.5
	สายดินเครื่องภายในอาคาร		1 x ชั้นต่ำ 1.5
	รีโมทคอนโทรล-เครื่องติดตั้งภายในอาคาร	*2	2 x 0.3 (ไม่มีขั้ว)
กำหนด ขนาดวงจร	เครื่องปรับอากาศภายใน (เครื่องทำความร้อน) L-N	*3	-
	เครื่องปรับอากาศภายใน-เครื่องปรับอากาศภายนอก S1-S2	*3	220 VAC
	เครื่องปรับอากาศภายใน-เครื่องปรับอากาศภายนอก S2-S3	*3	24 VDC
	รีโมทคอนโทรล-เครื่องปรับอากาศภายใน	*3	12 VDC

*1. สูงสุด 45 ม.

หากใช้ 2.5 มม.² สูงสุด 50 ม.

หากใช้ 2.5 มม.² และ S3 แยก สูงสุด 80 ม.

*2. สายไฟความยาว 10 เมตรเป็นอุปกรณ์เสริมที่ติดมาพร้อมกับรีโมทคอนโทรล ยาวสุด 500 ม.

*3. ไม่ได้ต่อสายลงดินทุกเครื่อง

ขั้ว S3 มีไฟฟ้าต่างจากขั้ว S2 24 VDC แต่ระหว่างขั้ว S3 กับ S1 ไม่มีฉนวนไฟฟ้าผ่านตัวแปลงไฟหรืออุปกรณ์อื่นๆ

หมายเหตุ:

1. ขนาดของสายไฟต้องถูกต้องตามกฎเกณฑ์ของท้องถิ่น
2. สายพาวเวอร์ชีฟฟลายและสายของเครื่องภายใน/ภายนอกอาคารต้องไม่บางกว่าสายเคลือบโพลีคลอโรเพรน (รุ่น 60245 IEC 57)
3. ใช้สายดินที่ยาวกว่าสายอื่นๆ
4. สายเชื่อมต่อภายในอาคารและภายนอกอาคารมีขั้วอยู่ ตรวจสอบให้แน่ใจว่าจับหมายเลขขั้วตรงกัน (S1, S2, S3) เพื่อการเชื่อมต่อที่ถูกต้อง
5. การเดินสายไฟสำหรับสายรีโมทคอนโทรลจะต้องอยู่ห่างจากสายไฟแหล่งจ่ายไฟ (5 ซม. หรือมากกว่า) เพื่อไม่ให้ถูกสัญญาณรบกวนจากสายไฟแหล่งจ่ายไฟ
6. ต้องติดตั้งเครื่องใช้ตามกฎการเดินสายของการไฟฟ้า

6. งานเดินสายไฟ

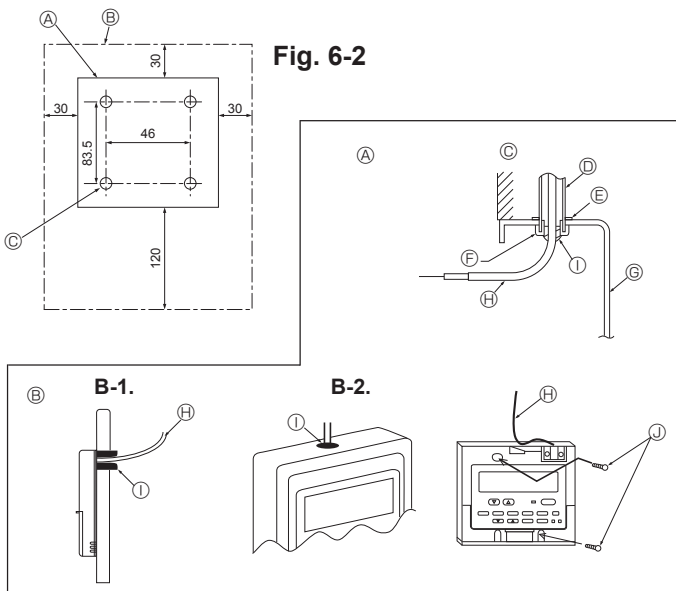


Fig. 6-2

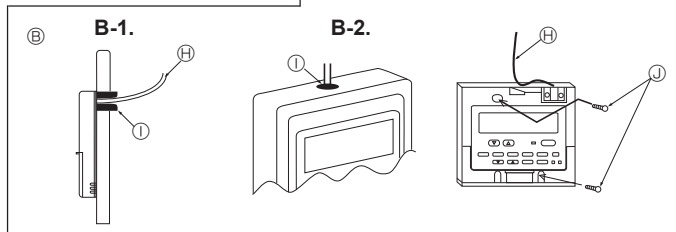


Fig. 6-3

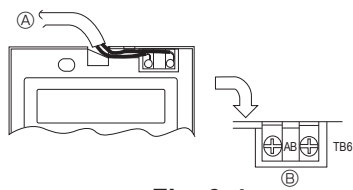


Fig. 6-4

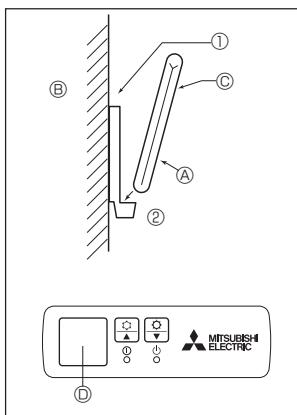


Fig. 6-5

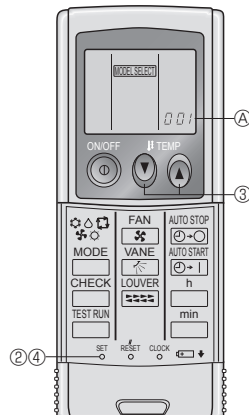


Fig. 6-6

6.2. รีโมทคอนโทรล

6.2.1. รีโมทคอนโทรลแบบมีสาย (ชิ้นส่วนอุปกรณ์เสริม)

1) ขั้นตอนการติดตั้ง

(1) เลือกตำแหน่งที่จะติดตั้งรีโมทคอนโทรล (Fig. 6-2) เช่น เซอร์คูล์หรือตู้ติดตั้งทั้งที่รีโมทคอนโทรลและเครื่องภายใน

▶ จัดหาชิ้นส่วนต่อไปนี้ด้วยตัวท่านเอง:

- กล่องสวิตช์ไฟ 2 ชั้น
- ท่อสายไฟทองแดงชนิดบาง
- นี้อสำหรับล็อกและเป็นรอง

[Fig.6-2]

- A รูปด้านข้างของรีโมทคอนโทรล
 - B พื้นที่วางรอบรีโมทคอนโทรลที่ต้องการ
 - C ช่องห่างในการติดตั้ง
- (2) ปิดช่องสอดสายรีโมทคอนโทรลด้วยปูนฉาบ เพื่อป้องกันหยดน้ำค้าง น้ำ แผลงสาบหรือหนอน (Fig. 6-3)

● สำหรับการติดตั้งในกล่องสวิตช์

● สำหรับการติดตั้งเข้ากับผนังโดยตรง เลือกอย่างใดอย่างหนึ่งจากด้านล่างนี้:

- เจาะรูที่ผนังเพื่อผ่านสายรีโมทคอนโทรล (เพื่อสอดสายรีโมทคอนโทรลมาจากด้านหลัง) แล้วปิดรูด้วยปูนฉาบ
- สอดสายรีโมทคอนโทรลผ่านกล่องด้านบนที่ตัดออกเป็นช่อง แล้วปิดตรงรอยด้วยปูนฉาบ

B-1. การนำสายรีโมทคอนโทรลมาจากด้านหลังของคอนโทรลเลอร์

B-2. การสอดสายรีโมทคอนโทรลผ่านส่วนบน

[Fig.6-3]

- C ผนัง
- E นี้อสำหรับล็อก
- G กล่องสวิตช์
- I ปิดด้วยปูนฉาบ
- D ท่อสายไฟ
- F เป็นรอง
- H สายรีโมทคอนโทรล
- J สกรูไม้

2) ขั้นตอนการต่อ (Fig. 6-4)

● 1) ต่อสายรีโมทคอนโทรลเข้ากับเทอร์มินัลบล็อก

- A ที่ TB5 บนเครื่องภายใน
- B TB6 (ไว้ชั่วคราว)

3) การตั้งค่ารีโมทคอนโทรลสองตัว

หากมีการต่อรีโมทคอนโทรลสองตัว ให้ตั้งตัวหนึ่งเป็น "ตัวหลัก" และอีกตัวหนึ่งเป็น "ตัวรอง" สำหรับขั้นตอนการตั้งค่า โปรดอ่านจาก "การเลือกฟังก์ชันของรีโมทคอนโทรล" ในคู่มือการทำงานของตัวเครื่องภายในอาคาร

หมายเหตุ:

หากเชื่อมต่อรีโมทคอนโทรลสองตัว ต้องแน่ใจว่าใช้รีโมทคอนโทรลรุ่นเดียวกัน รุ่น PAR-21MAA และรุ่น PAR-40MAA ไม่สามารถใช้ร่วมกันได้

6.2.2. สำหรับรีโมทคอนโทรลแบบไร้สาย

1) บริเวณที่ติดตั้ง

- ในที่ที่ไม่โดนแสงแดดโดยตรง
- ไม่อยู่ใกล้เครื่องกำเนิดความร้อนใดๆ
- ในที่ที่รีโมทคอนโทรลจะไม่โดนลมเย็น (หรือลมร้อน)
- ในที่ที่สามารถหยิบใช้ได้ง่าย
- เก็บให้พ้นมือเด็ก

2) วิธีติดตั้ง (Fig. 6-5)

● 1) ติดที่วางรีโมทคอนโทรลในตำแหน่งที่ต้องการโดยใช้สกรูสองตัว

● 2) วางปลายด้านล่างของรีโมทคอนโทรลลง

● A รีโมทคอนโทรล B ผนัง C หน้าจอใช้งาน D ตัวรับสัญญาณ

- สัญญาณจะวิ่งไปได้ในระยะประมาณ 7 เมตร (ระยะทางตรง) และในระยะ 45 องศาจากทั้งด้านซ้ายและด้านขวาของเส้นศูนย์กลางสู่ตัวรับสัญญาณ

3) การเซ็ต (Fig. 6-6)

● 1) ใส่ถ่านแบตเตอรี่

● 2) กดปุ่ม SET ด้วยวัสดุที่มีปลายแหลม

MODEL SELECT จะกะพริบและจะมีหมายเลขรุ่นขึ้นมาจอแสดงผล

● 3) กดปุ่ม Temp (C) (D) เพื่อเซ็ตหมายเลขรุ่น

หากทำผิดพลาด ให้กดปุ่ม ON/OFF (E) แล้วทำใหม่อีกครั้งตั้งแต่ขั้นตอนที่ 3

● 4) กดปุ่ม SET ด้วยวัสดุที่มีปลายแหลม

MODEL SELECT และหลายเลขรุ่นจะขึ้นมาจอประมาณสามวินาทีและดับไปเอง

รุ่นของตัวเครื่องภายใน	A หมายเลขรุ่น
PCY	033

6. งานเดินสายไฟ

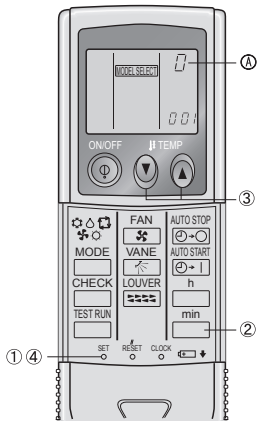


Fig. 6-7

5) กำหนดรีโมทคอนโทรลให้ใช้ได้เฉพาะแต่ละเครื่อง

แต่ละเครื่องจะใช้ได้กับรีโมทคอนโทรลที่ถูกกำหนดไว้เท่านั้น โปรดตรวจสอบแต่ละคู่มือที่แนบมาของ PC ของเครื่องภายในกับรีโมทคอนโทรลที่กำหนดมาเป็นคู่เดียวกัน

6) การเซตหมายเลขสำหรับคู่มือรีโมทคอนโทรลแบบไร้สาย (Fig. 6-7)

- ① กดปุ่ม SET ด้วยวัสดุที่มีปลายแหลม
ตำแหน่งตอนนั้นจะแสดงผลของรีโมทคอนโทรลด้วย
MODEL SELECT จะกะพริบและจะมีหมายเลขรุ่นขึ้นมาจอแสดงผล
- ② กดปุ่ม \square สองครั้งติดต่อกัน หมายเลขคู่ "0" จะกะพริบ
- ③ กดปุ่ม temp \odot เพื่อเซตหมายเลขที่ต้องการ
หากทำผิดพลาด ให้กดปุ่ม ON/OFF \odot แล้วทำใหม่อีกครั้งตั้งแต่นตอนที่ ②
- ④ กดปุ่ม SET ด้วยวัสดุที่มีปลายแหลม
หมายเลขคู่ที่เซตไว้จะขึ้นมาจอประมาณสามวินาทีและดับไปเอง

① หมายเลขสัญญาณของรีโมทคอนโทรล	แผง PC ของเครื่องภายใน
0	ค่าตั้งต้น
1	ตัด J41
2	ตัด J42
3-9	ตัด J41, J42

6.3. การตั้งค่าฟังก์ชัน

6.3.1. การตั้งค่าฟังก์ชันที่เครื่อง (การเลือกฟังก์ชันเครื่อง)

1) สำหรับรีโมทคอนโทรลมีสาย (Fig. 6-8)

- การเปลี่ยนค่าแรงดันไฟฟ้า
- อย่าลืมเปลี่ยนค่าแรงดันไฟฟ้าตามแรงดันไฟฟ้าที่ใช้
 - ① ไปที่โหมดตั้งค่าฟังก์ชัน
กดปุ่มรีโมทคอนโทรล
กดปุ่ม \odot และ \odot ค้างไว้พร้อมกันอย่างน้อย 2 วินาที สัญญาณ FUNCTION จะเริ่มกะพริบ
 - ② กดปุ่ม \odot เพื่อตั้งค่าสารทำความเย็น (III) ไปที่ 00
 - ③ กดปุ่ม \odot แล้วในตำแหน่งแสดงตัวเลข (IV) เครื่องหมาย [-] จะกะพริบ
 - ④ กดปุ่ม \odot เพื่อตั้งค่าตัวเลข (IV) ไปที่ 00
 - ⑤ กดปุ่ม MODE \odot เพื่อตั้งค่าสารทำความเย็น / หมายเลขเครื่อง สัญญาณ [-] จะกะพริบที่ส่วนแสดงหมายเลขโหมด (I) ครู่หนึ่ง
 - ⑥ กดปุ่ม \odot เพื่อตั้งค่าเลขโหมด (I) ไปที่ 04
 - ⑦ กดปุ่ม \odot แล้วตัวเลข (II) ที่ตั้งค่าไว้จะกะพริบ
กดปุ่ม \odot เพื่อเปลี่ยนตัวเลขที่ตั้งค่าให้ตรงตามแรงดันของแหล่งจ่ายไฟที่ใช้
แรงดันของแหล่งจ่ายไฟ
240 โวลต์ : ตั้งไปที่หมายเลข = 1
220 โวลต์, 230 โวลต์ : ตั้งไปที่หมายเลข = 2
 - ⑧ กดปุ่ม MODE \odot แล้วโหมดและหมายเลขที่ตั้งค่า (I) และ (II) จะเปลี่ยนไปเพื่อให้ตั้งค่าและยืนยันการตั้งค่า
 - ⑨ กดปุ่ม FILTER \odot และปุ่ม \odot ค้างไว้พร้อมกันอย่างน้อย 2 วินาที หน้าจอเลือกฟังก์ชันจะหายไปครู่หนึ่ง สัญญาณเปิดเครื่องปรับอากาศ OFF จะแสดงขึ้นมาบนหน้าจอ

2) สำหรับรีโมทคอนโทรลไร้สาย (Fig. 6-9)

- การเปลี่ยนค่าแรงดันไฟฟ้า
- อย่าลืมเปลี่ยนค่าแรงดันไฟฟ้าตามแรงดันไฟฟ้าที่ใช้
 - ① ไปที่โหมดเลือกฟังก์ชัน
กดปุ่ม CHECK \odot ติดกันสองครั้ง
(เริ่มการทำงานนี้ในขณะที่หน้าจอบนรีโมทคอนโทรลยังปิดอยู่)
สัญญาณ CHECK สว่างขึ้น และเลข "00" จะกะพริบขึ้นมา
กดปุ่ม temp \odot หนึ่งครั้ง เพื่อตั้งค่า "50"
รีโมทคอนโทรลไร้สายไปที่ตัวรับสัญญาณของเครื่องปรับอากาศภายในอาคาร แล้วกดปุ่ม \square \odot
 - ② ตั้งค่าตัวเลข
กดปุ่ม temp \odot \odot และ \odot เพื่อตั้งค่าตัวเลขไปที่ "00" รีโมทคอนโทรลไร้สายไปยังตัวรับสัญญาณของเครื่องปรับอากาศภายในอาคารแล้วกดปุ่ม \square \odot
 - ③ เลือกโหมด
ใส่ค่า 04 เพื่อเปลี่ยนการตั้งค่าแรงดันไฟฟ้าโดยใช้ปุ่ม \odot และปุ่ม \odot รีโมทคอนโทรลไร้สายไปยังตัวรับสัญญาณของเครื่องปรับอากาศภายในอาคารแล้วกดปุ่ม \square \odot
หมายเลขการตั้งค่าที่ปรากฏ :
1 = เลี้ยงปีบ 1 ครั้ง (1 วินาที)
2 = เลี้ยงปีบ 2 ครั้ง (ครึ่งละ 1 วินาที)
3 = เลี้ยงปีบ 3 ครั้ง (ครึ่งละ 1 วินาที)
 - ④ เลือกหมายเลขที่จะตั้งค่า
กดปุ่ม \odot และปุ่ม \odot เพื่อเปลี่ยนการตั้งค่าแรงดันไฟฟ้าเป็น 01 (240 โวลต์)
รีโมทคอนโทรลไร้สายไปยังเซ็นเซอร์ของตัวเครื่องภายในแล้วกดปุ่ม \square \odot

⑤ วิธีเลือกหลายฟังก์ชันแบบต่อเนื่อง
ทำตามขั้นตอนที่ ③ และ ④ เพื่อเปลี่ยนการตั้งค่าหลายฟังก์ชันแบบต่อเนื่อง

⑥ เสริมเส้นการเลือกฟังก์ชัน

รีโมทคอนโทรลไปยังเซ็นเซอร์ของตัวเครื่องปรับอากาศภายใน แล้วกดปุ่ม \odot \odot

หมายเหตุ:

เมื่อทำการเปลี่ยนค่าการตั้งค่าฟังก์ชันหลังการติดตั้ง หรือการซ่อมบำรุง อย่าลืมบันทึกการเปลี่ยนค่าด้วยเครื่องหมายในช่อง "การตั้งค่า" ในตารางฟังก์ชัน

6.3.2. การตั้งค่าฟังก์ชันที่รีโมทคอนโทรล

อ่านรายละเอียดได้ในคู่มือการใช้งานตัวเครื่องปรับอากาศภายในอาคาร

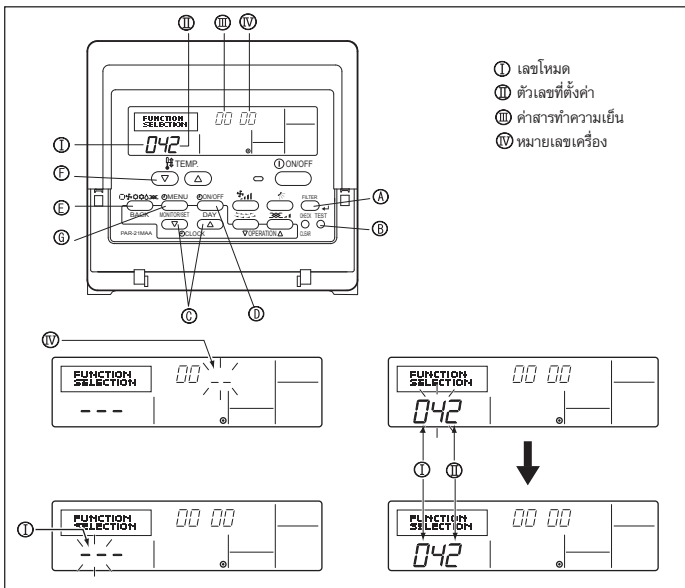


Fig. 6-8

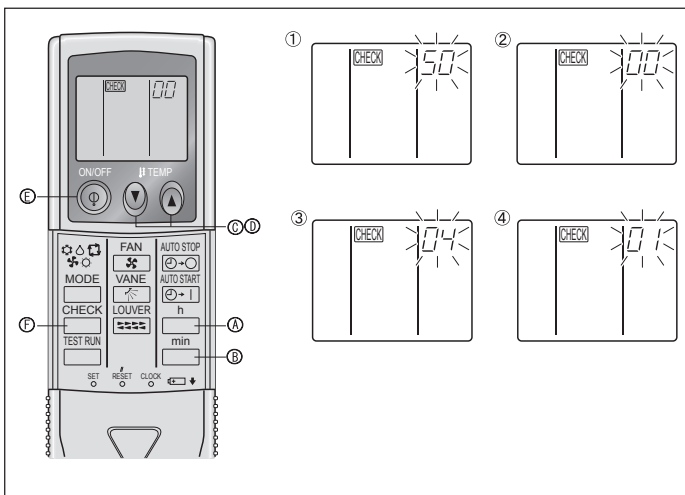


Fig. 6-9

6. งานเดินสายไฟ

ตารางฟังก์ชัน
เลือกหมายเลขเป็น 00

โหมด	การตั้งค่า	หมายเลขโหมด	หมายเลขการตั้งค่า	ค่าตั้งต้น	การตั้งค่า
กู้การไฟคัทอัตโนมัติ	ไม่มี	01	1		
	มี *1		2	○	
การตรวจสอบอุณหภูมิภายในอาคาร	ค่าเฉลี่ยการทำงานของเครื่องภายในอาคาร	02	1	○	
	ตั้งค่าโดยรีโมทคอนโทรลของเครื่องภายในอาคาร		2		
	เซ็นเซอร์ภายในของรีโมทคอนโทรล		3		
การต่อ LOSSNAY	ไม่รองรับ	03	1	○	
	รองรับ (ตัวเครื่องภายในไม่มีช่องดูดอากาศเข้าจากภายนอก)		2		
	รองรับ (ตัวเครื่องภายในมีช่องดูดอากาศเข้าจากภายนอก)		3		
แรงดันกระแสไฟฟ้า	240 โวลต์	04	1		
	220 โวลต์, 230 โวลต์		2	○	

เลือกหมายเลข 01 ถึง 03 หรือทั้งหมด (AL [รีโมทคอนโทรลแบบมีสาย]/07 [รีโมทคอนโทรลไร้สาย])

โหมด	การตั้งค่า	หมายเลขโหมด	หมายเลขการตั้งค่า	ค่าตั้งต้น	การตั้งค่า
สัญลักษณ์ แผ่นกรอง	100 ชั่วโมง	07	1		
	2500 ชั่วโมง		2	○	
	สัญลักษณ์ไม่มีแผ่นกรอง		3		
ความแรงพัดลม	เสียงเงียบ	08	1		
	มาตรฐาน		2	○	
	เพดานสูง		3		
ปรับใบพัด ขึ้น/ลง	ไม่มีใบพัด	11	1		
	มีใบพัด (ตั้งองศาใบพัด ①)		2	○	
	มีใบพัด (ตั้งองศาใบพัด ②)		3		

*1 เมื่อแหล่งจ่ายไฟทำงานอีกครั้ง เครื่องปรับอากาศจะเริ่มทำงานในอีก 3 นาทีต่อมา

*2 ฟังก์ชันข้างต้นสามารถใช้งานได้เมื่อใช้งานรีโมทคอนโทรลแบบมีสายเท่านั้น

7. ทดลองเดินเครื่อง

7.1. ก่อนทดลองเดินเครื่อง

- ▶ หลังจากติดตั้งเครื่อง การเดินสายไฟ และท่อของเครื่องปรับอากาศภายในอาคารและภายนอกอาคารเรียบร้อยแล้ว ให้ตรวจสอบการรั่วไหลของสารทำความเย็น การสูญเสียของแหล่งจ่ายไฟ หรือการคุมสาย การต่อขั้วผิด และไม่มีมีการต่อเฟสในแหล่งจ่ายผิด
- ▶ ใช้แอมมิเตอร์ 500 โวลต์ ตรวจสอบความต้านทานระหว่างกล่องขั้วแหล่งจ่ายไฟและสายดินให้มีค่าขั้นต่ำ 1.0 MΩ

- ▶ อย่าทำการทดสอบที่บนเทอร์มินัลของตัวควบคุมระบบไฟ (วงจรแรงดันต่ำ)
- ⚠ คำเตือน:
ห้ามใช้เครื่องปรับอากาศหากความต้านทานของฉนวนมีค่าต่ำกว่า 1.0 MΩ

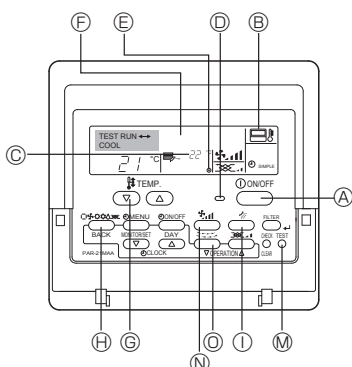


Fig. 7-1

- Ⓐ ปุ่ม ON/OFF
- Ⓑ หน้าจอทดลองเดินเครื่อง
- Ⓒ หน้าจอแสดงอุณหภูมิภายในอาคารแบบแอลซีดี
- Ⓓ ไฟ ON/OFF
- Ⓔ หน้าจอแสดงการเปิดปิดเครื่อง
- Ⓕ แสดงรหัสความผิดปกติ
- Ⓖ แสดงเวลาที่เหลือในการทดสอบการเดินเครื่อง
- Ⓖ ปุ่มตั้งอุณหภูมิ
- Ⓕ ปุ่มเลือกโหมด
- Ⓖ ปุ่มทิศทางลม
- Ⓜ ปุ่ม TEST
- Ⓝ ปุ่มความแรงพัดลม
- Ⓝ ปุ่มบานเกล็ด

7.2. ทดสอบการทำงาน

มี 3 วิธีดังนี้

7.2.1. ใช้รีโมทคอนโทรลแบบมีสาย (Fig. 7-1)

- เปิดปุ่ม Power ที่ไว้อย่างน้อย 12 ชั่วโมง ก่อนทดสอบการทำงาน
- กดปุ่ม [TEST] 2 ครั้ง หน้าจอแอลซีดีจะขึ้นคำว่า "TEST RUN"
- กดปุ่ม [ปุ่มเลือกโหมด] แล้วเลือกโหมดทำความเย็น
⇒ ดูว่ามีลมเย็นเป่าออกมาหรือไม่
- กดปุ่ม [ปุ่มความแรงพัดลม] ⇒ ดูให้แน่ใจว่าความแรงของลมเปลี่ยนไป
- กด [ปุ่มทิศทางลม] หรือ [ปุ่มบานเกล็ด]
⇒ ตรวจสอบการทำงานของใบพัดและบานเกล็ด
- ตรวจสอบการทำงานของพัดลมของตัวเครื่องปรับอากาศภายนอก
- เลิกการทดสอบการทำงานโดยกดปุ่ม [ON/OFF] ⇒ เครื่องหยุดทำงาน
- บันทึกหมายเลขโทรศัพท์

หมายเลขโทรศัพท์ของร้านซ่อม สำนักงานชาย ฯลฯ สำหรับติดต่อในกรณีที่เกิดปัญหาที่เครื่องสามารถบันทึกลงในรีโมทคอนโทรลได้
หมายเลขโทรศัพท์จะแสดงขึ้นมาเมื่อเกิดความผิดปกติ ขั้นตอนในการบันทึกอ่านได้ในคู่มือการใช้งานของตัวเครื่องปรับอากาศภายใน

7. ทดลองเดินเครื่อง

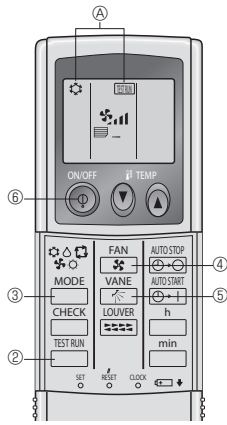


Fig. 7-2

7.2.2. การใช้รีโมทคอนโทรลแบบไร้สาย (Fig. 7-2)

- ① เปิดเครื่องไว้อย่างน้อย 12 ชั่วโมงก่อนทดสอบการทำงาน
- ② กดปุ่ม **TEST RUN** สองครั้งติดต่อกัน
(ดำเนินขั้นตอนนี้ในขณะที่จอแสดงผลของรีโมทคอนโทรลดับอยู่)
④ จอแสดงผลจะแสดง **TEST RUN** และโหมดเดินเครื่องปัจจุบัน
- ③ กดปุ่ม **MODE** () เพื่อเลือกโหมด 000.0 และตรวจสอบดูว่าลมเย็นเป่าออกมาจากเครื่องหรือไม่
- ④ กดปุ่ม **FAN** แล้วตรวจสอบดูว่าความแรงของพัดลมเปลี่ยนแปลงหรือไม่
- ⑤ กดปุ่ม **VANE** และตรวจสอบดูว่าใบพัดทำงานหรือไม่
- ⑥ กดปุ่ม ON/OFF เพื่อหยุดการลองเดินเครื่อง

หมายเหตุ:

- หนีรีโมทคอนโทรลไปยังตัวรับสัญญาณของเครื่องภายในอาคารในขณะที่ทำขั้นตอนที่ ② ถึง ⑥
- ไม่สามารถลดโหมดการทำงานของพัดลมและโหมดลดความเร็วได้

7.2.3. การใช้ SW4 ในเครื่องติดตั้งภายนอกอาคาร

ดูรายละเอียดจากคู่มือการติดตั้งเครื่องติดตั้งภายนอกอาคาร (สำหรับการใช้งาน PUY เท่านั้น)

7.3. การให้เครื่องตรวจสอบตัวเอง

7.3.1. สำหรับรีโมทคอนโทรลแบบมีสาย (Fig. 7-3)

- ① เปิดสวิตช์
- ② กดปุ่ม [CHECK] สองครั้ง
- ③ ใช้ปุ่ม [TEMP] ตั้งค่าสารทำความเย็นหากใช้การควบคุมระบบ
- ④ กดปุ่ม [ON/OFF] เพื่อปิดการตรวจสอบตัวเอง
④ A ปุ่ม CHECK ④ F ตำแหน่งเครื่อง
④ B ค่าสารทำความเย็น
④ C ปุ่ม TEMP
④ D IC: เครื่องปรับอากาศภายใน
④ E OC: เครื่องปรับอากาศภายนอก
④ E รหัสเซ็ค

7.3.2. สำหรับรีโมทคอนโทรลไร้สาย (Fig. 7-4)

- ① เปิดสวิตช์
- ② กดปุ่ม **CHECK** สองครั้ง
(เริ่มการทำงานนี้ในขณะที่หน้าจอรีโมทคอนโทรลยังปิดอยู่)
④ สัญลักษณ์ **CHECK** สว่างขึ้น
④ B "00" เริ่มกะพริบ
- ③ กดปุ่ม **h** พร้อมทั้งชี้รีโมทคอนโทรลไปทางตัวรับสัญญาณของเครื่อง รหัสการตรวจสอบจะดูจากจำนวนครั้งของเสียงสัญญาณจากตัวรับสัญญาณและจำนวนการกะพริบของไฟสัญญาณการทำงาน
- ④ กดปุ่ม ON/OFF เพื่อปิดการตรวจสอบตัวเอง

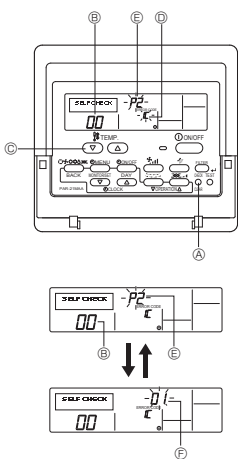


Fig. 7-3

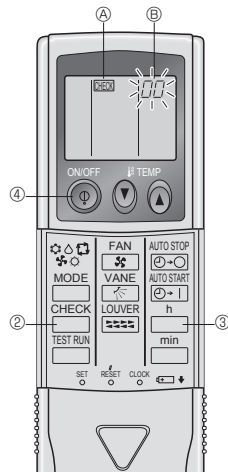
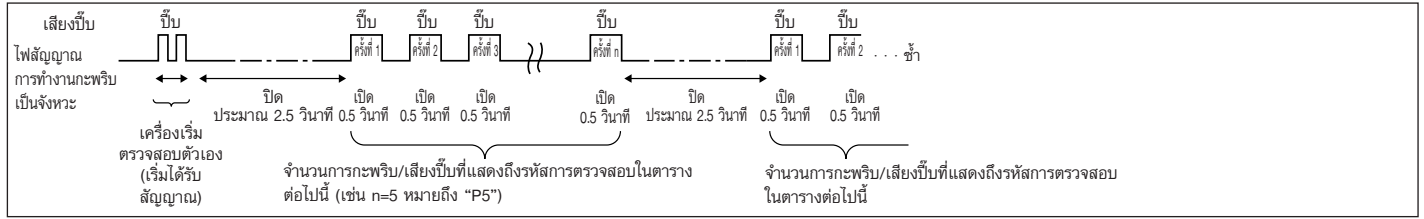


Fig. 7-4

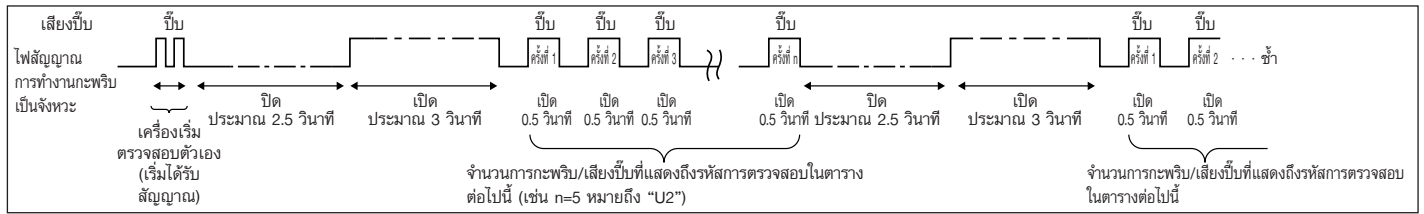
7. ทดลองเดินเครื่อง

- ดูรายละเอียดเกี่ยวกับรหัสการตรวจสอบได้จากตารางข้างล่างนี้ (สำหรับรีโมทคอนโทรลไร้สาย)

[ผลลัพธ์รูปแบบ A]



[ผลลัพธ์รูปแบบ B]



[ผลลัพธ์รูปแบบ A] ความผิดปกติที่ตรวจพบที่เครื่องปรับอากาศภายในอาคาร

รีโมทคอนโทรลไร้สาย	รีโมทคอนโทรลแบบมีสาย	อาการ	หมายเหตุ
เสียงบีบ / ไฟสัญญาณการทำงานกะพริบ (จำนวนครั้ง)	รหัสการตรวจสอบ		
1	P1	ช่องรับเซ็นเซอร์ผิดปกติ	
2	P2	ช่องรับเซ็นเซอร์ท่อ (TH2) ผิดปกติ	
	P9	ช่องรับเซ็นเซอร์ท่อ (TH5) ผิดปกติ	
3	E6, E7	การสื่อสารระหว่างเครื่องภายในอาคาร/เครื่องติดตั้งภายนอกอาคารผิดปกติ	
4	P4	ข้อต่อสวิตช์ล้อยเปิดอยู่	
5	P5	บีมระบายน้ำผิดปกติ	
	PA	คอมเพรสเซอร์จำเป็นต้องหยุดทำงาน	
6	P6	การทำงานตัวป้องกันการเกิดฝ้าแข็ง/ความร้อนเกิน	
7	EE	การสื่อสารผิดปกติระหว่างเครื่องภายในอาคาร/เครื่องติดตั้งภายนอกอาคาร	
8	P8	อุณหภูมิท่อผิดปกติ	
9	E4	การรับสัญญาณรีโมทคอนโทรลผิดปกติ	
10	—	—	
11	—	—	
12	Fb	ระบบควบคุมตัวเครื่องภายในอาคารผิดปกติ (หน่วยความจำผิดปกติ ฯลฯ)	
14	PL	วงจรสารทำความเย็นไม่ปกติ	
ไม่มีเสียง	E0, E3	การส่งสัญญาณรีโมทคอนโทรลผิดปกติ	
ไม่มีเสียง	E1, E2	แผงควบคุมรีโมทคอนโทรลผิดปกติ	
ไม่มีเสียง	---	ไม่มีบันทึกรหัสแสดงความผิดพลาด	

[ผลลัพธ์รูปแบบ B] ความผิดปกติที่ตรวจพบที่ส่วนอื่นนอกเหนือจากเครื่องภายในอาคาร (เครื่องติดตั้งภายนอกอาคาร เป็นต้น)

รีโมทคอนโทรลไร้สาย	รีโมทคอนโทรลแบบมีสาย	อาการ	หมายเหตุ
เสียงบีบ / ไฟสัญญาณการทำงานกะพริบ (จำนวนครั้ง)	รหัสการตรวจสอบ		
1	E9	การสื่อสารระหว่างเครื่องภายในอาคาร/เครื่องติดตั้งภายนอกอาคารผิดปกติ (การส่งสัญญาณผิดปกติ) (เครื่องติดตั้งภายนอกอาคาร)	
2	UP	การขัดจังหวะเนื่องจากคอมเพรสเซอร์มีกระแสเกิน	
3	U3, U4	เปิด/สวิตช์จอร์เจียสเซอร์ของเครื่องติดตั้งภายนอกอาคาร	
4	UF	การขัดจังหวะเนื่องจากคอมเพรสเซอร์มีกระแสเกิน (เมื่อคอมเพรสเซอร์ล๊อค)	
5	U2	อุณหภูมิตัวรับสัญญาณผิดปกติ/เกิน 49C/สารทำความเย็นไม่เพียงพอ	
6	U1, Ud	แรงดันสูงผิดปกติ (เกิน 63H) /การทำงานตัวป้องกันความร้อนเกิน	
7	U5	อุณหภูมิของแผ่นระบายความร้อนผิดปกติ	
8	U8	พัดลมของเครื่องติดตั้งภายนอกอาคารหยุดโดยตัวป้องกัน	
9	U6	การขัดจังหวะเนื่องจากคอมเพรสเซอร์มีกระแสเกิน/ชุดพลังงานผิดปกติ	
10	U7	ความผิดปกติจากความร้อนสูงมากเนื่องจากอุณหภูมิตัวรับต่ำ	
11	U9, UH	ความผิดปกติอย่างเช่น แรงดันไฟฟ้าเกินหรือแรงดันไฟฟ้าไม่พอ และสัญญาณประสานเวลาไปยังวงจรหลักผิดปกติ/เซ็นเซอร์กระแสไฟฟ้าผิดปกติ	
12	—	—	
13	—	—	
14	อื่นๆ	ความผิดปกติอื่น (ดูรายละเอียดจากคู่มือทางเทคนิคของเครื่องติดตั้งภายนอกอาคาร)	ดูรายละเอียดโดยตรวจสอบการแสดงผล LED ของแผงควบคุมภายนอกอาคาร

*1 หากไม่มีเสียงบีบดังขึ้นอีกครั้งหลังจากเสียงบีบสองครั้งแรกเพื่อยืนยันว่าได้รับสัญญาณเริ่ม ตรวจสอบตัวเองแล้วและไฟแสดงการทำงานไม่สว่างขึ้น แสดงว่าไม่มีบันทึกแสดงความผิดพลาด
*2 หากมีเสียงบีบดังขึ้นสามครั้งอย่างต่อเนื่อง “บีบ, บีบ, บีบ (0.4 + 0.4 + 0.4 วินาที)” หลังจากเสียงบีบสองครั้งแรกเพื่อยืนยันว่าได้รับสัญญาณเริ่มตรวจสอบตัวเองแล้ว แสดงว่าค่าสารทำความเย็นที่ระบุไม่ถูกต้อง

- บนรีโมทคอนโทรลแบบไร้สาย มีเสียงบีบดังต่อเนื่องจากส่วนรับสัญญาณของเครื่องภายในอาคาร ไฟแสดงการทำงานกะพริบ
- บนรีโมทคอนโทรลแบบมีสาย ตรวจสอบรหัสที่ปรากฏบนหน้าจอ LCD

7. ทดลองเดินเครื่อง

- หากเครื่องยังไม่สามารถทำงานเป็นปกติได้หลังจากการตรวจสอบการทำงานข้างต้นแล้ว ให้ดูตารางต่อไปนี้เพื่อแก้ไขปัญหาที่สาเหตุ

อาการ		สาเหตุ
รีโมทคอนโทรลแบบมีสาย		LED 1, 2 (PCB ในเครื่องติดตั้งภายนอกอาคาร)
PLEASE WAIT	เป็นเวลาประมาณ 2 นาที หลังจากเปิดเครื่อง	หลังจาก LED 1, 2 สว่างแล้ว LED 2 ดับลง จากนั้นสว่างเฉพาะ LED 1 (การทำงานถูกต้อง)
PLEASE WAIT → รหัสแสดงความผิดปกติ	ต่อเนื่องเป็นเวลาประมาณ 2 นาที หลังจากเปิดเครื่อง	สว่างเฉพาะ LED 1 → LED 1, 2 กระพริบ
ไม่ปรากฏข้อความแสดงขึ้นมา แม้แต่ตอนกดปุ่มเปิดเครื่อง (ไฟแสดงการทำงานไม่สว่างขึ้น)		สว่างเฉพาะ LED 1 → LED 1 กระพริบสองครั้ง, LED 2 กระพริบหนึ่งครั้ง
		<ul style="list-style-type: none"> • หลังจากเปิดเครื่องประมาณ 2 นาที รีโมทจะยังไม่ทำงาน เนื่องจากระบบกำลังเตรียมเริ่มต้นการทำงาน (การทำงานถูกต้อง) • ไม่ได้เชื่อมต่อคอนเน็คเตอร์สำหรับอุปกรณ์ป้องกันของเครื่องติดตั้งภายนอกอาคาร • ต่อสายระหว่างตัวเครื่องด้านใน และตัวเครื่องด้านนอกไม่ถูกต้อง (ต่อขั้ว 1, 2, 3 ผิด) • ต่อสายระหว่างตัวเครื่องด้านใน และตัวเครื่องด้านนอกไม่ถูกต้อง (ต่อขั้ว S1, S2, S3 ผิด) • สายรีโมทคอนโทรลช็อต

หากสภาวะดังกล่าวเกิดกับรีโมทคอนโทรลไร้สาย สิ่งที่เกิดตามมามีดังนี้

- เครื่องไม่รับสัญญาณใดๆ จากรีโมทคอนโทรล
- ไฟแสดงการทำงานกะพริบ
- เสียงสัญญาณจะดังเป็นช่วงสั้นๆ

หมายเหตุ:

รีโมทจะยังไม่สามารถทำงานได้เป็นเวลาประมาณ 30 วินาที หลังจากการยกเลิกคำสั่งการเลือกฟังก์ชัน (การทำงานถูกต้อง)

รายละเอียดของ LED แต่ละตำแหน่ง (LED 1, 2, 3) ของตัวควบคุมเครื่องภายใน ดูได้จากตารางต่อไปนี้

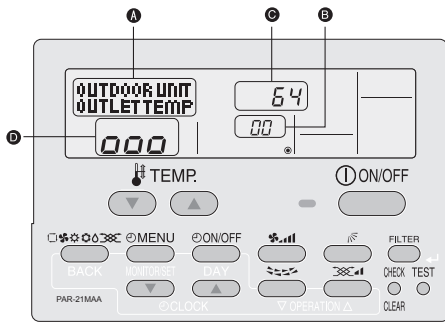
LED 1 (พลังงานไมโครคอมพิวเตอร์)	แสดงว่ามีจ่ายไฟหรือไม่ ดูให้มั่นใจว่า LED สว่างตลอดเวลา
LED 2 (พลังงานรีโมทคอนโทรล)	แสดงว่ามีจ่ายไฟเข้าสู่รีโมทคอนโทรลหรือไม่ LED นี้สว่างเฉพาะในกรณีของเครื่องภายในอาคารที่เชื่อมต่อกับเครื่องติดตั้งภายนอกอาคารที่มีคำสั่งทำความเย็นเป็น 0
LED 3 (การสื่อสารระหว่างเครื่องภายในอาคารและเครื่องติดตั้งภายนอกอาคาร)	ระบุสถานะของการสื่อสารระหว่างเครื่องภายในอาคารและเครื่องติดตั้งภายนอกอาคาร ต้องตรวจสอบให้ LED นี้กะพริบอยู่เสมอ

8. การควบคุมระบบ (สำหรับการใช้งาน PUY เท่านั้น)

ดูรายละเอียดจากคู่มือการติดตั้งเครื่องติดตั้งภายนอกอาคาร

9. ฟังก์ชันบำรุงรักษาอย่างง่าย (สำหรับการใช้งาน PUY เท่านั้น)

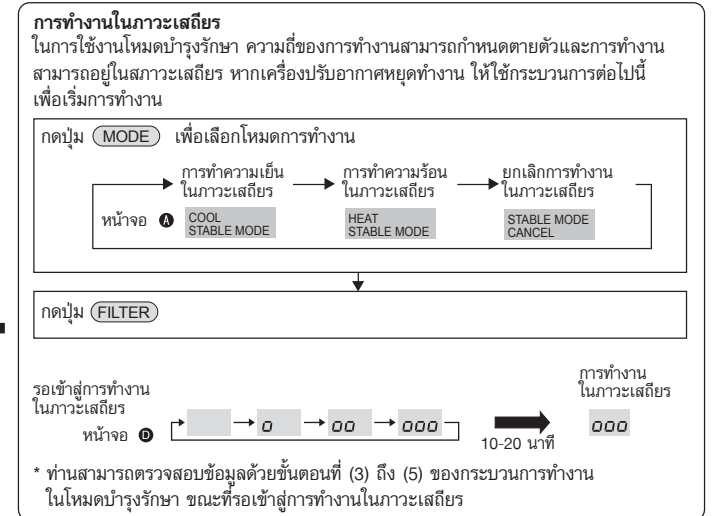
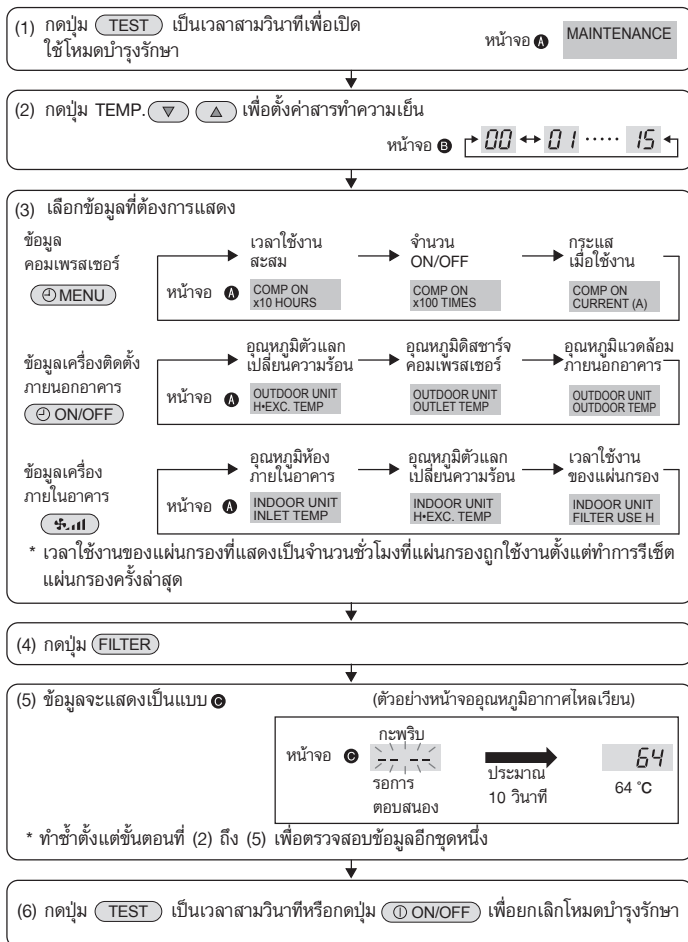
ตัวอย่างหน้าจอ (อุณหภูมิตัวเครื่องคอมเพรสเซอร์ 64 °C)



ด้วยการใช้โหมดบำรุงรักษา ท่านสามารถแสดงข้อมูลการบำรุงรักษาชนิดต่างๆ ได้บนรีโมทคอนโทรล อย่างเช่น อุณหภูมิตัวแลกเปลี่ยนความร้อนและการใช้กระแสของคอมเพรสเซอร์ สำหรับเครื่องภายในอาคารและเครื่องติดตั้งภายนอกอาคาร ฟังก์ชันนี้สามารถใช้งานได้ไม่ว่าเครื่องปรับอากาศกำลังทำงานหรือไม่ ระหว่างเครื่องปรับอากาศทำงาน สามารถตรวจสอบข้อมูลได้ทั้งระหว่างการทำงานปกติหรือการทำงานในภาวะเสถียรของโหมดบำรุงรักษา

- * ฟังก์ชันนี้ไม่สามารถใช้งานระหว่างทดลองเดินเครื่อง
- * ฟังก์ชันนี้จะสามารถใช้งานได้หรือไม่ขึ้นอยู่กับเครื่องติดตั้งภายนอกอาคารที่เชื่อมต่อกับดูรายละเอียดจากแผ่นพับ

ขั้นตอนการทำงานของโหมดบำรุงรักษา



Please be sure to put the contact address/telephone number on
this manual before handing it to the customer.

mitsubishi **ELECTRIC CORPORATION**
HEAD OFFICE: TOKYO BUILDING, 2-7-3, MARUNOUCHI, CHIYODA-KU, TOKYO 100-8310, JAPAN